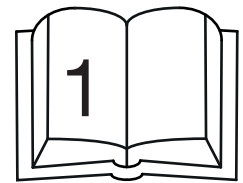
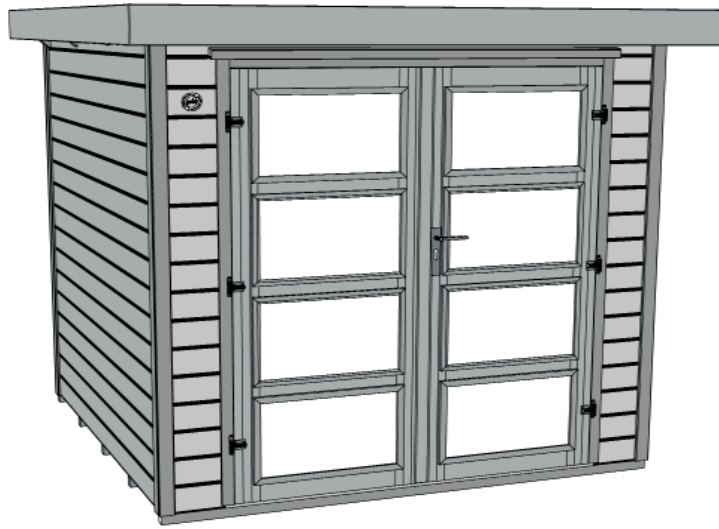




www.weka-holzbau.com



Massivholz-Haus



Art.-Nr.: 321.2020.20050

Art.-Nr.: 321.2520.20050

Art.-Nr.: 321.3020.20050

Art.-Nr.: 321.2525.20050

Art.-Nr.: 321.3025.20050

Montage-, Bedienungs- und Wartungsanleitung



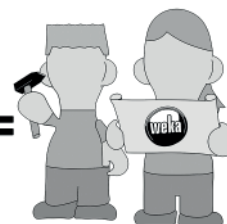
800.0286.17.65


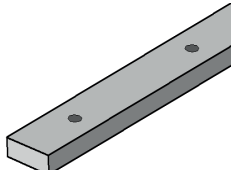
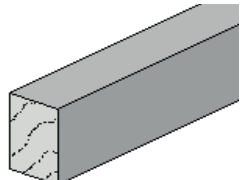
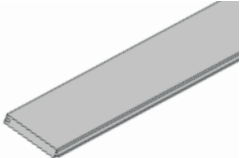
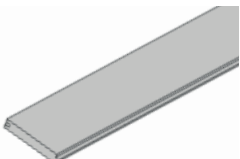
+

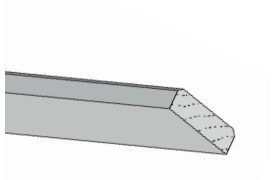
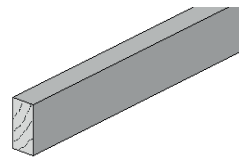
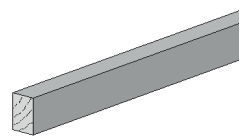
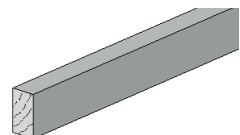
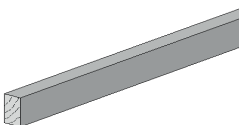
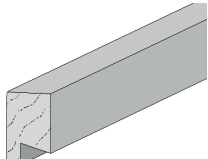


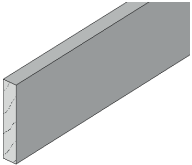
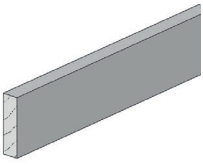
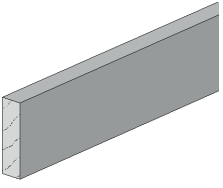
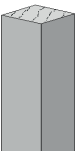
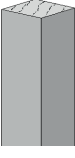
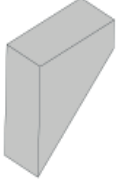
800.0286.20.02


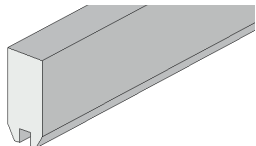
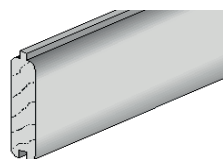
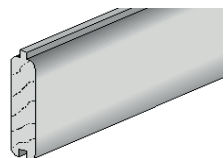
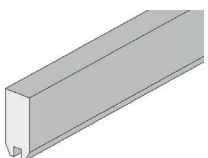
=














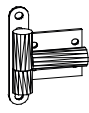


Pos	Bild	Abmessung (mm)	Anzahl (Stück)					
			321.2020.	321.2520.	321.2525.	321.3020.	321.3025	
-	-	-	-	-	-	-	-	-
②	A100.12.6731 	154 x 180	1	1	1	1	1	
③	K127.1515.0002 	5/15/1500	1	1	1	1	1	
④	R002.0660... 	40/40/1978 40/40/2538 40/40/2988	5 - -	- 5 -	- 6 -	- - 5	- - 6	
⑤	R002.0091.2350 R002.0091.2910 	15,5/96/2350 15,5/96/2910	25 -	31 -	- 32	37 -	- 37	
⑥	R002.0091.1902 R002.0091.2462 	15,5/96/1902 15,5/96/2462	22 -	29 -	- 29	34 -	- 34	

Pos	Bild	Abmessung (mm)	Anzahl (Stück)				
			321.2020.	321.2520.	321.2525.	321.3020.	321.3025
7	R002.0400.2040 	11/58/2040	8	8	8	8	8
8	R002.0530.1920 	15/45/1920	10	10	11	12	12
9	G122.01.0003 	15/21/1805	1	1	1	1	1
10	R002.0500.2000 	15/25/2000	2	2	2	2	2
11	G530.02.0039 	14/14/1300	2	2	2	2	2
12	R002.0883.1580 	35/60/1580	1	1	1	1	1

Pos	Bild	Abmessung (mm)	Anzahl (Stück)				
			321.2020.	321.2520.	321.2525.	321.3020.	321.3025
13		18,5/146/1610 18,5/146/2050 18,5/146/2405 18,5/146/2840	- - 3 -	- - 2 1	4 - - 1	- 2 2 -	4 2 - -
14		28/121/1940	2	-	-	-	-
15		R002.0350.2500 R002.0350.2950 45/146/2500 45/146/2950	- -	2 -	3 -	- 2	- 3
16		R002.0196.2000 34/34/2000	4	4	4	4	4
17		R002.0196.0180 34/34/180	10	8	12	8	12
18		G330.06.0007 45/100/120	8	8	10	8	10

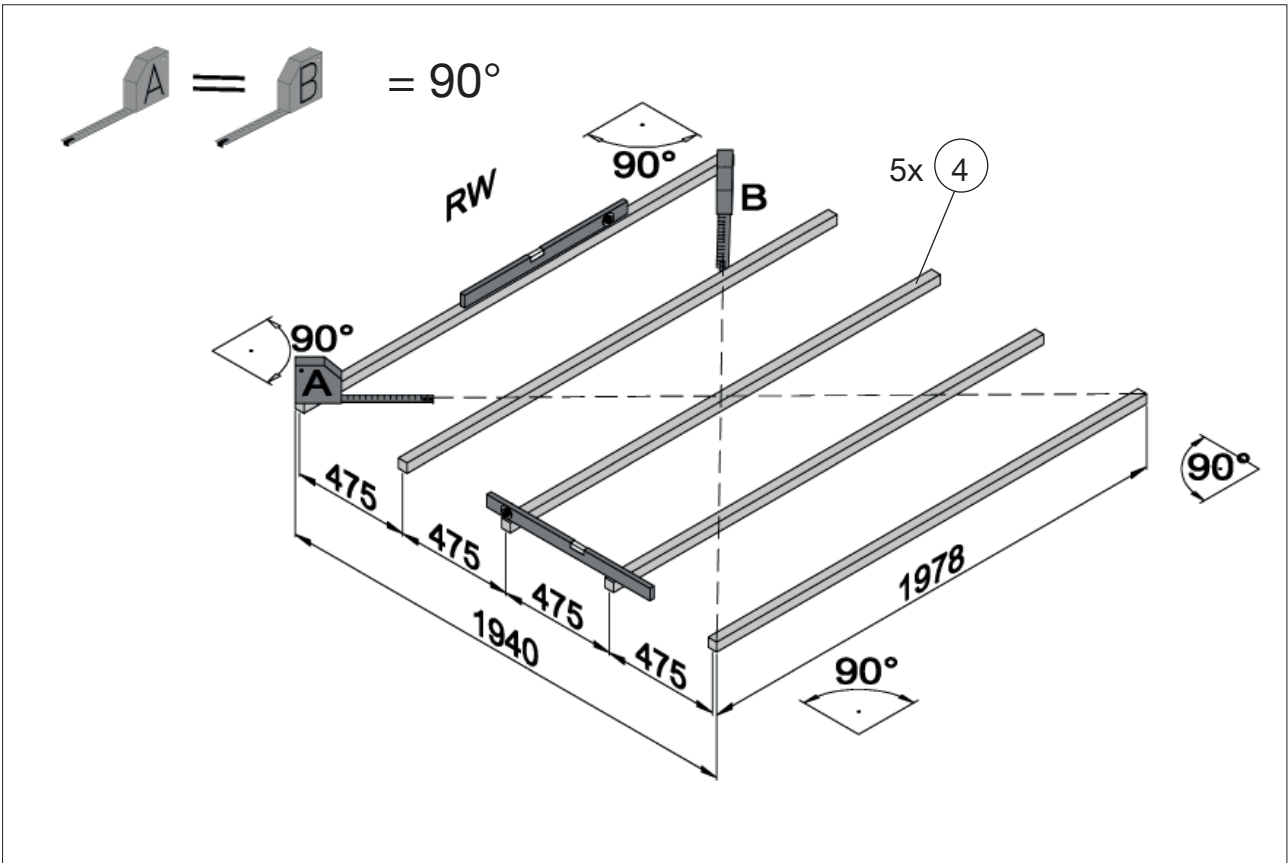
Pos	Bild	Abmessung (mm)	Anzahl (Stück)				
			321.2020.	321.2520.	321.2525.	321.3020.	321.3025
19	<p>G321.01.0002 G321.01.0003</p> 	<p>19/58/1940 19/58/2500</p>	<p>2 -</p>	<p>2 -</p>	<p>- 2</p>	<p>2 -</p>	<p>- 2</p>
20	<p>G321.01.0005 G321.01.0006 G321.01.0007</p> 	<p>19/58/1940 19/58/2500 19/58/2950</p>	<p>1 - -</p>	<p>- 1 -</p>	<p>- 1 -</p>	<p>- - 1</p>	<p>- - 1</p>
21	<p>R002.06.0215 R002.06.0495 R002.06.0720</p> 	<p>19/121/215 19/121/495 19/121/720</p>	<p>32 - -</p>	<p>- 32 -</p>	<p>- 32 -</p>	<p>- - 32</p>	<p>- - 32</p>
22	<p>R002.06.1940 R002.06.2500 R002.06.2950</p> 	<p>19/121/1940 19/121/2500 19/121/2950</p>	<p>52 - -</p>	<p>34 18 -</p>	<p>- 52 -</p>	<p>34 - 18</p>	<p>- 34 18</p>
23	<p>G105.01.0006</p> 	<p>28/60/300</p>	<p>4</p>	<p>4</p>	<p>4</p>	<p>4</p>	<p>4</p>

M321.001				Anzahl (Stück)				
Pos	Bild	Abmessung (mm)	321.2020.	321.2520.	321.2525.	321.3020.	321.3025	
M1	K001.6040.0004 	4,0 x 60	50	50	50	50	50	
M2	K001.4040.0004 	4,0 x 40	400	400	400	400	400	
M3	K001.3035.0004 	3,5 x 30	200	200	200	200	200	
M4	K010.5022.0001 	2,2 x 55	800	800	800	800	800	
-	-	-	-	-	-	-	-	
M6	K100.1010.0001 	Ø 65	1	1	1	1	1	
M7	K002.1625.0001 	2,5 x 16	2	2	2	2	2	
M100.092								
Pos	Bild	Abmessung (mm)						
M1	K001.1635.0004 	3,5 x 16	16	16	16	16	16	
M2	K001.3035.0004 	3,5 x 30	90	90	90	90	90	
M3	K001.4040.0004 	4,0 x 40	25	25	25	25	25	
M4	K001.5040.0004 	4,0 x 50	4	4	4	4	4	

Pos	Bild	Abmessung (mm)	Anzahl (Stück)				
			321.2020.	321.2520.	321.2525.	321.3020.	321.3025
M5	K036.3135.0001 	0/0/65	1	1	1	1	1
M6	K037.0840.0000 	0/40/40	6	6	6	6	6
M7	K045.1270.0001 		1	1	1	1	1
M8	K050.5010.0001 	0/50/100	2	2	2	2	2

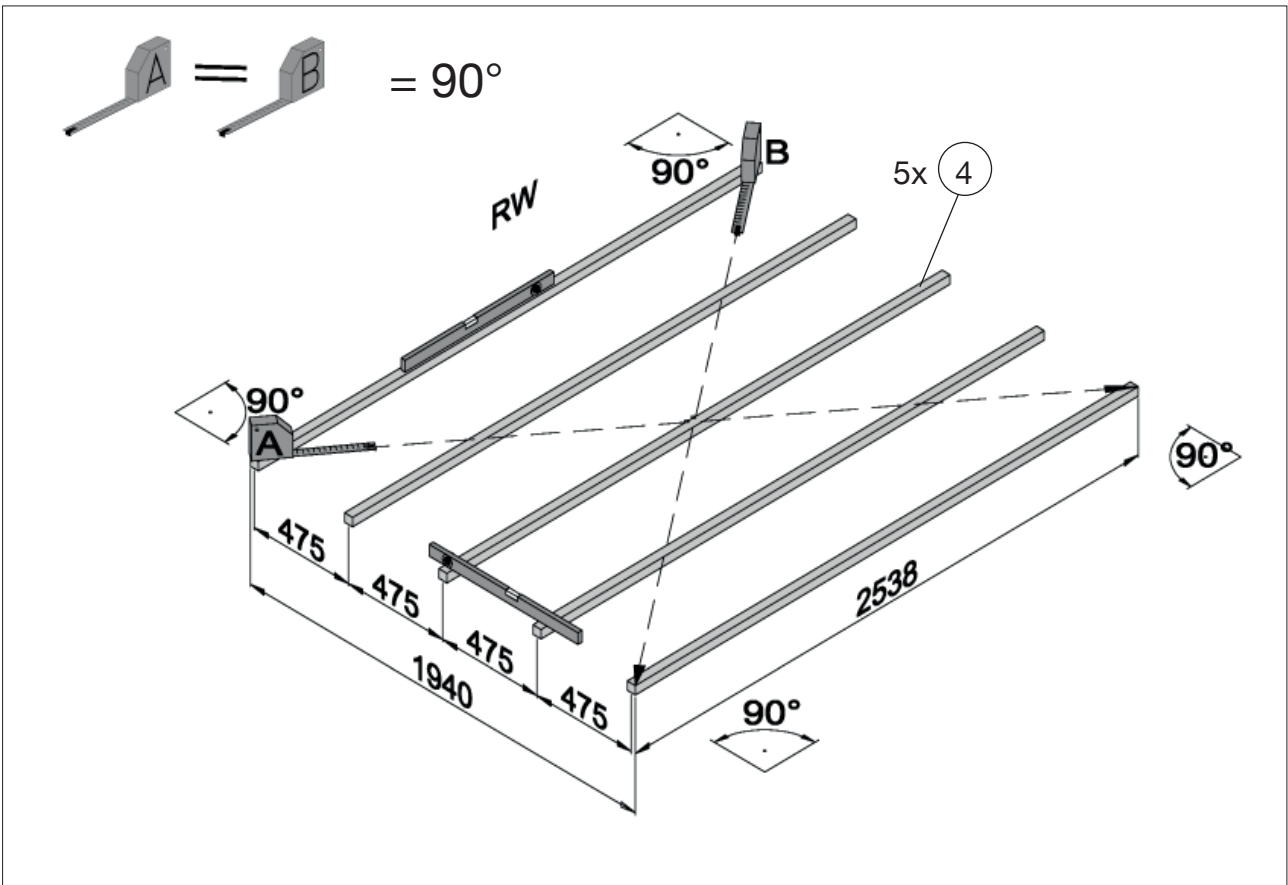
1

Art.-Nr.: 321.2020.20050



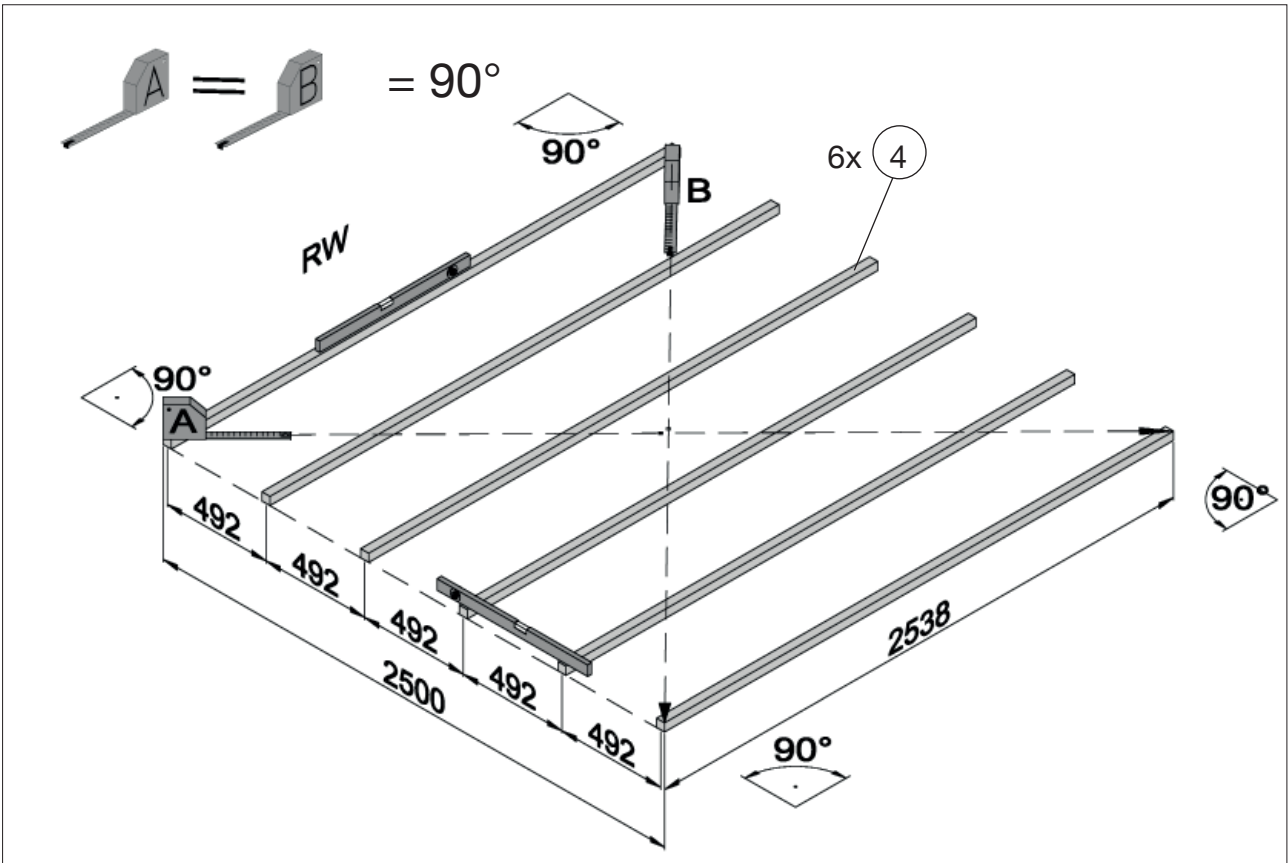
1

Art.-Nr.: 321.2520.20050



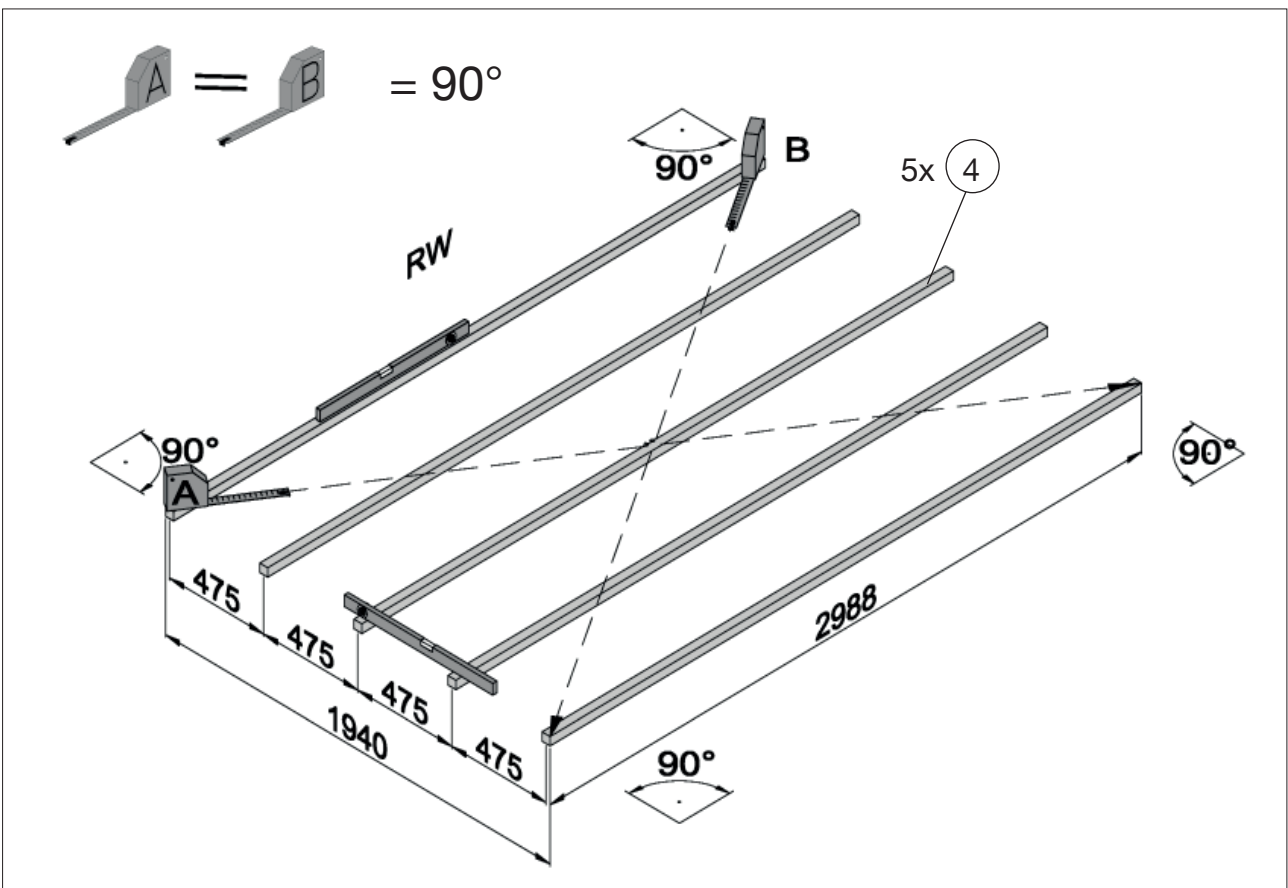
1

Art.-Nr.: 321.2525.20050

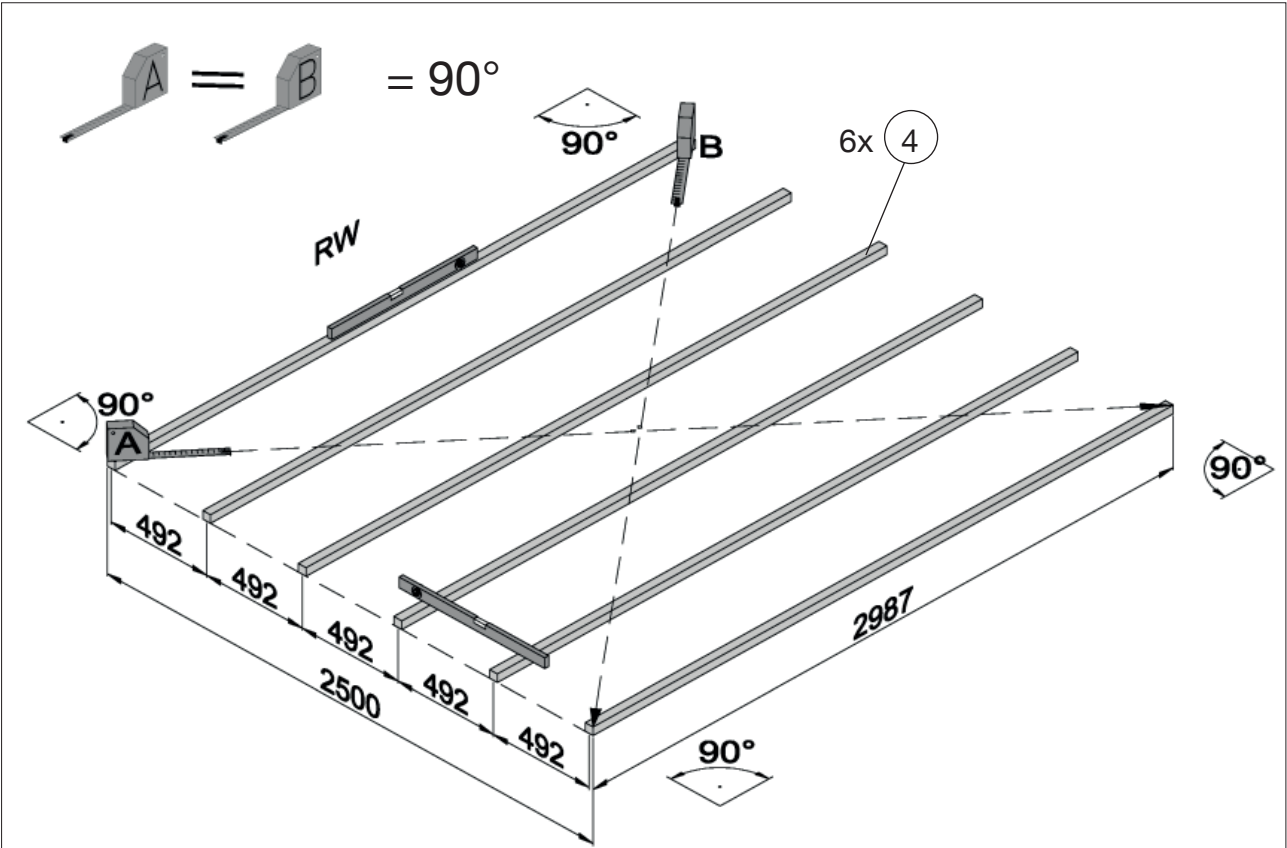


1

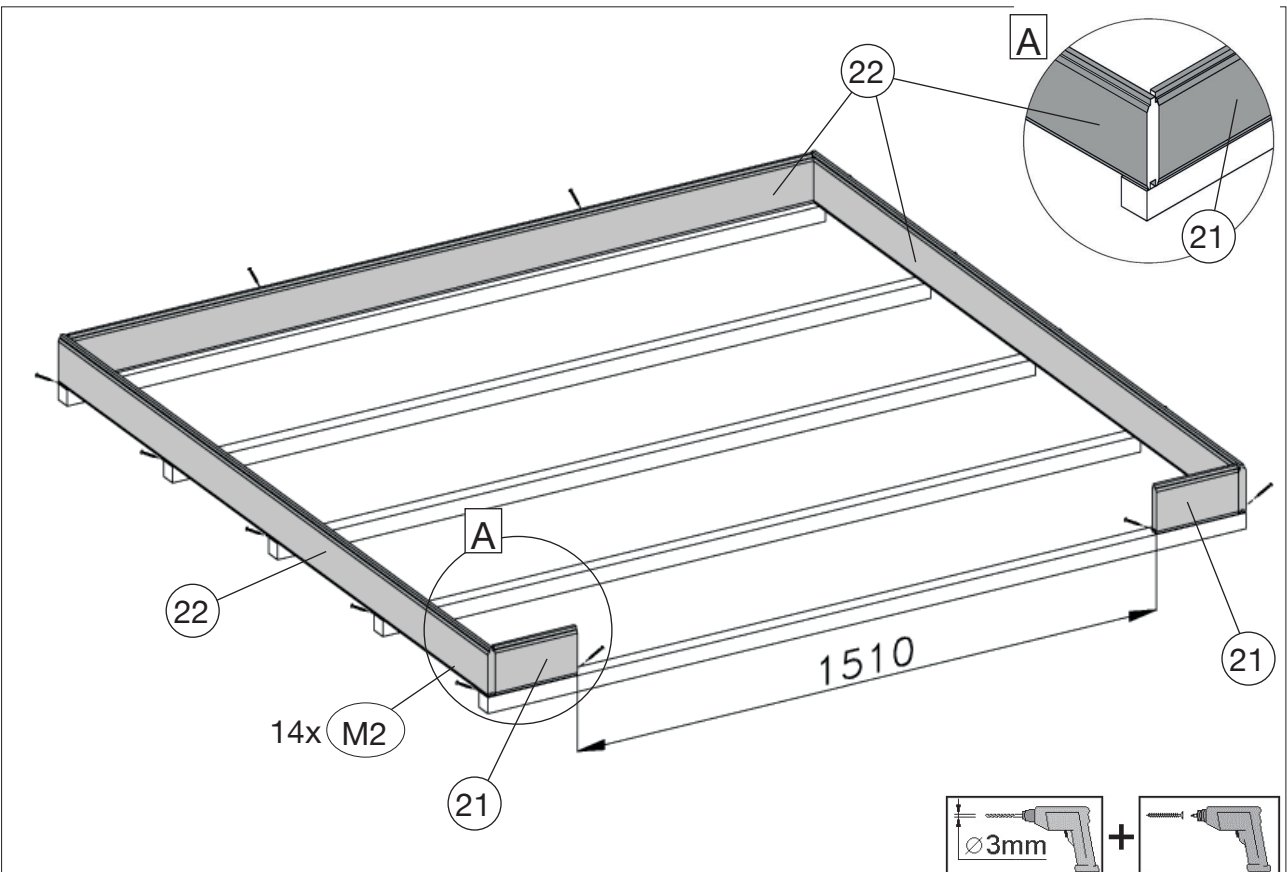
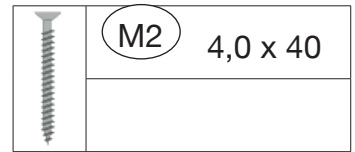
Art.-Nr.: 321.3020.20050




1 Art.-Nr.: 321.3025.20050

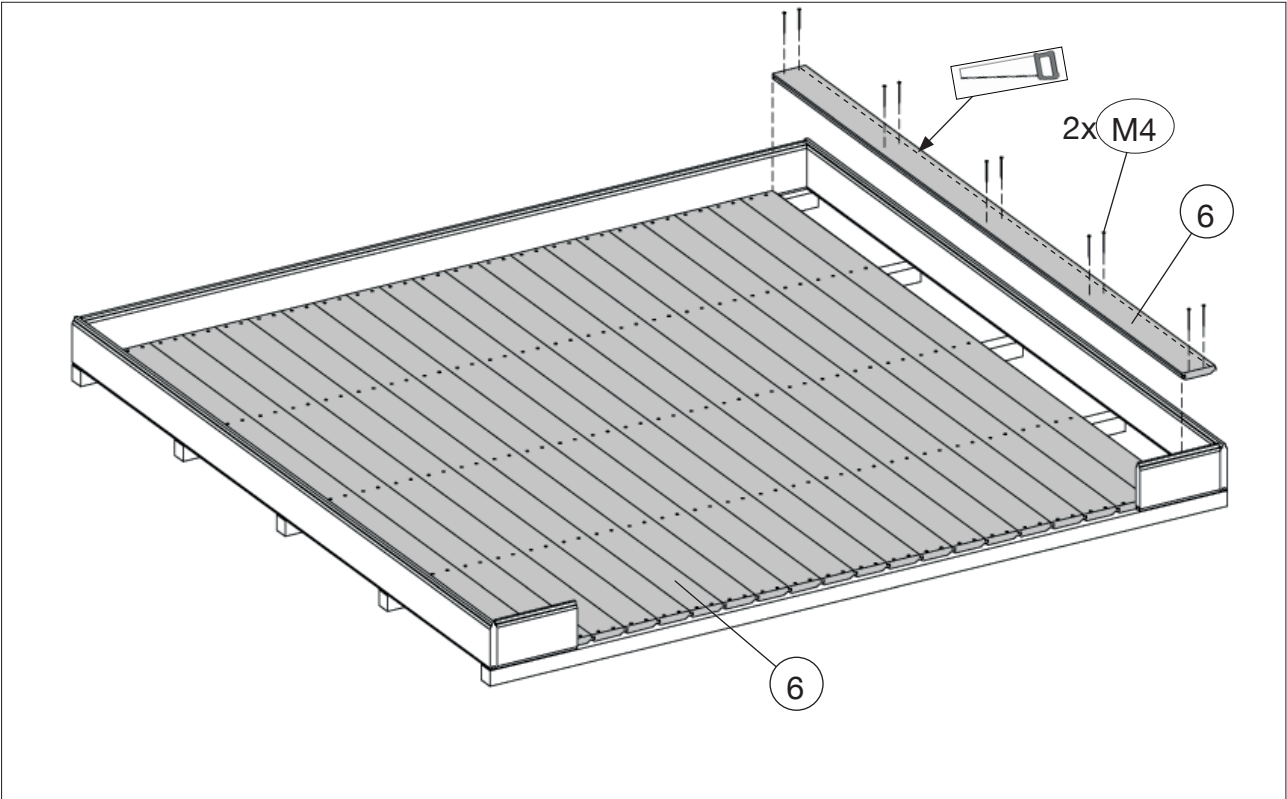


2 Art.-Nr.: 321.2020.20050



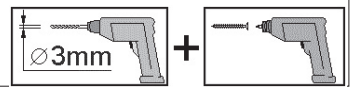
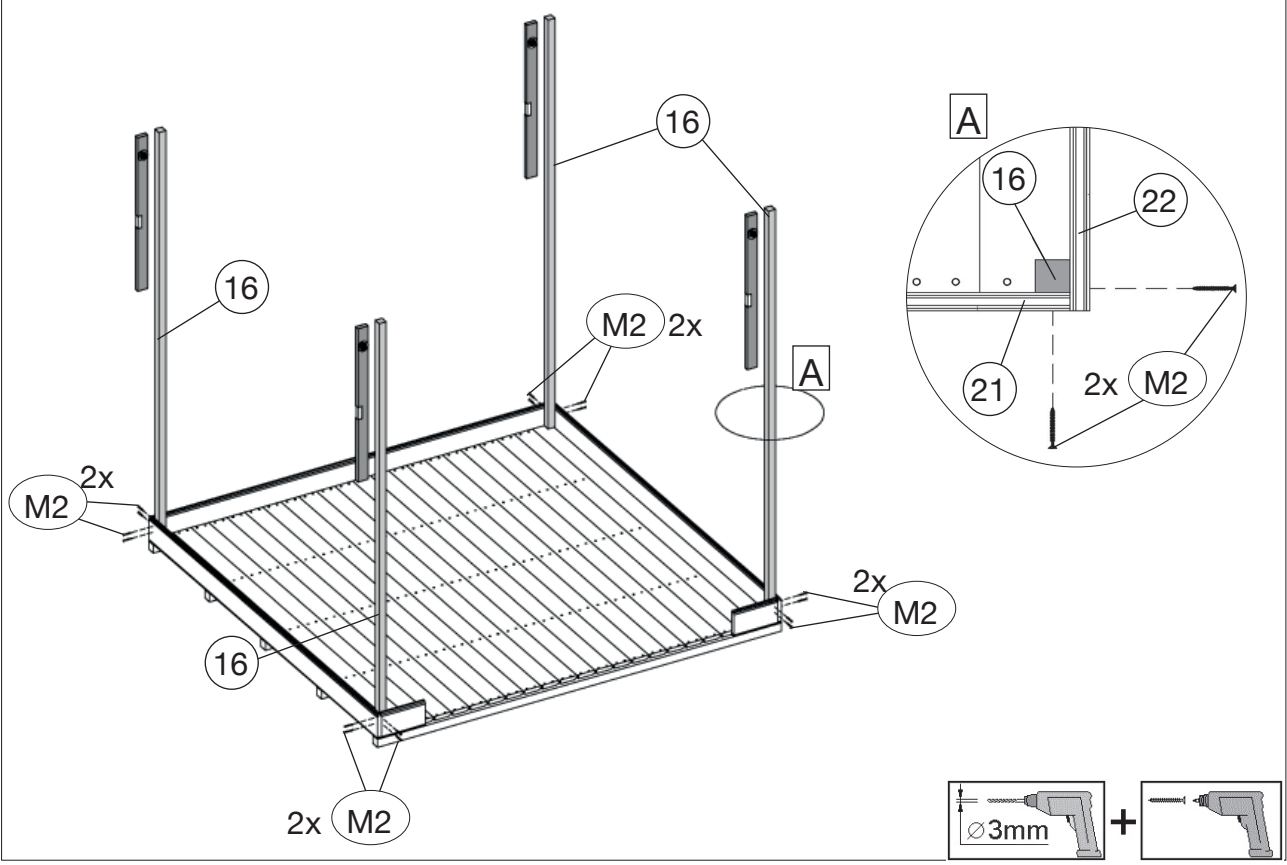
3 Art.-Nr.: 321.2020.20050

	M4	2,2 x 55




4 Art.-Nr.: 321.2020.20050

	M2	4,0 x 40



5

	M1	4,0 x 60
	M2	4,0 x 40

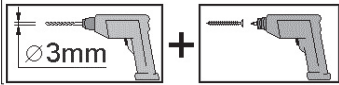
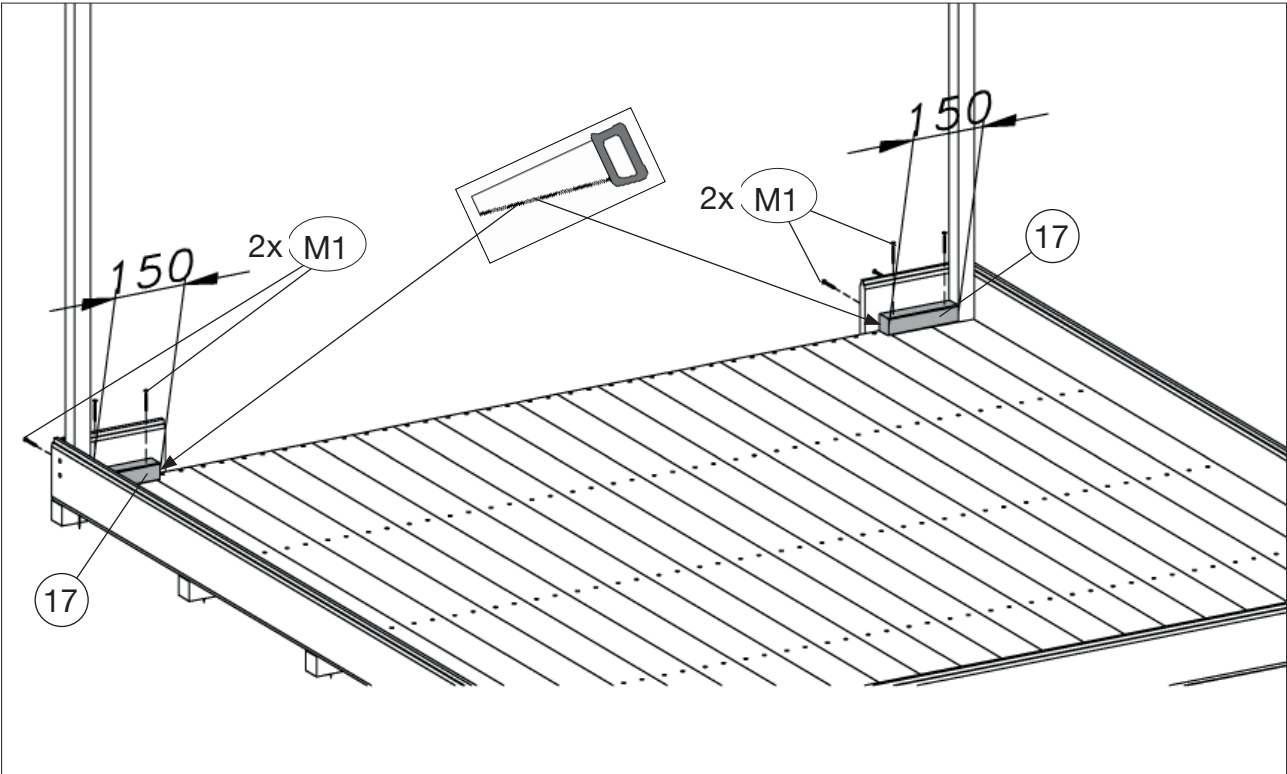


Abb.: 321.2020.20050

6

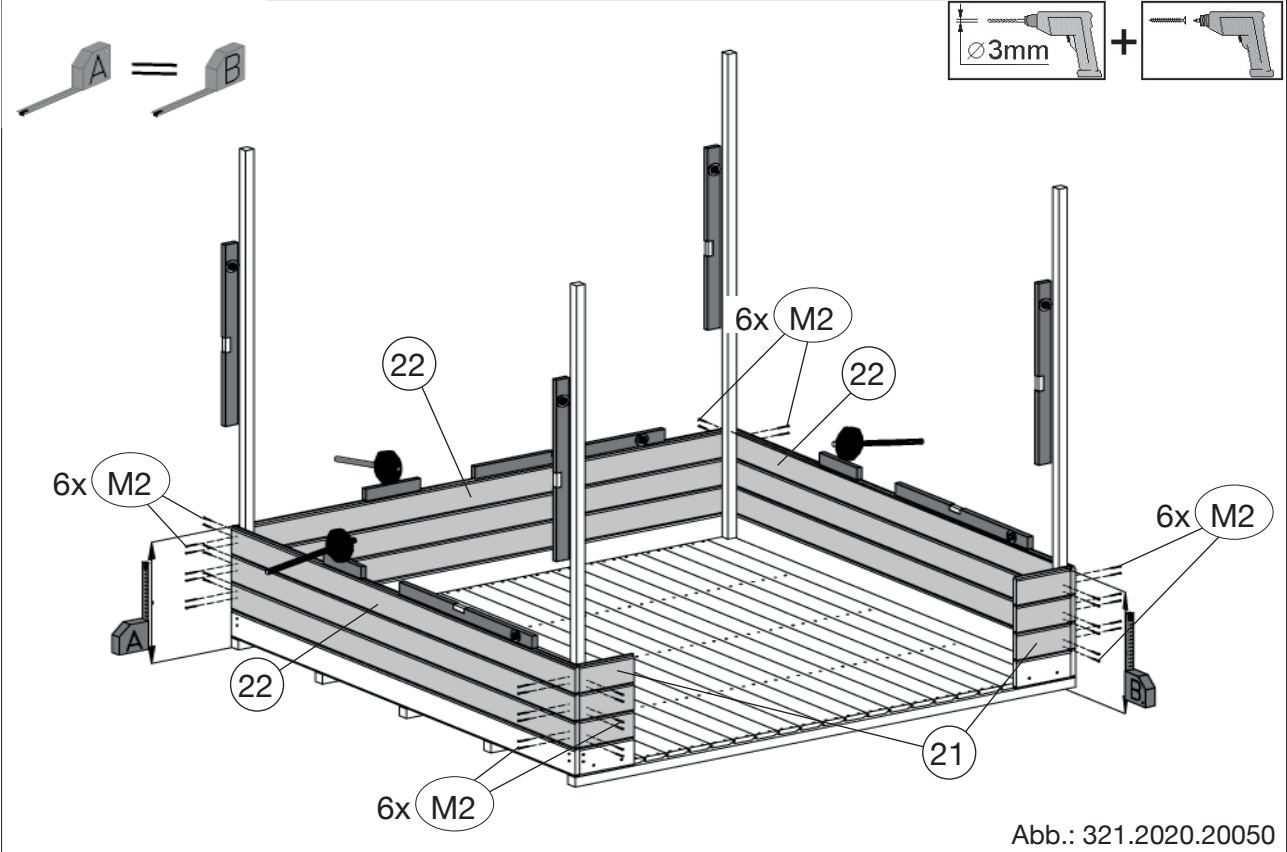
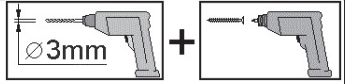
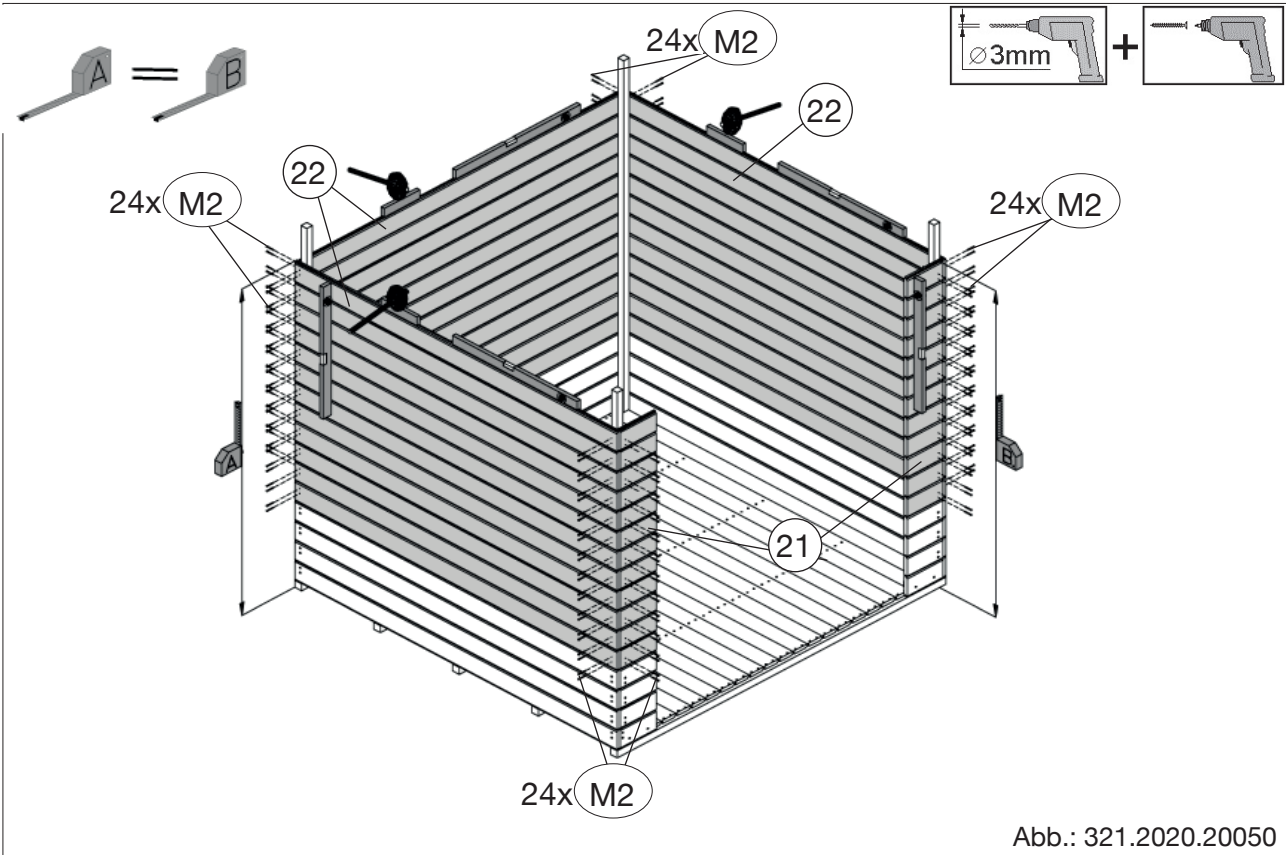
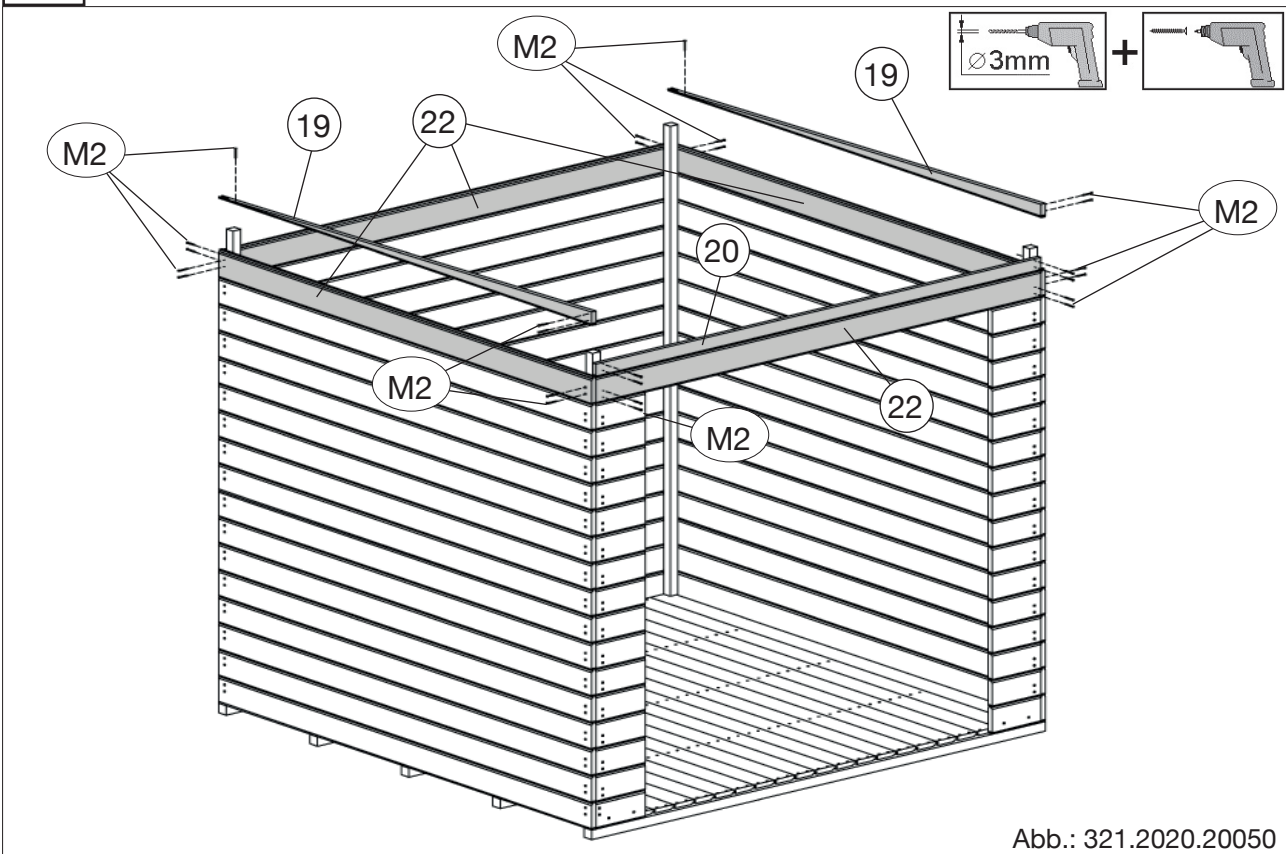


Abb.: 321.2020.20050

7 Art.-Nr.: 321.2020.20050



8 Art.-Nr.: 321.2020.20050



9

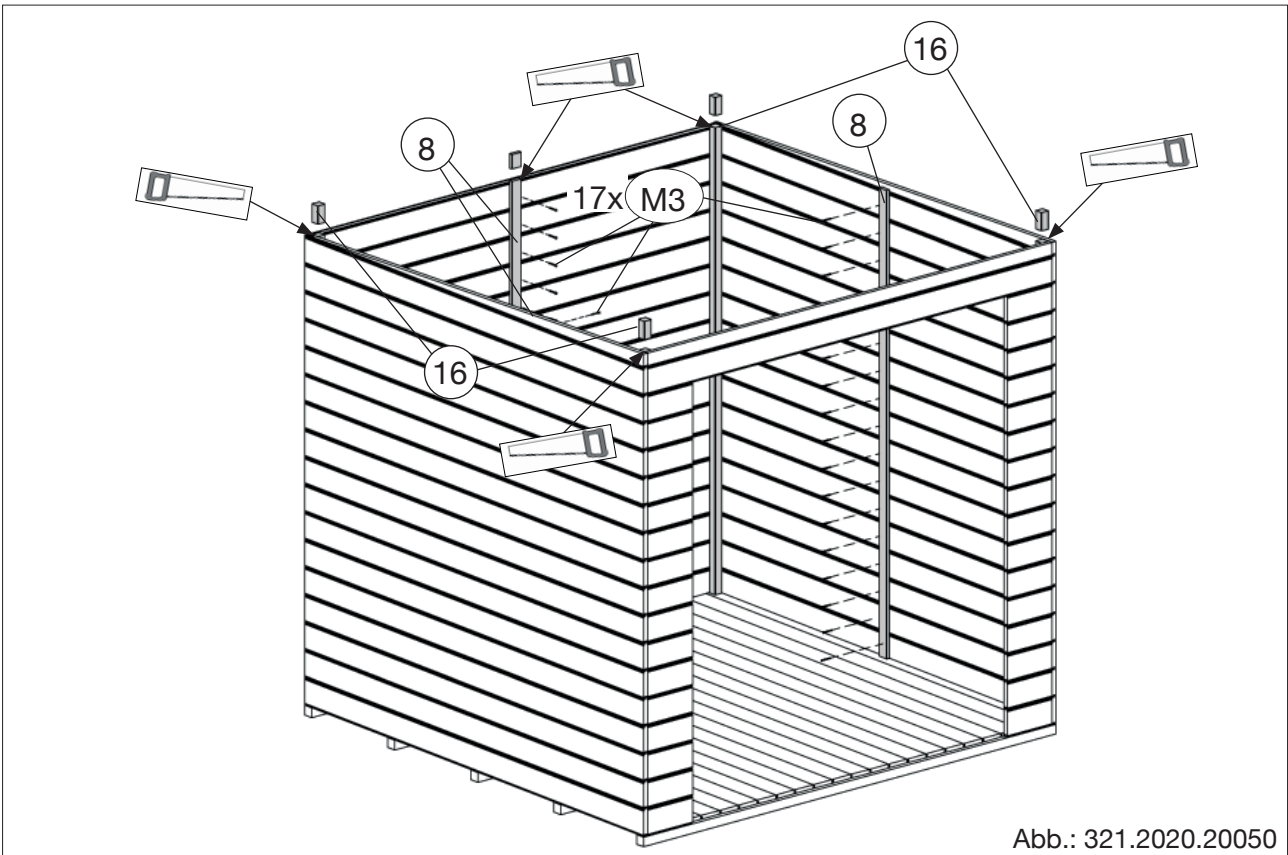
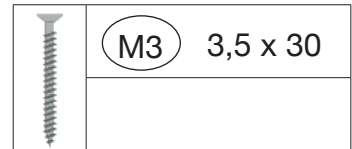


Abb.: 321.2020.20050

10

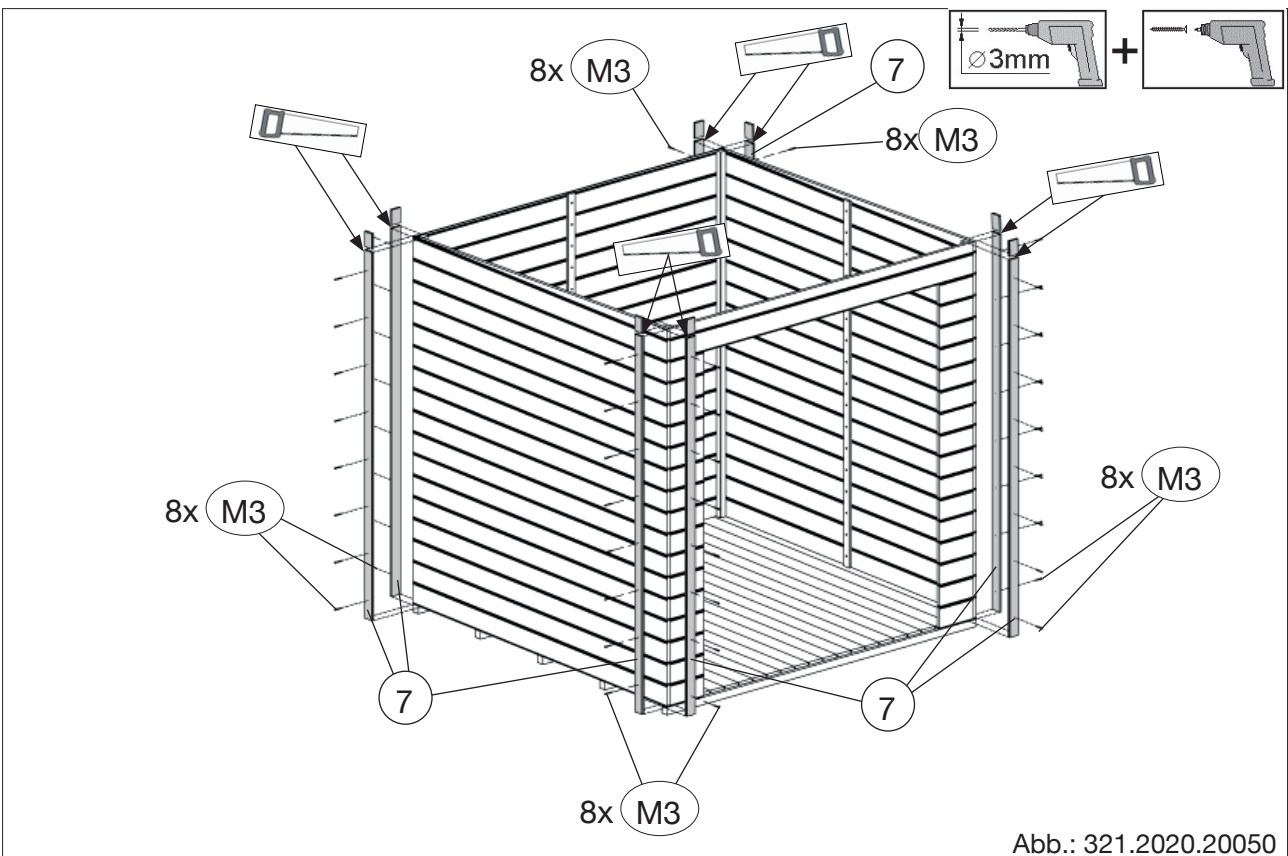


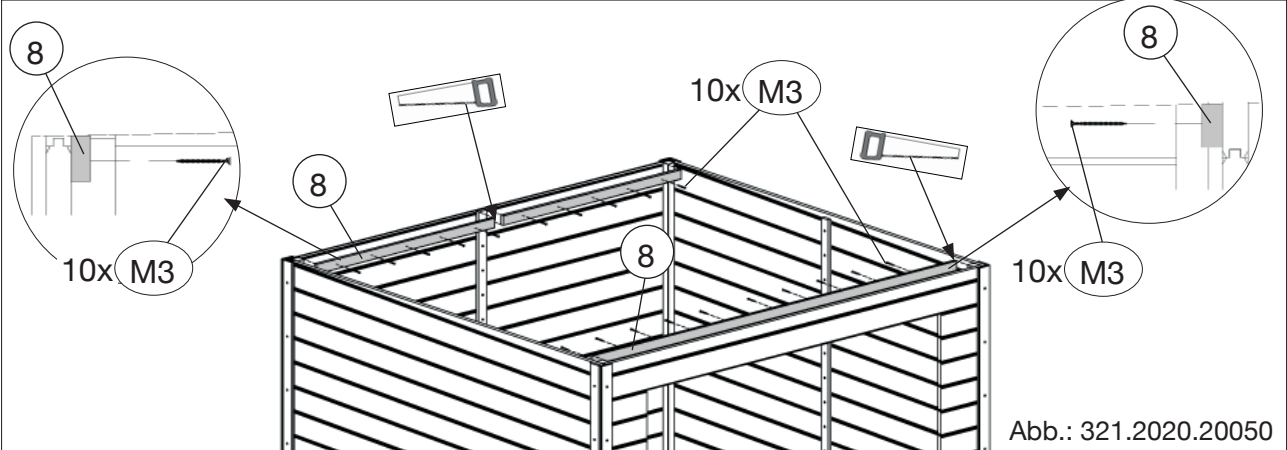


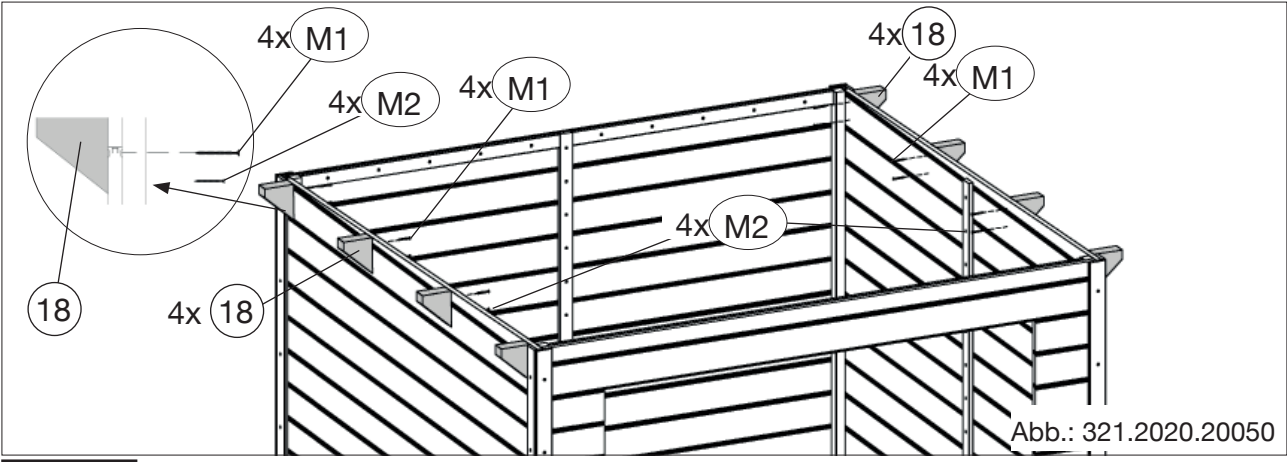
Abb.: 321.2020.20050

11 Art.-Nr.: 321.2525.20050

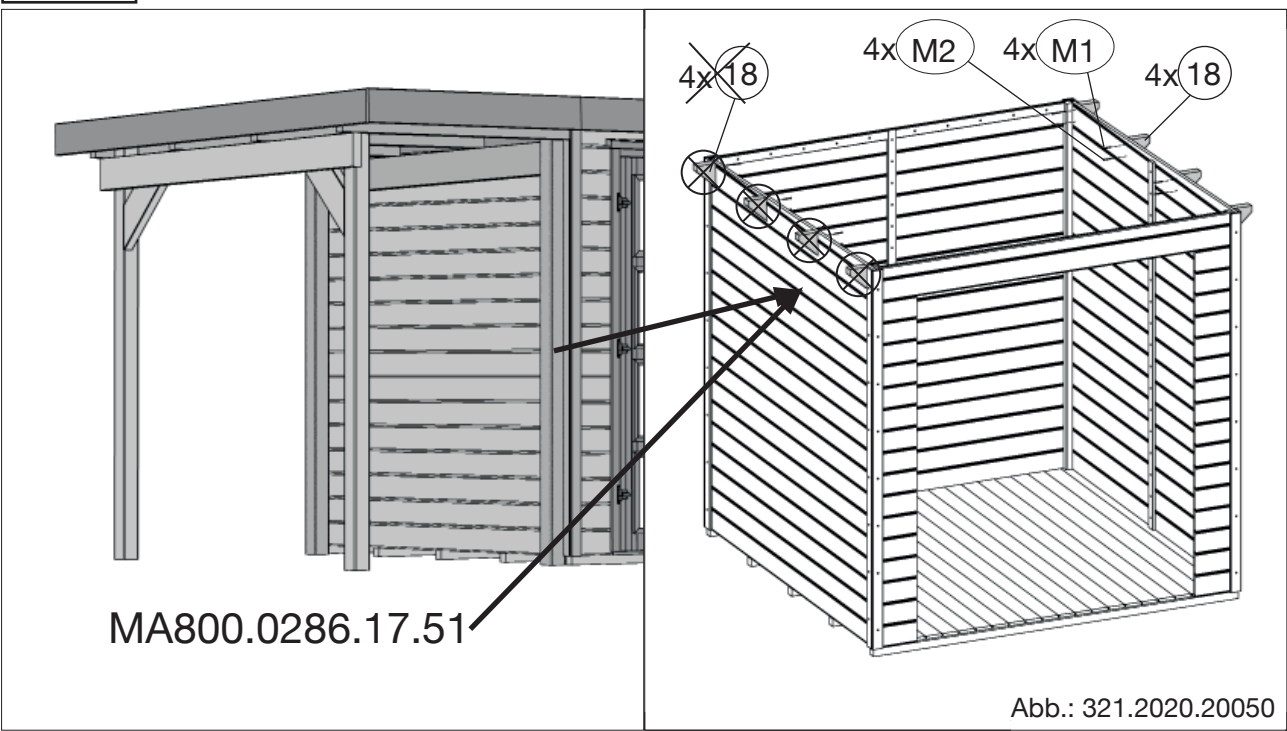
	M1	4,0 x 60		M3	3,5 x 30
	M2	4,0 x 40			





12.a Art.-Nr.: 321.2020.20050

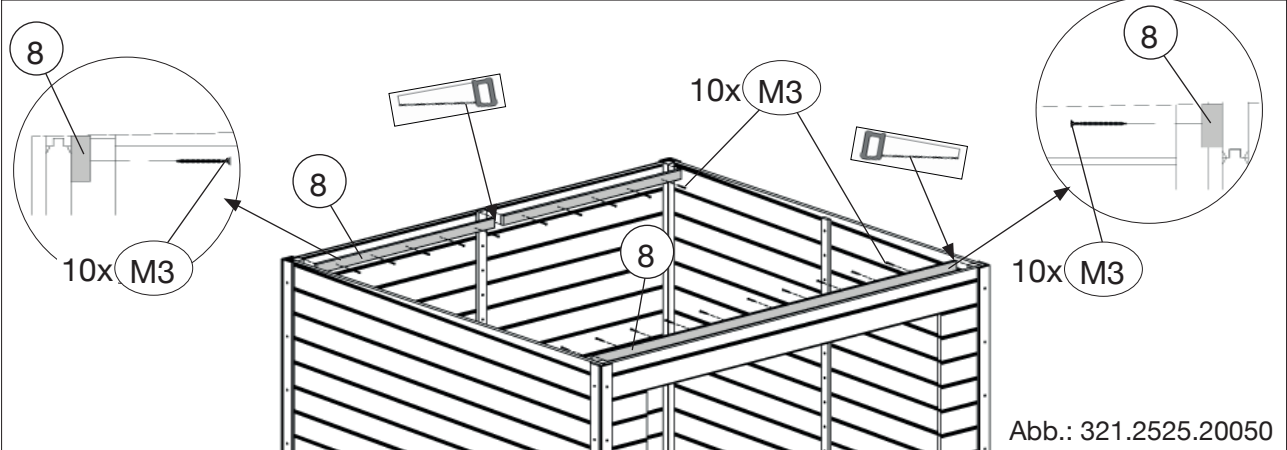


12.b Art.-Nr.: 321.2020.- / 321.2520.- / 321.3020.20150 / 20250

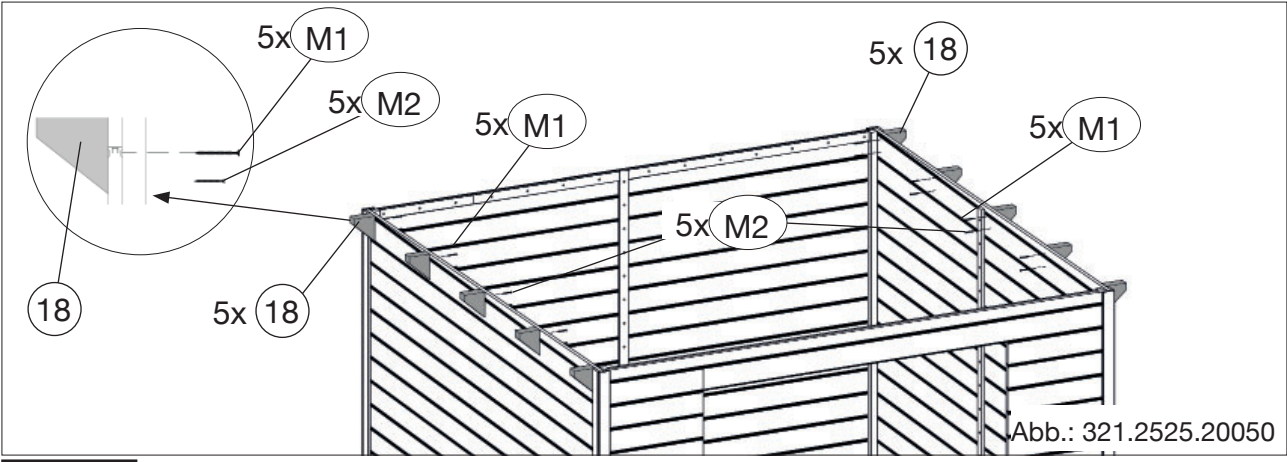


11 Art.-Nr.: 321.2525.20050

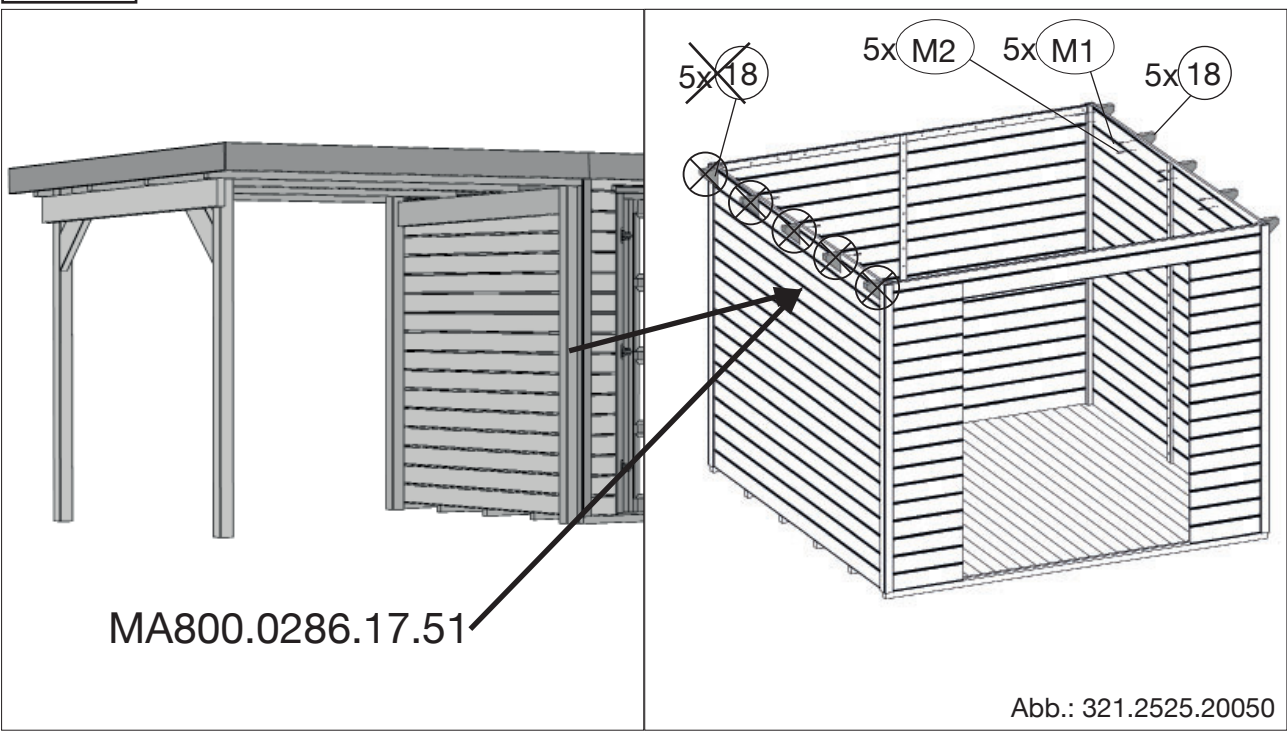
	M1	4,0 x 60		M3	3,5 x 30
	M2	4,0 x 40			



12.a Art.-Nr.: 321.2525.20050




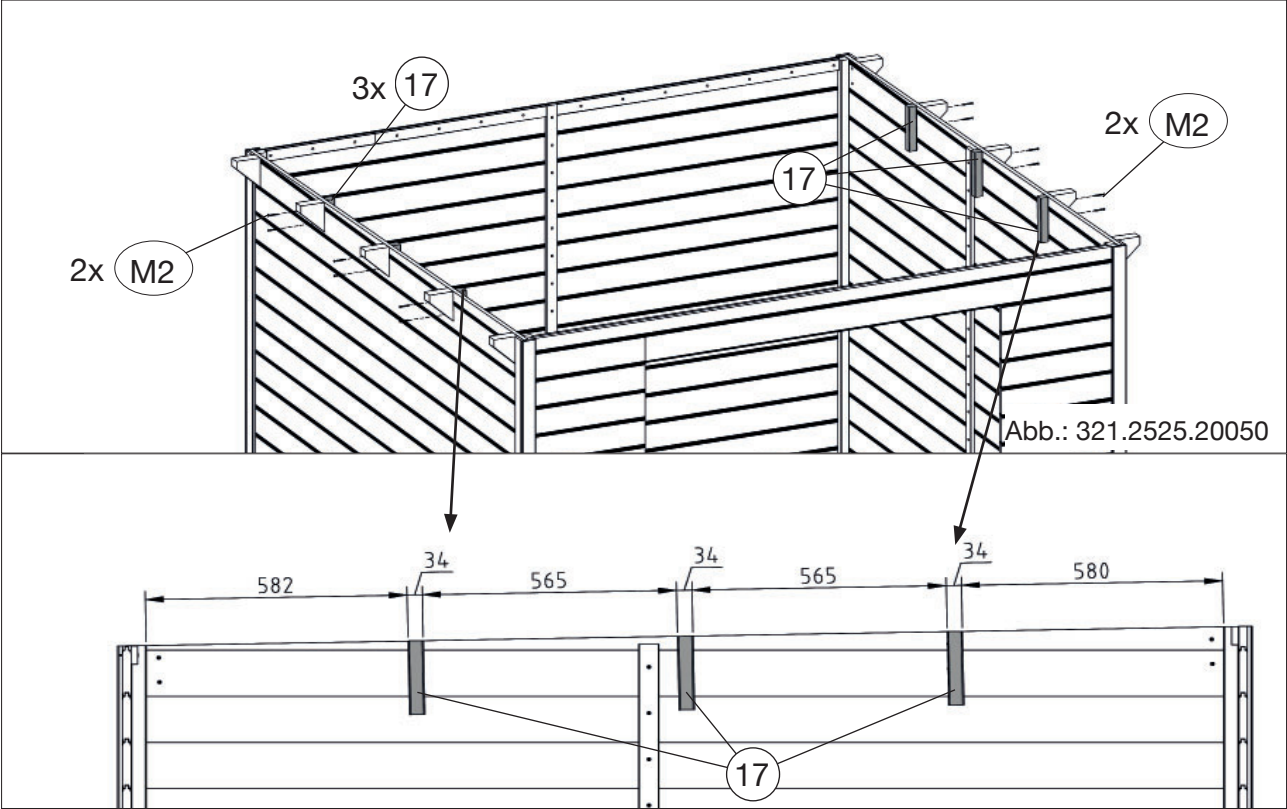
12.b Art.-Nr.: 321.2525.- / 321.3025.20150/ 20250



13

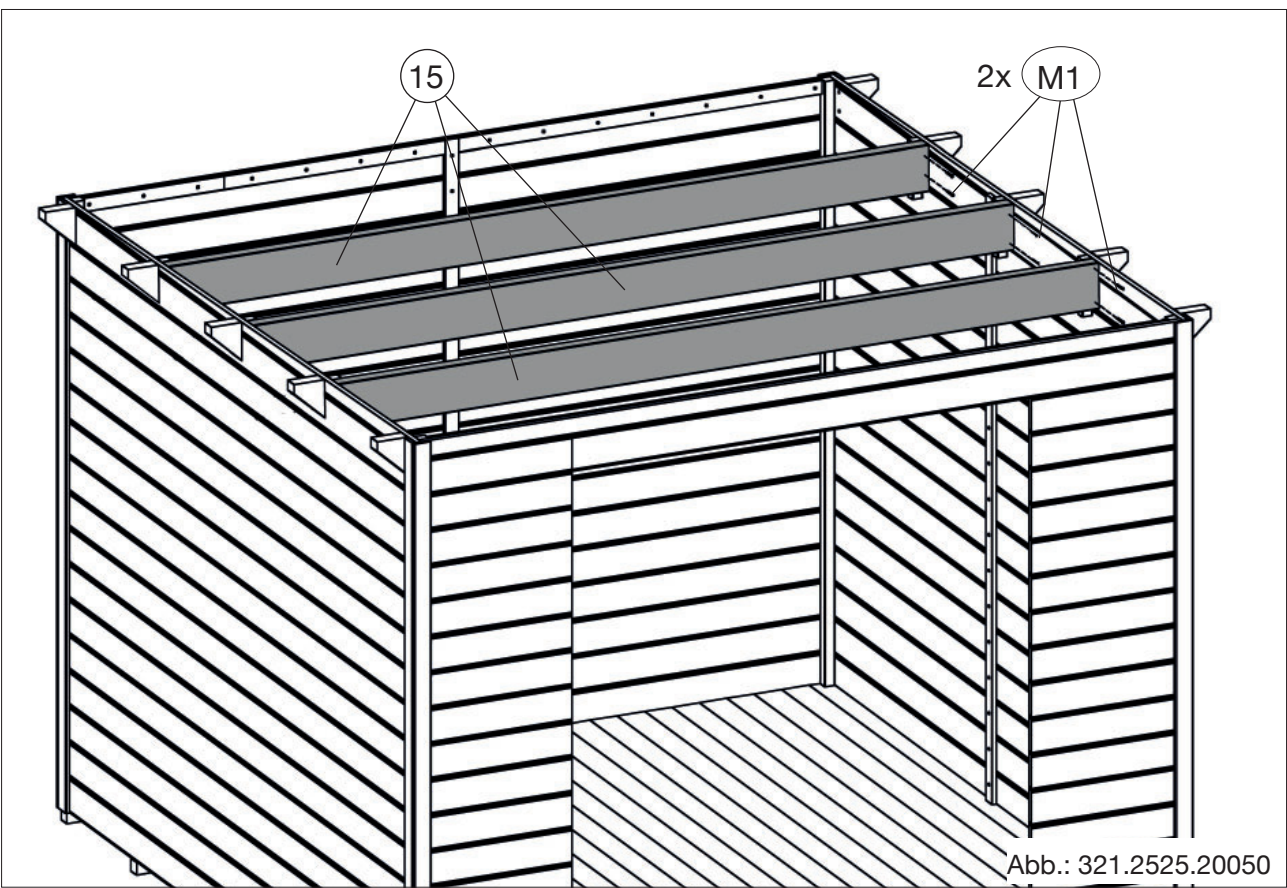
Art.-Nr.: 321.2525.20050

	M1	4,0 x 60
	M2	4,0 x 40




14

Art.-Nr.: 321.2525.20050



13

Art.-Nr.: 321.3025.20050

	M1	4,0 x 60
	M2	4,0 x 40

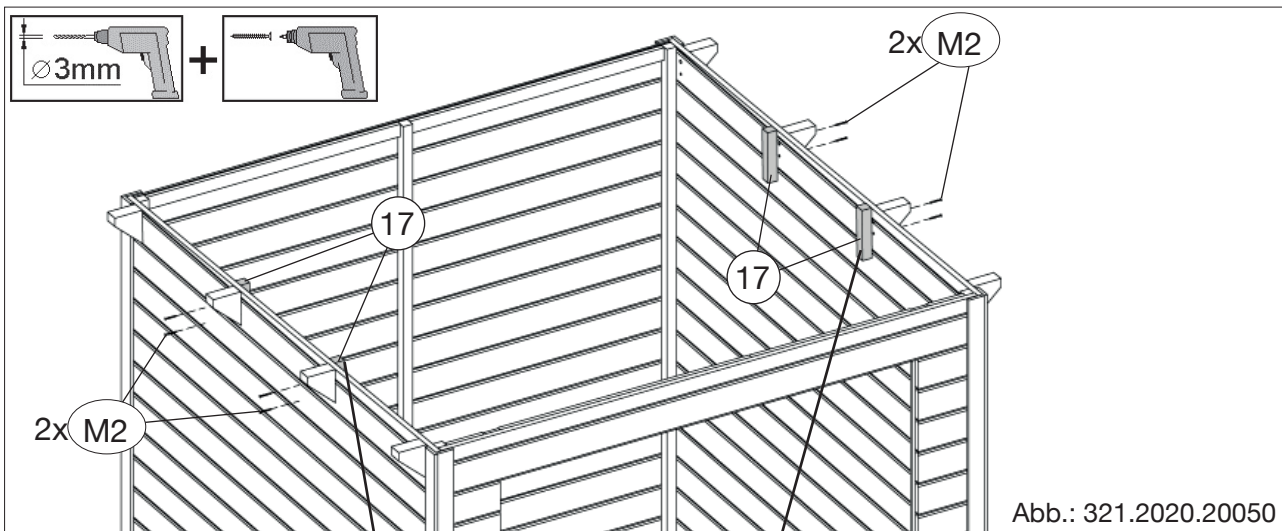
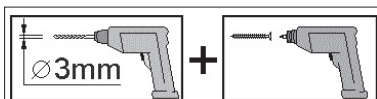
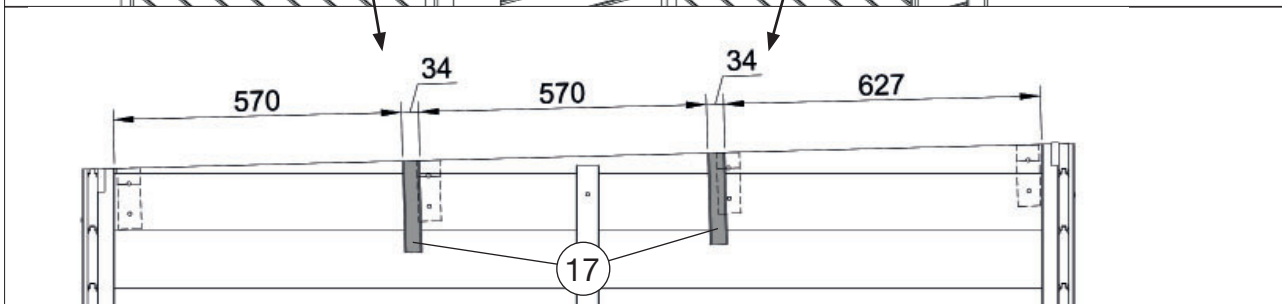


Abb.: 321.2020.20050



14

Art.-Nr.: 321.2020.20050

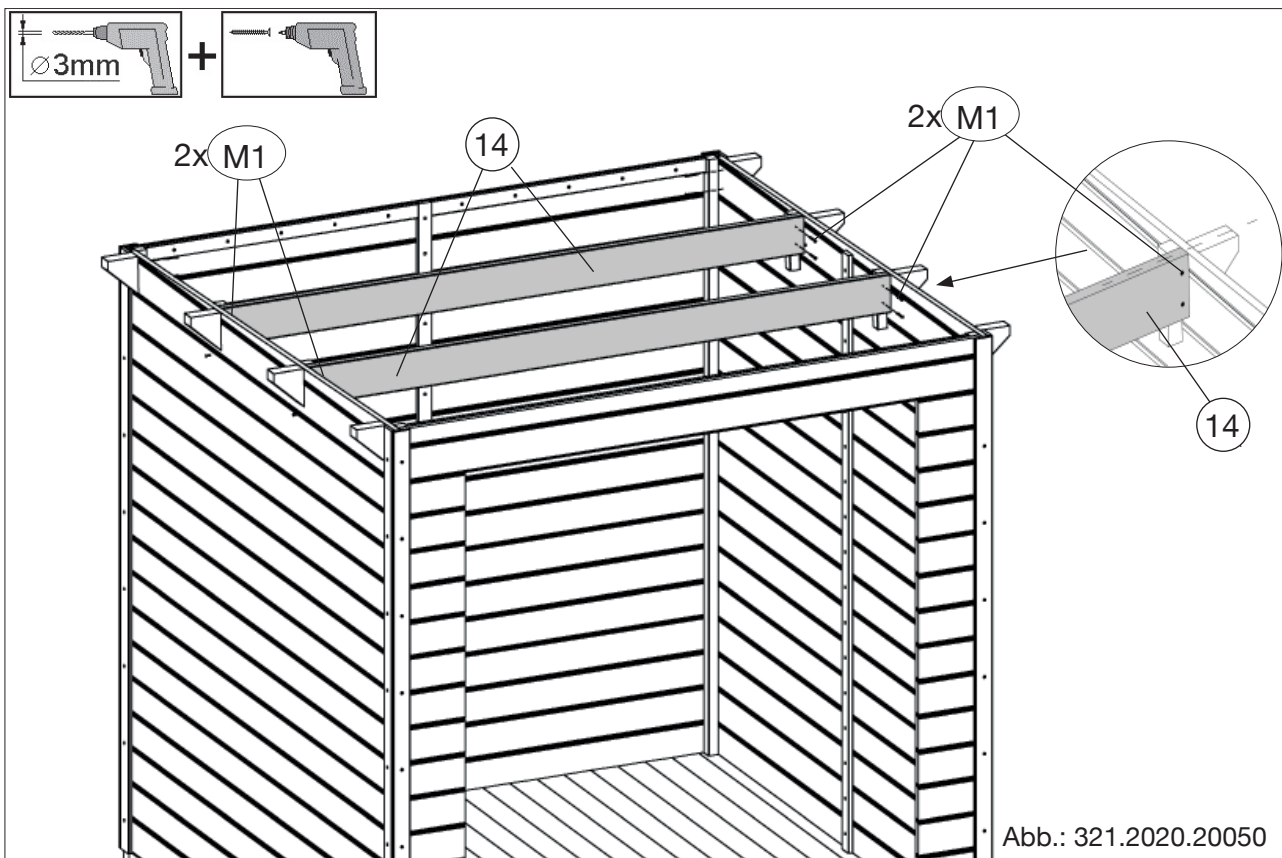
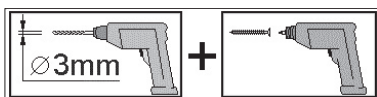

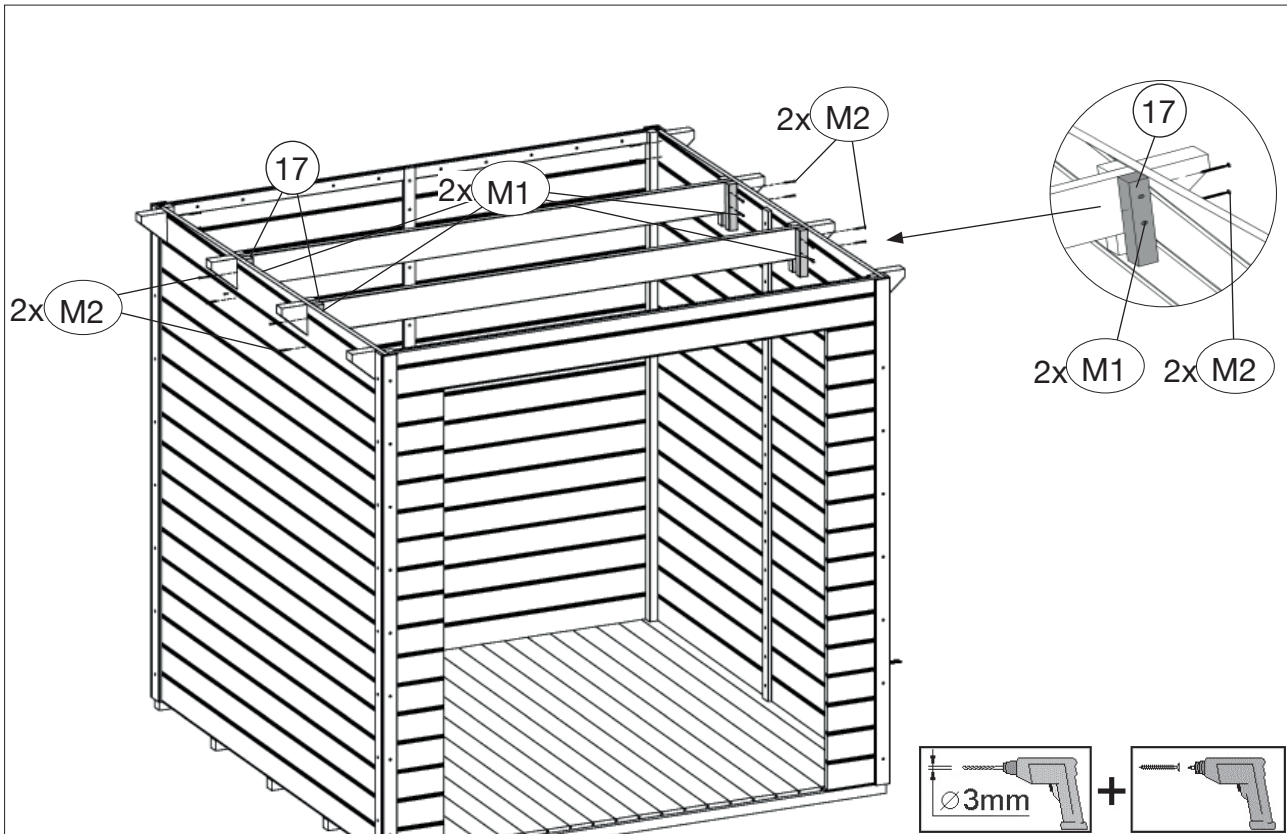



Abb.: 321.2020.20050

15 Art.-Nr.: 321.2020.20050

	M1	4,0 x 60
	M2	4,0 x 40



16 Art.-Nr.: 321.2020.20050

	M4	2,2 x 55

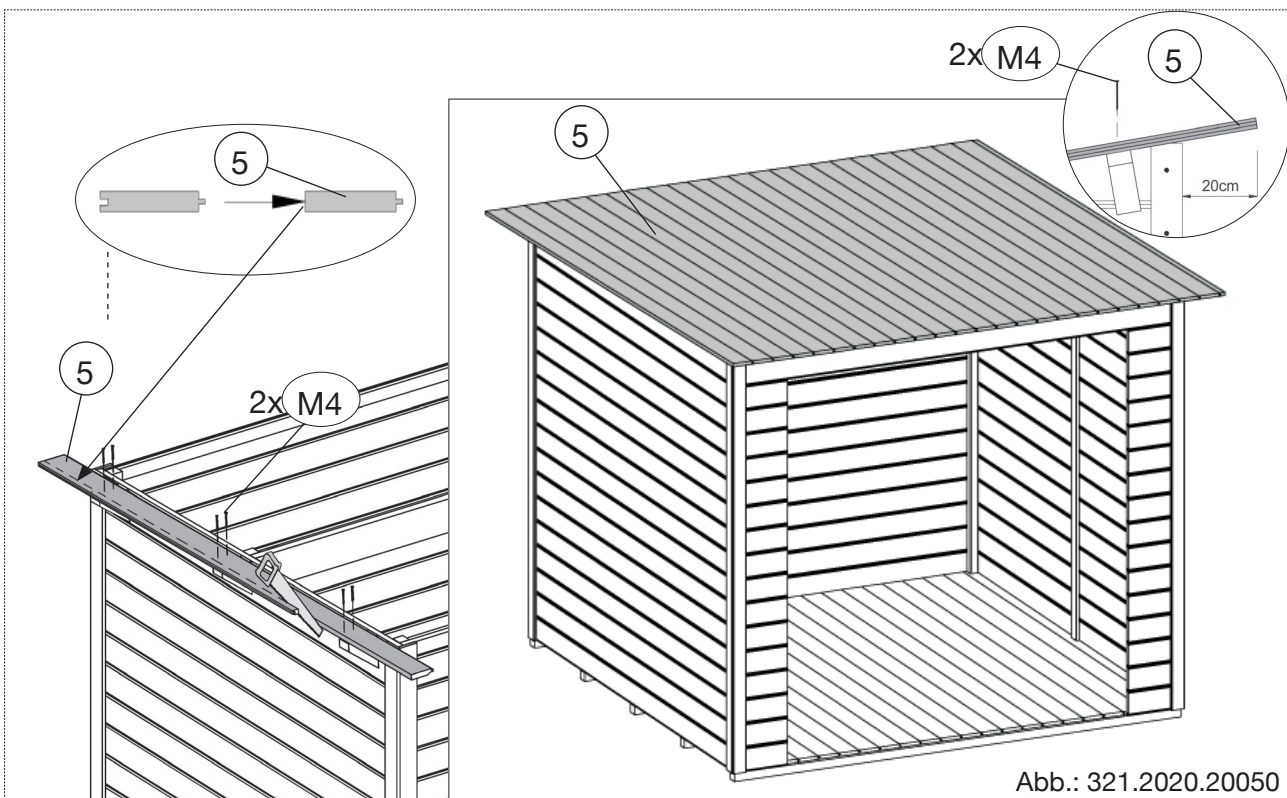

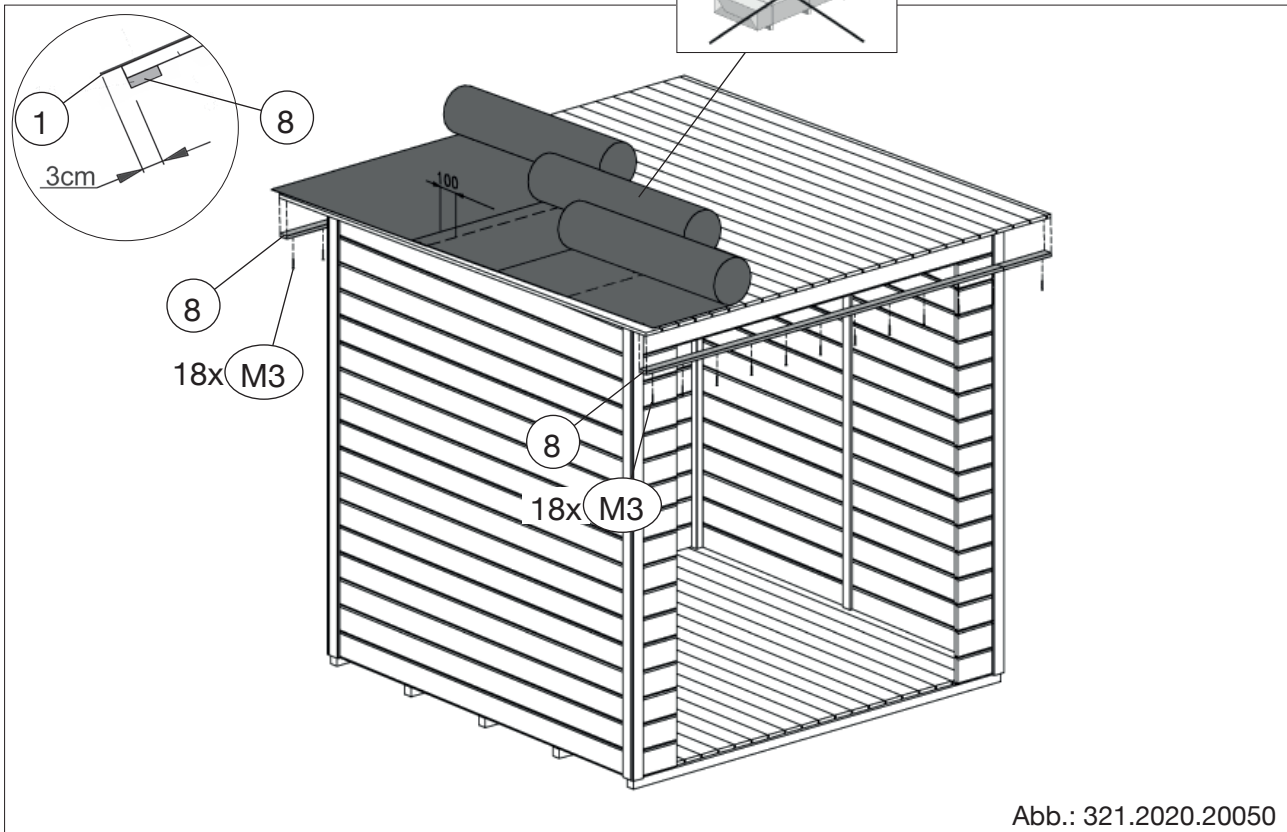


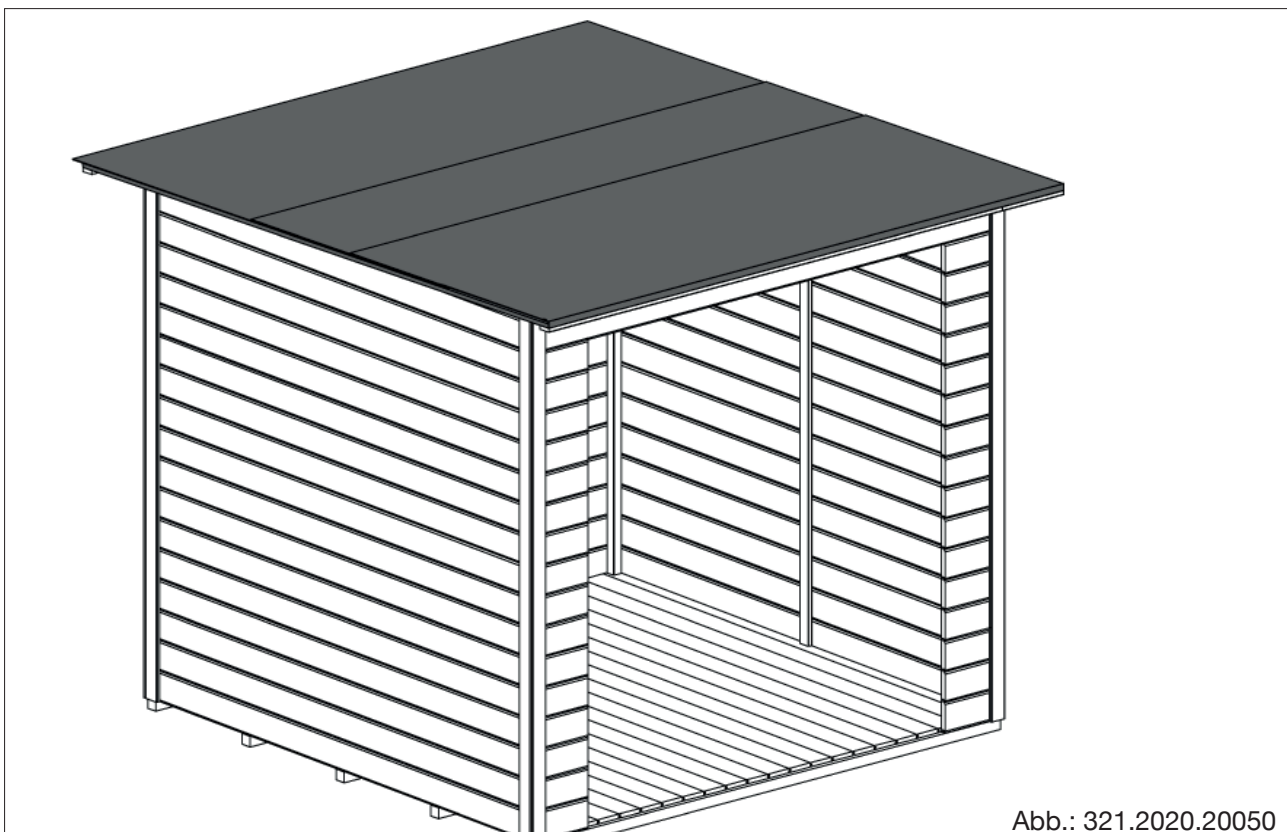
Abb.: 321.2020.20050

17 Art.-Nr.: 321.3025.20050

	M3 3,5 x 30
---	--------------------

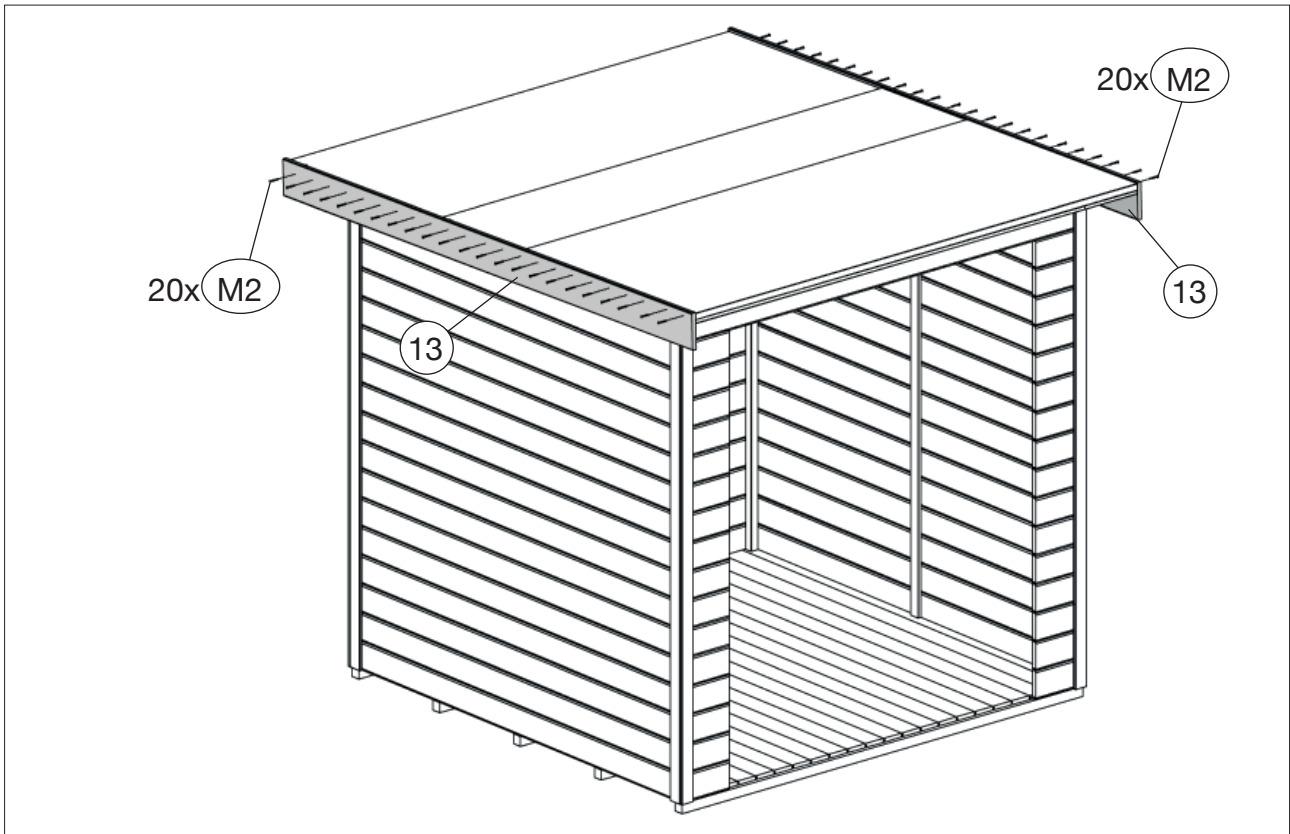
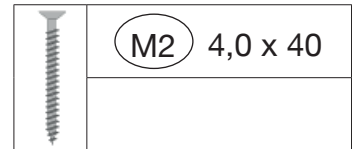


18 Art.-Nr.: 321.2020.20050



19

Art.-Nr.: 321.2020.20050



20

Art.-Nr.: 321.2020.20050

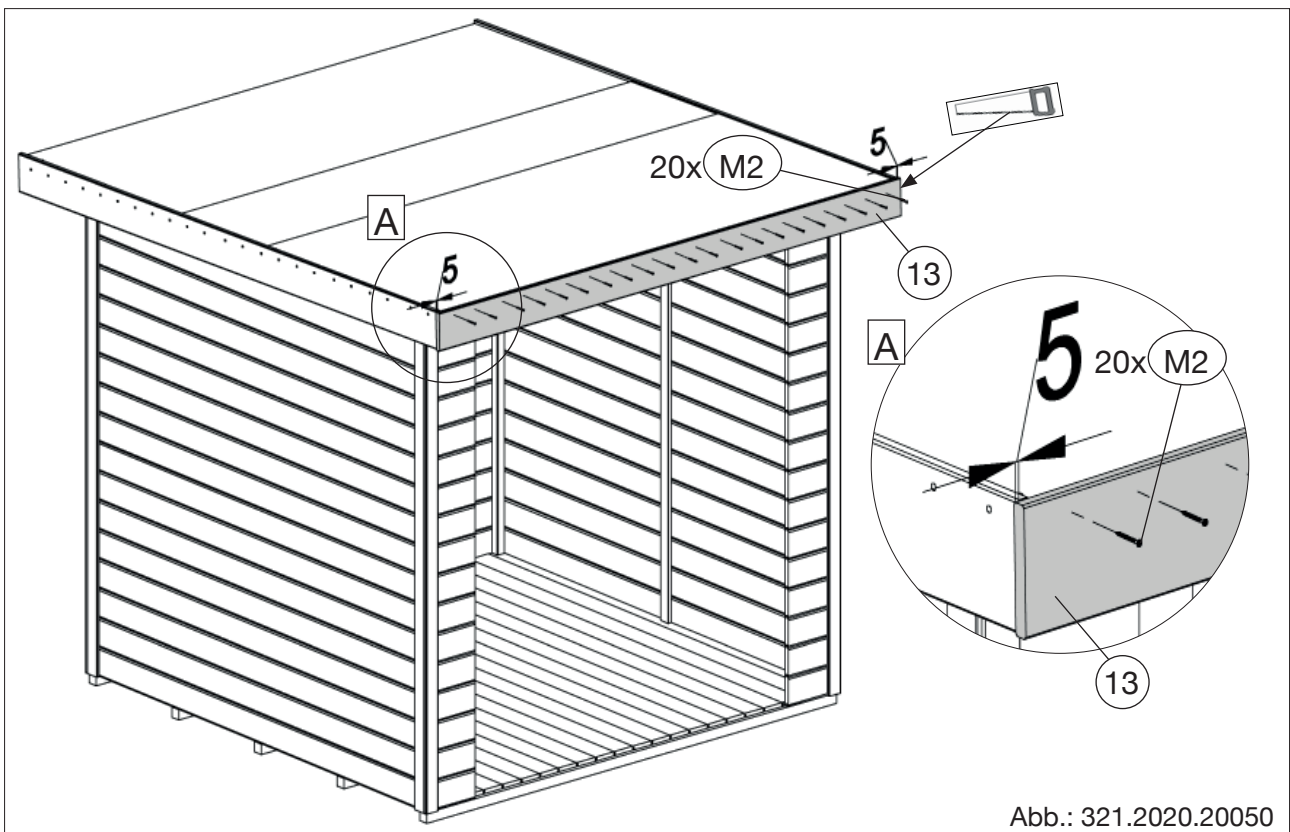
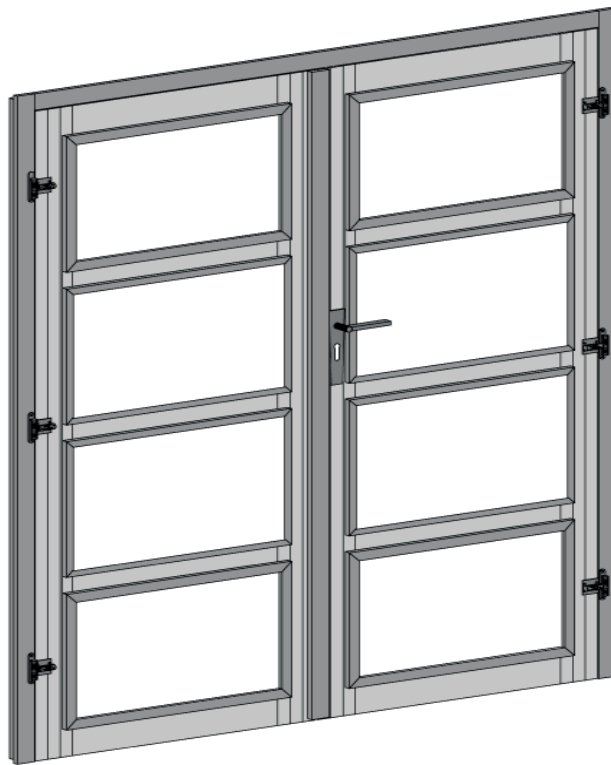



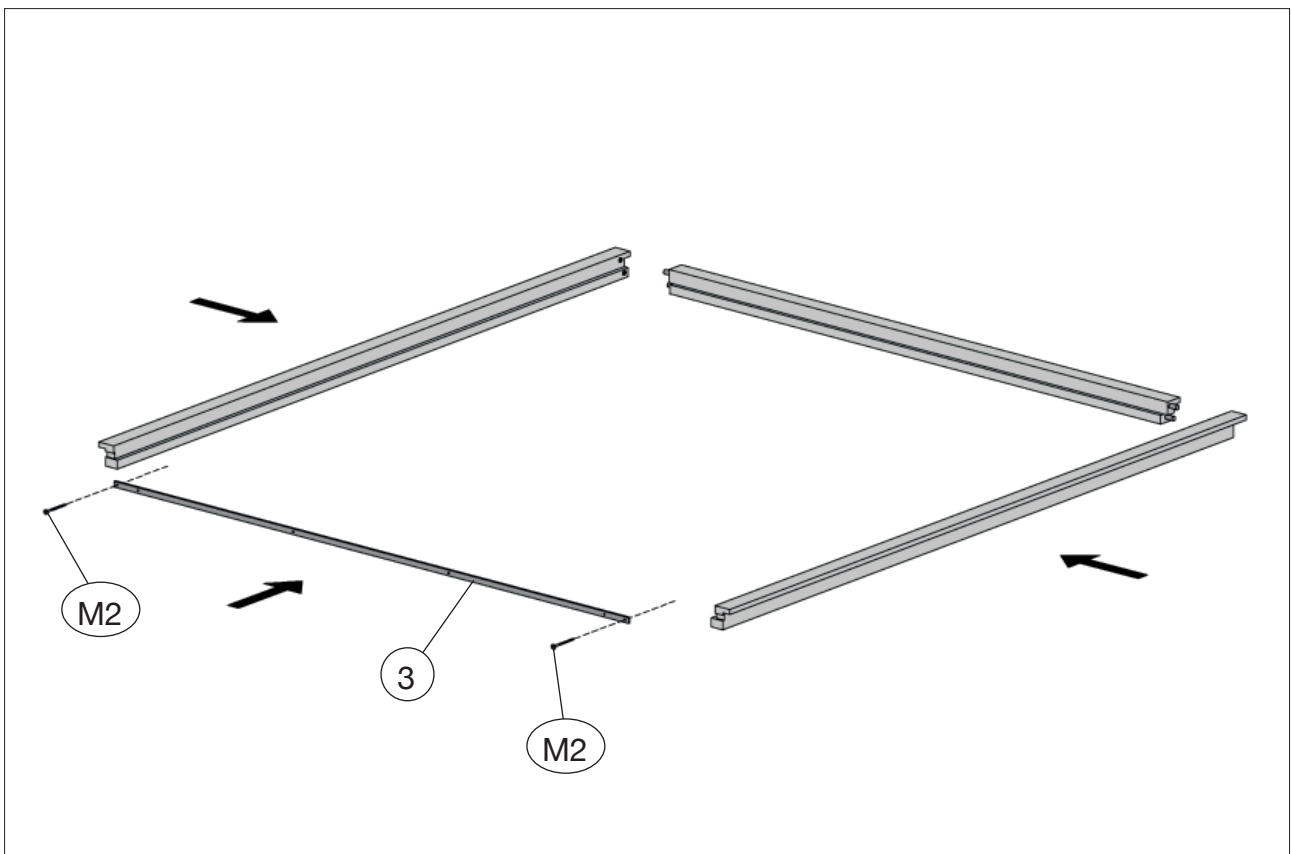
Abb.: 321.2020.20050

2





21

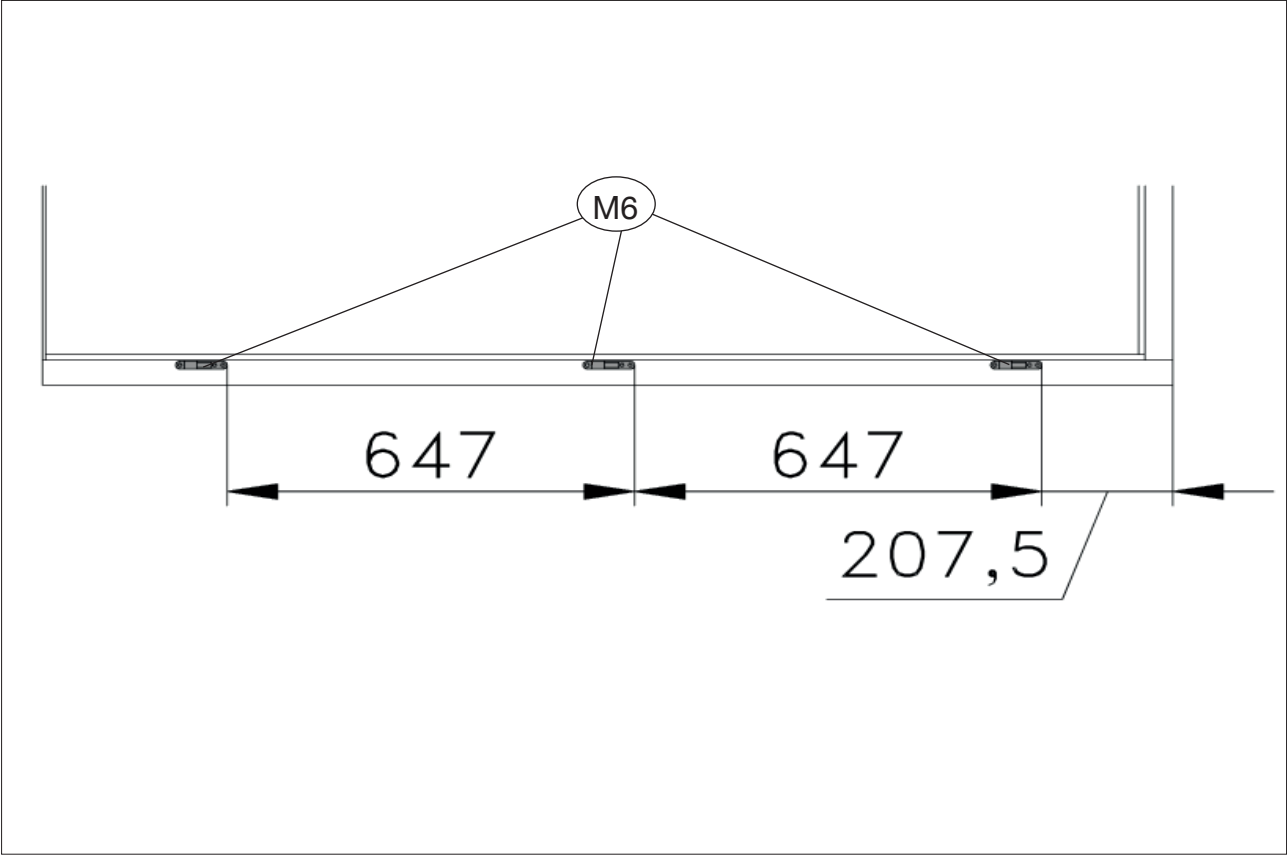
	M100.092
	M2 3,5 x 30



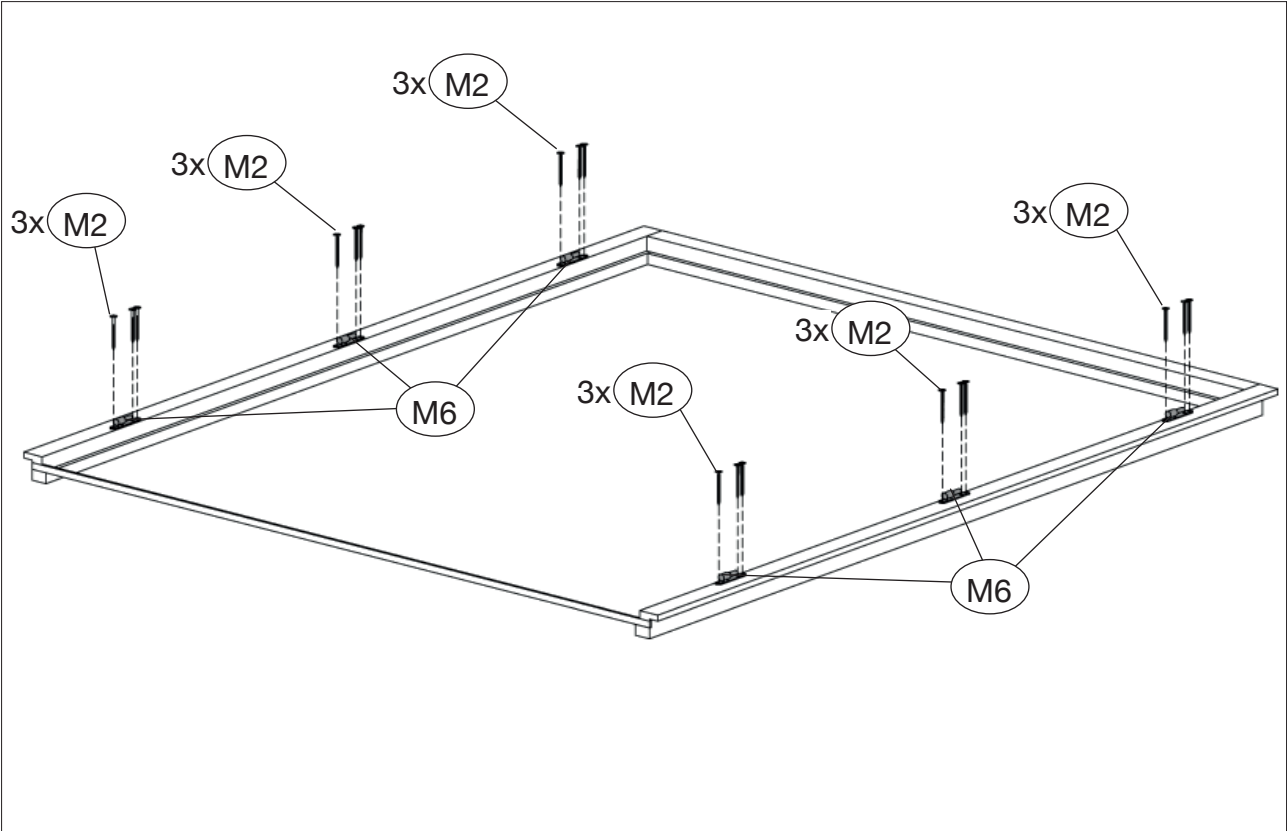
22

	M100.092
	M2 3,5 x 30

	M6 0/40/40

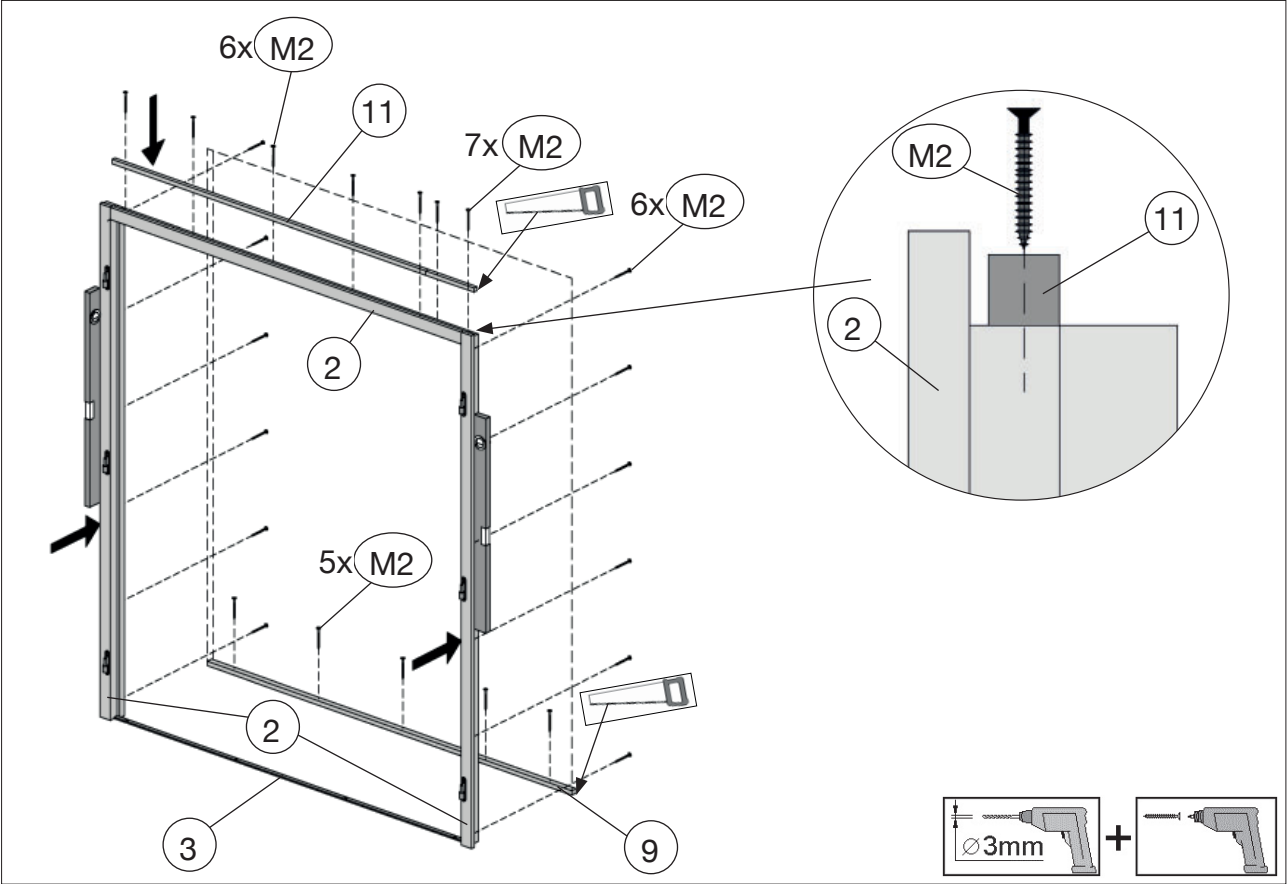


22.1

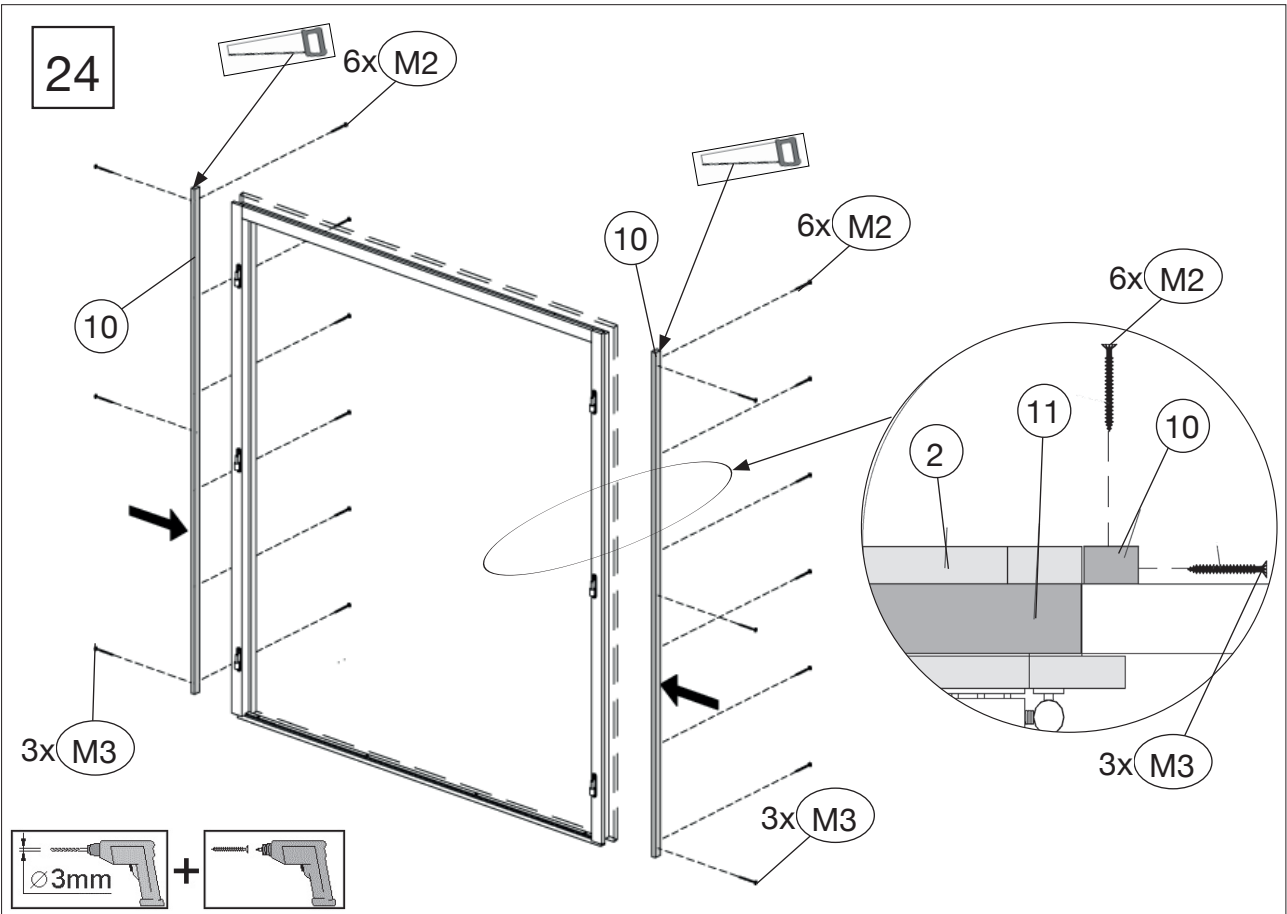


23

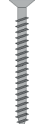
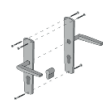
	M2	3,5 x 30
	M3	4,0 x 40

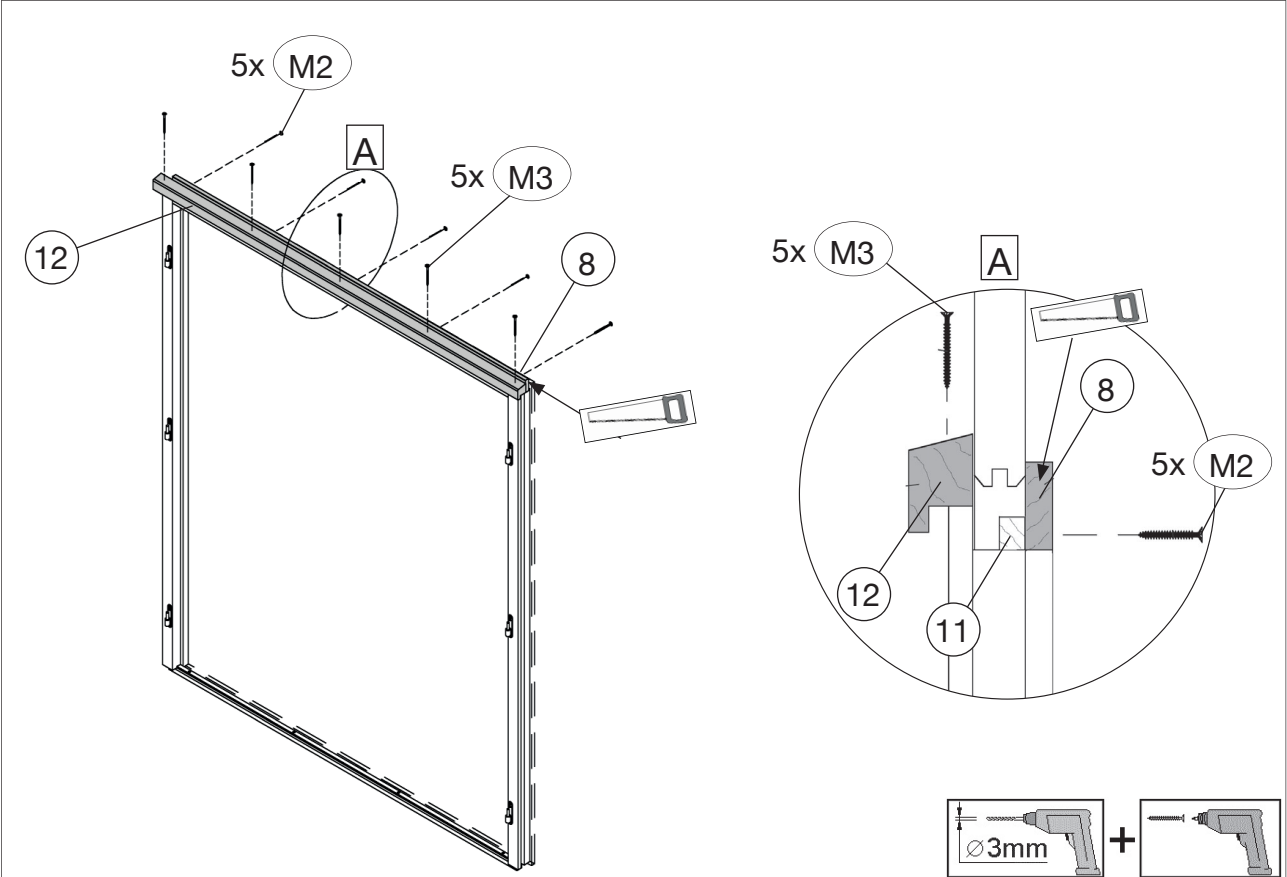


24

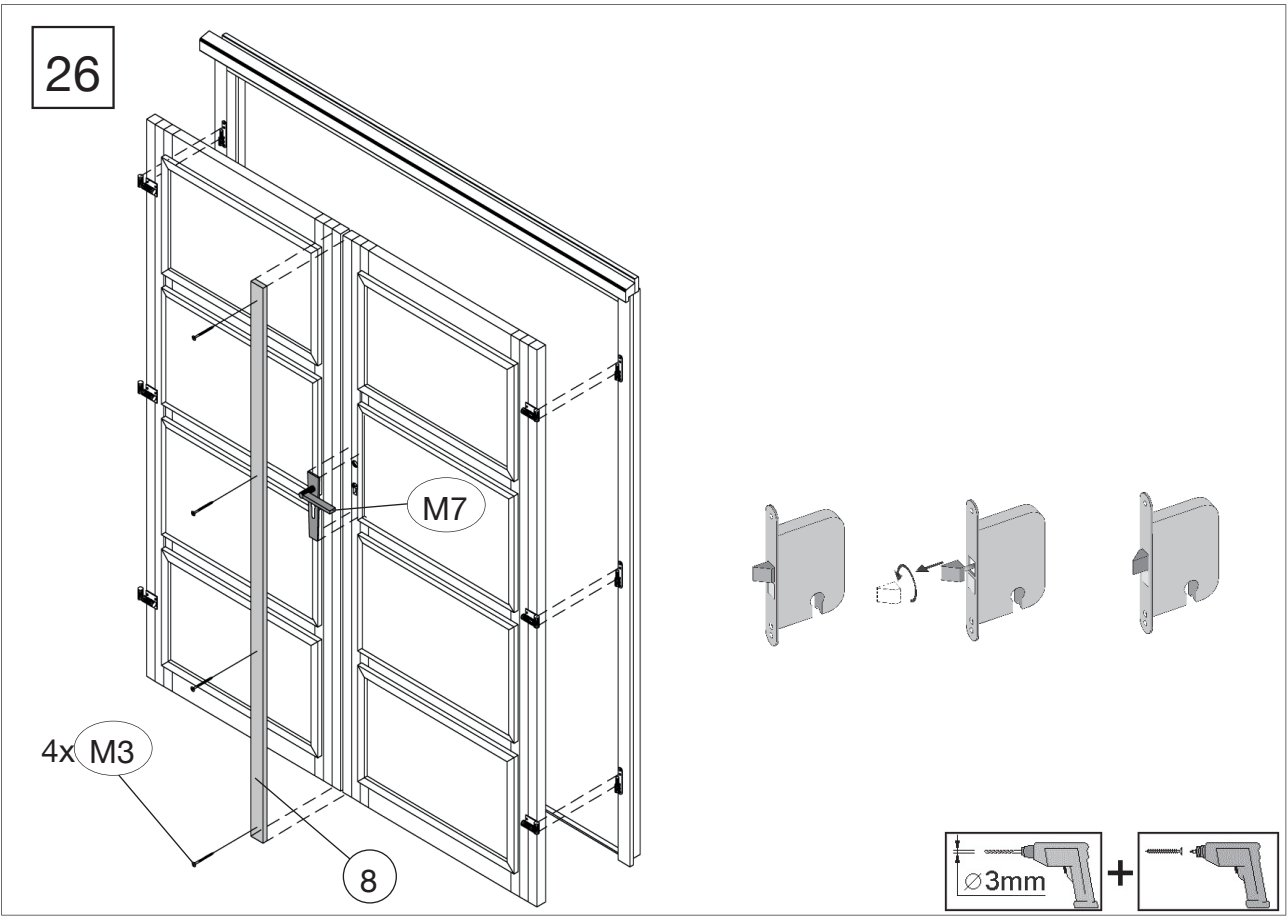


25

	M2	3,5 x 30		M7
	M3	4,0 x 40		



26



27

