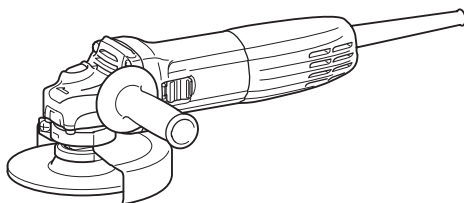




EN	Angle Grinder	INSTRUCTION MANUAL	5
PL	Szlifierka kątowa	INSTRUKCJA OBSŁUGI	13
HU	Sarokcsiszoló	HASZNÁLATI KÉZIKÖNYV	22
SK	Uhlová brúska	NÁVOD NA OBSLUHU	30
CS	Úhlová bruska	NÁVOD K OBSLUZE	38
UK	Кутова шліфувальна машина	ІНСТРУКЦІЯ З ЕКСПЛУАТАЦІЇ	46
RO	Polizor unghiular	MANUAL DE INSTRUCȚIUNI	55
DE	Winkelschleifer	BETRIEBSANLEITUNG	63

GA4030R
GA4530R
GA5030R



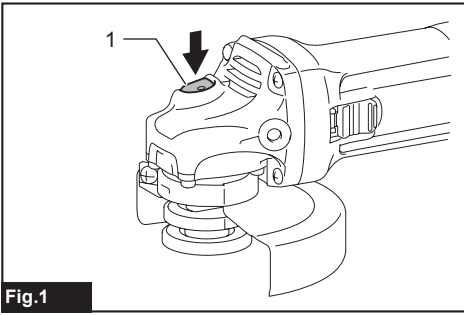


Fig.1

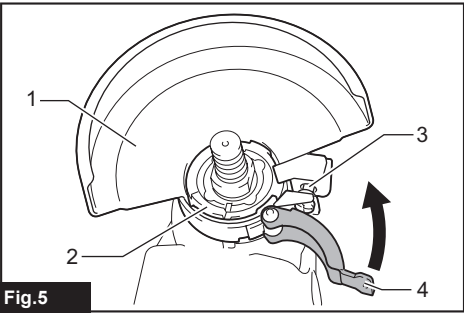


Fig.5

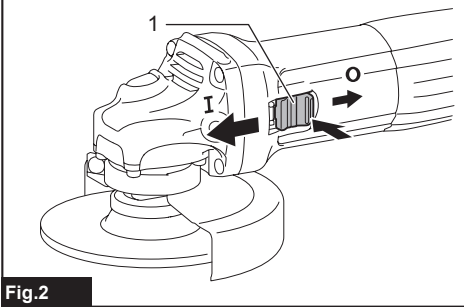


Fig.2

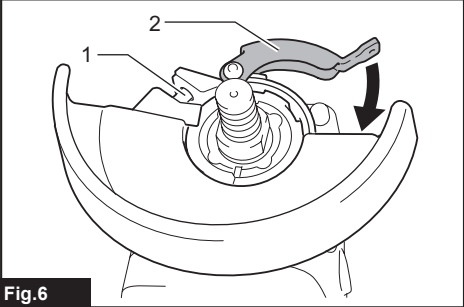


Fig.6

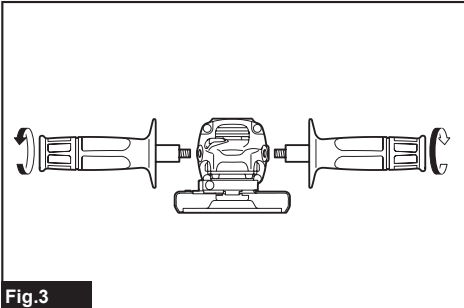


Fig.3

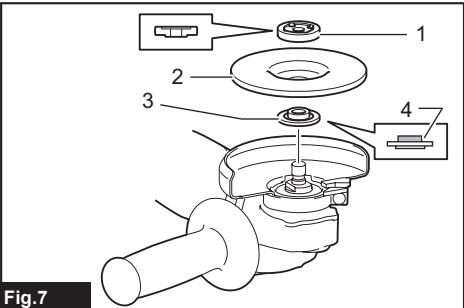


Fig.7

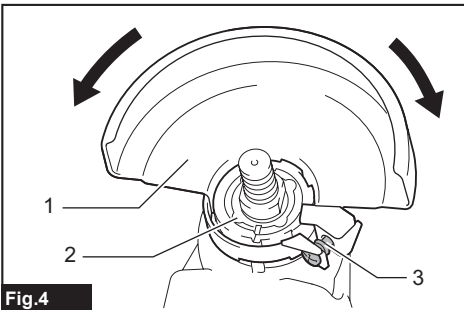


Fig.4

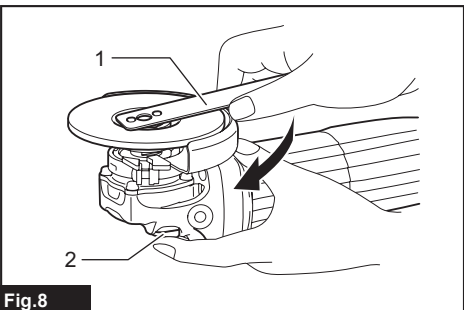
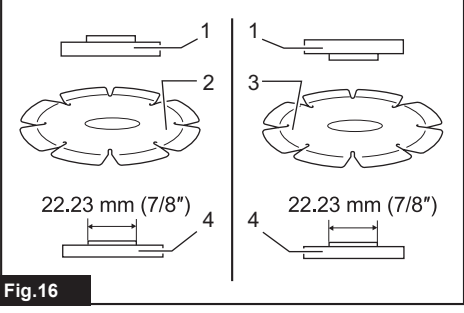
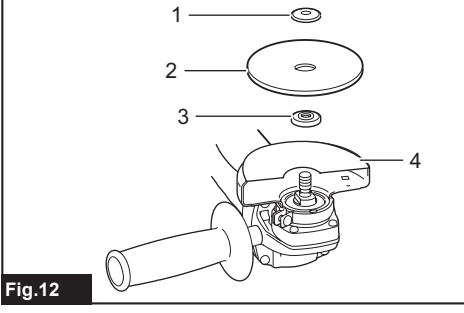
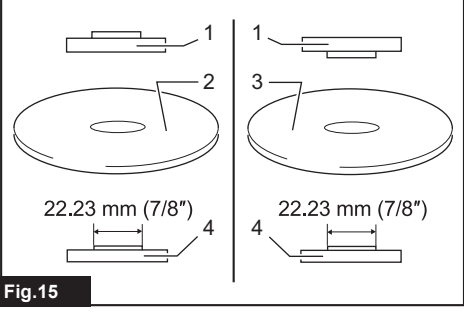
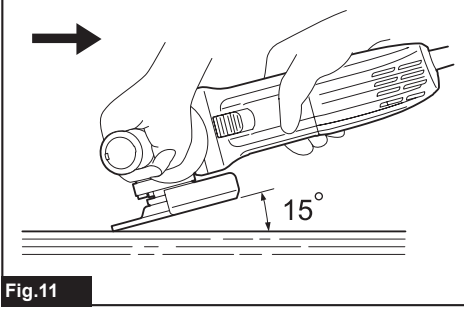
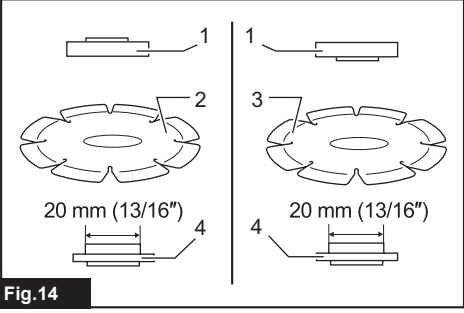
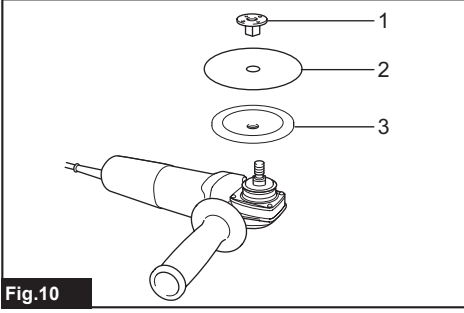
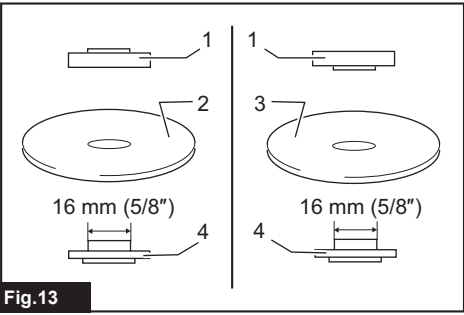
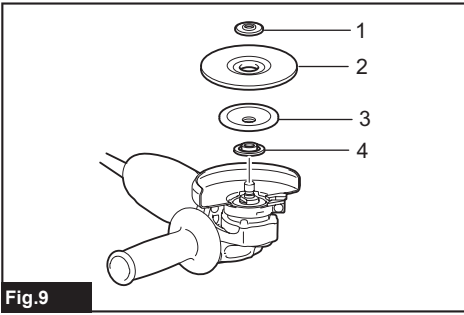


Fig.8



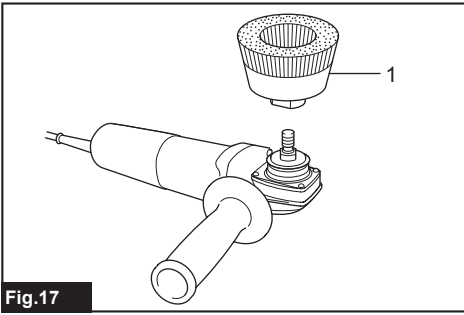


Fig.17

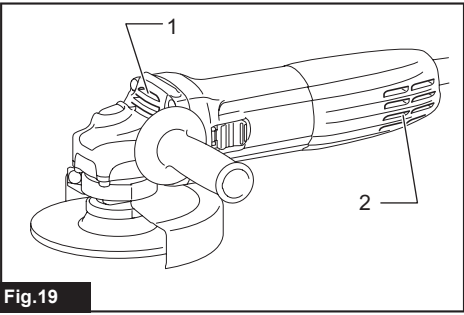


Fig.19

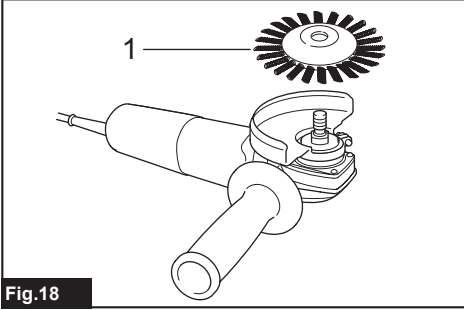


Fig.18

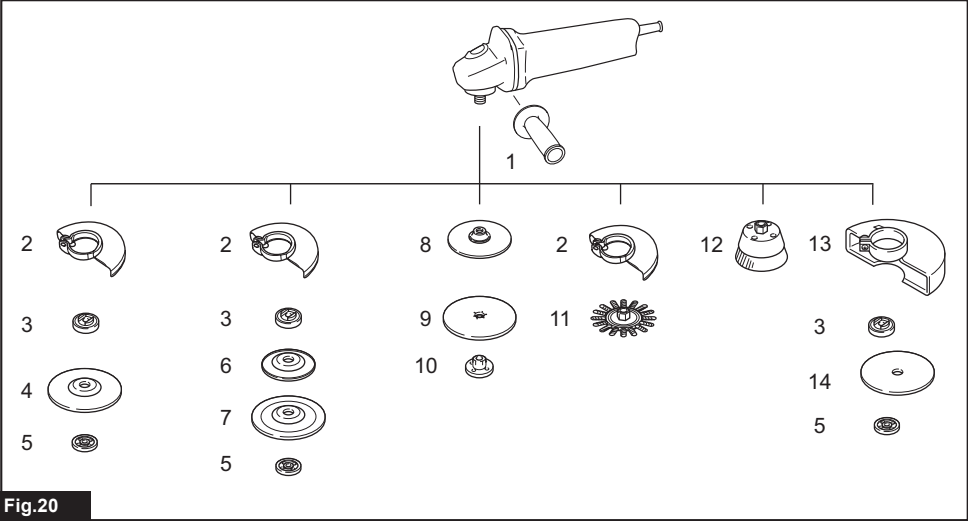


Fig.20

SPECIFICATIONS

Model:	GA4030R	GA4530R	GA5030R
Wheel diameter	100mm (4")	115mm (4-1/2")	125mm (5")
Max. wheel thickness	6.4mm	7.2mm	
Spindle thread	M10	M14 or 5/8" (country specific)	
Rated speed (n)	11,000min ⁻¹		
Overall length	266mm		
Net weight	1.7kg	1.8kg	
Safety class	□/II		

- Due to our continuing program of research and development, the specifications herein are subject to change without notice.
- Specifications may differ from country to country.
- Weight according to EPTA-Procedure 01/2003

Intended use

The tool is intended for grinding, sanding and cutting of metal and stone materials without the use of water.

Power supply

The tool should be connected only to a power supply of the same voltage as indicated on the nameplate, and can only be operated on single-phase AC supply. They are double-insulated and can, therefore, also be used from sockets without earth wire.

Noise

The typical A-weighted noise level determined according to EN60745:

Sound pressure level (L_{pA}): 85 dB(A)

Sound power level (L_{wA}): 96 dB (A)

Uncertainty (K) : 3 dB(A)

⚠ WARNING: Wear ear protection.

Vibration

The vibration total value (tri-axial vector sum) determined according to EN60745:

Model GA4030R

Work mode: surface grinding

Vibration emission ($a_{h,AG}$) : 7.0 m/s²

Uncertainty (K) : 1.5 m/s²

Work mode: disc sanding

Vibration emission ($a_{h,DS}$) : 2.5 m/s² or less

Uncertainty (K) : 1.5 m/s²

Model GA4530R

Work mode: surface grinding

Vibration emission ($a_{h,AG}$) : 7.5 m/s²

Uncertainty (K) : 1.5 m/s²

Work mode: disc sanding

Vibration emission ($a_{h,DS}$) : 2.5 m/s² or less

Uncertainty (K) : 1.5 m/s²

Model GA5030R

Work mode: surface grinding

Vibration emission ($a_{h,AG}$) : 8.5 m/s²

Uncertainty (K) : 1.5 m/s²

Work mode: disc sanding

Vibration emission ($a_{h,DS}$) : 2.5 m/s² or less

Uncertainty (K) : 1.5 m/s²

NOTE: The declared vibration emission value has been measured in accordance with the standard test method and may be used for comparing one tool with another.

NOTE: The declared vibration emission value may also be used in a preliminary assessment of exposure.

⚠ WARNING: The vibration emission during actual use of the power tool can differ from the declared emission value depending on the ways in which the tool is used.

⚠ WARNING: Be sure to identify safety measures to protect the operator that are based on an estimation of exposure in the actual conditions of use (taking account of all parts of the operating cycle such as the times when the tool is switched off and when it is running idle in addition to the trigger time).

⚠ WARNING: The declared vibration emission value is used for main applications of the power tool. However if the power tool is used for other applications, the vibration emission value may be different.

EC Declaration of Conformity

For European countries only

Makita declares that the following Machine(s):

Designation of Machine: Angle Grinder

Model No./ Type: GA4030R, GA4530R, GA5030R

Conforms to the following European Directives:

2006/42/EC

They are manufactured in accordance with the following standard or standardized documents: EN60745

The technical file in accordance with 2006/42/EC is available from:

Makita, Jan-Baptist Vinkstraat 2, 3070, Belgium



Yasushi Fukaya
Director
Makita, Jan-Baptist Vinkstraat 2, 3070, Belgium

General power tool safety warnings

⚠WARNING: Read all safety warnings and all instructions. Failure to follow the warnings and instructions may result in electric shock, fire and/or serious injury.

Save all warnings and instructions for future reference.

The term "power tool" in the warnings refers to your mains-operated (corded) power tool or battery-operated (cordless) power tool.

Grinder safety warnings

Safety Warnings Common for Grinding, Sanding, Wire Brushing, or Abrasive Cutting-Off Operations:

- This power tool is intended to function as a grinder, sander, wire brush or cut-off tool. Read all safety warnings, instructions, illustrations and specifications provided with this power tool.** Failure to follow all instructions listed below may result in electric shock, fire and/or serious injury.
- Operations such as polishing are not recommended to be performed with this power tool.** Operations for which the power tool was not designed may create a hazard and cause personal injury.
- Do not use accessories which are not specifically designed and recommended by the tool manufacturer.** Just because the accessory can be attached to your power tool, it does not assure safe operation.
- The rated speed of the accessory must be at least equal to the maximum speed marked on the power tool.** Accessories running faster than their rated speed can break and fly apart.
- The outside diameter and the thickness of your accessory must be within the capacity rating of your power tool.** Incorrectly sized accessories cannot be adequately guarded or controlled.
- Threaded mounting of accessories must match the grinder spindle thread. For accessories mounted by flanges, the arbour hole of the accessory must fit the locating diameter of the flange.** Accessories that do not match the mounting hardware of the power tool will run out of balance, vibrate excessively and may cause loss of control.
- Do not use a damaged accessory. Before each use inspect the accessory such as abrasive wheels for chips and cracks, backing pad for cracks, tear or excess wear, wire brush for loose or cracked wires. If power tool or accessory is dropped, inspect for damage or install an undamaged accessory. After inspecting and installing an accessory, position yourself and bystanders away from the plane of the rotating accessory and run the power tool at maximum no-load speed for one minute.** Damaged accessories will normally break apart during this test time.
- Wear personal protective equipment. Depending on application, use face shield, safety goggles or safety glasses. As appropriate, wear dust mask, hearing protectors, gloves and workshop apron capable of stopping small abrasive or workpiece fragments.** The eye protection must be capable of stopping flying debris generated by various operations. The dust mask or respirator must be capable of filtering particles generated by your operation. Prolonged exposure to high intensity noise may cause hearing loss.
- Keep bystanders a safe distance away from work area. Anyone entering the work area must wear personal protective equipment.** Fragments of workpiece or of a broken accessory may fly away and cause injury beyond immediate area of operation.
- Hold the power tool by insulated gripping surfaces only, when performing an operation where the cutting accessory may contact hidden wiring or its own cord.** Cutting accessory contacting a "live" wire may make exposed metal parts of the power tool "live" and could give the operator an electric shock.
- Position the cord clear of the spinning accessory.** If you lose control, the cord may be cut or snagged and your hand or arm may be pulled into the spinning accessory.
- Never lay the power tool down until the accessory has come to a complete stop.** The spinning accessory may grab the surface and pull the power tool out of your control.
- Do not run the power tool while carrying it at your side.** Accidental contact with the spinning accessory could snag your clothing, pulling the accessory into your body.
- Regularly clean the power tool's air vents.** The motor's fan will draw the dust inside the housing and excessive accumulation of powdered metal may cause electrical hazards.
- Do not operate the power tool near flammable materials.** Sparks could ignite these materials.
- Do not use accessories that require liquid coolants.** Using water or other liquid coolants may result in electrocution or shock.

Kickback and Related Warnings

Kickback is a sudden reaction to a pinched or snagged rotating wheel, backing pad, brush or any other accessory. Pinching or snagging causes rapid stalling of the rotating accessory which in turn causes the uncontrolled power tool to be forced in the direction opposite of the accessory's rotation at the point of the binding. For example, if an abrasive wheel is snagged or pinched by the workpiece, the edge of the wheel that is entering into the pinch point can dig into the surface of the material causing the wheel to climb out or kick out. The wheel may either jump toward or away from the operator, depending on direction of the wheel's movement at the point of pinching. Abrasive wheels may also break under these conditions.

Kickback is the result of power tool misuse and/or incorrect operating procedures or conditions and can be avoided by taking proper precautions as given below.

1. **Maintain a firm grip on the power tool and position your body and arm to allow you to resist kickback forces. Always use auxiliary handle, if provided, for maximum control over kickback or torque reaction during start-up.** The operator can control torque reactions or kickback forces, if proper precautions are taken.
2. **Never place your hand near the rotating accessory.** Accessory may kickback over your hand.
3. **Do not position your body in the area where power tool will move if kickback occurs.** Kickback will propel the tool in direction opposite to the wheel's movement at the point of snagging.
4. **Use special care when working corners, sharp edges etc. Avoid bouncing and snagging the accessory.** Corners, sharp edges or bouncing have a tendency to snag the rotating accessory and cause loss of control or kickback.
5. **Do not attach a saw chain woodcarving blade or toothed saw blade.** Such blades create frequent kickback and loss of control.

Safety Warnings Specific for Grinding and Abrasive Cutting-Off Operations:

1. **Use only wheel types that are recommended for your power tool and the specific guard designed for the selected wheel.** Wheels for which the power tool was not designed cannot be adequately guarded and are unsafe.
2. **The grinding surface of centre depressed wheels must be mounted below the plane of the guard lip.** An improperly mounted wheel that projects through the plane of the guard lip cannot be adequately protected.
3. **The guard must be securely attached to the power tool and positioned for maximum safety, so the least amount of wheel is exposed towards the operator.** The guard helps to protect the operator from broken wheel fragments, accidental contact with wheel and sparks that could ignite clothing.
4. **Wheels must be used only for recommended applications. For example: do not grind with the side of cut-off wheel.** Abrasive cut-off wheels are intended for peripheral grinding, side forces applied to these wheels may cause them to shatter.
5. **Always use undamaged wheel flanges that are of correct size and shape for your selected wheel.** Proper wheel flanges support the wheel thus reducing the possibility of wheel breakage. Flanges for cut-off wheels may be different from grinding wheel flanges.
6. **Do not use worn down wheels from larger power tools.** Wheel intended for larger power tool is not suitable for the higher speed of a smaller tool and may burst.

Additional Safety Warnings Specific for Abrasive Cutting-Off Operations:

1. **Do not "jam" the cut-off wheel or apply excessive pressure. Do not attempt to make an excessive depth of cut.** Overstressing the wheel increases the loading and susceptibility to twisting or binding of the wheel in the cut and the possibility of kickback or wheel breakage.

2. **Do not position your body in line with and behind the rotating wheel.** When the wheel, at the point of operation, is moving away from your body, the possible kickback may propel the spinning wheel and the power tool directly at you.
3. **When wheel is binding or when interrupting a cut for any reason, switch off the power tool and hold the power tool motionless until the wheel comes to a complete stop. Never attempt to remove the cut-off wheel from the cut while the wheel is in motion otherwise kickback may occur.** Investigate and take corrective action to eliminate the cause of wheel binding.
4. **Do not restart the cutting operation in the workpiece. Let the wheel reach full speed and carefully re-enter the cut.** The wheel may bind, walk up or kickback if the power tool is restarted in the workpiece.
5. **Support panels or any oversized workpiece to minimize the risk of wheel pinching and kickback.** Large workpieces tend to sag under their own weight. Supports must be placed under the workpiece near the line of cut and near the edge of the workpiece on both sides of the wheel.
6. **Use extra caution when making a "pocket cut" into existing walls or other blind areas.** The protruding wheel may cut gas or water pipes, electrical wiring or objects that can cause kickback.

Safety Warnings Specific for Sanding Operations:

1. **Do not use excessively oversized sanding disc paper. Follow manufacturers recommendations, when selecting sanding paper.** Larger sanding paper extending beyond the sanding pad presents a laceration hazard and may cause snagging, tearing of the disc or kickback.

Safety Warnings Specific for Wire Brushing Operations:

1. **Be aware that wire bristles are thrown by the brush even during ordinary operation. Do not overstress the wires by applying excessive load to the brush.** The wire bristles can easily penetrate light clothing and/or skin.
2. **If the use of a guard is recommended for wire brushing, do not allow any interference of the wire wheel or brush with the guard.** Wire wheel or brush may expand in diameter due to work load and centrifugal forces.

Additional Safety Warnings:

1. **When using depressed centre grinding wheels, be sure to use only fiberglass-reinforced wheels.**
2. **NEVER USE Stone Cup type wheels with this grinder.** This grinder is not designed for these types of wheels and the use of such a product may result in serious personal injury.
3. **Be careful not to damage the spindle, the flange (especially the installing surface) or the lock nut.** Damage to these parts could result in wheel breakage.
4. **Make sure the wheel is not contacting the workpiece before the switch is turned on.**
5. **Before using the tool on an actual workpiece, let it run for a while. Watch for vibration or wobbling that could indicate poor installation or a poorly balanced wheel.**

6. Use the specified surface of the wheel to perform the grinding.
7. Do not leave the tool running. Operate the tool only when hand-held.
8. Do not touch the workpiece immediately after operation; it may be extremely hot and could burn your skin.
9. Observe the instructions of the manufacturer for correct mounting and use of wheels. Handle and store wheels with care.
10. Do not use separate reducing bushings or adaptors to adapt large hole abrasive wheels.
11. Use only flanges specified for this tool.
12. For tools intended to be fitted with threaded hole wheel, ensure that the thread in the wheel is long enough to accept the spindle length.
13. Check that the workpiece is properly supported.
14. Pay attention that the wheel continues to rotate after the tool is switched off.
15. If working place is extremely hot and humid, or badly polluted by conductive dust, use a short-circuit breaker (30 mA) to assure operator safety.
16. Do not use the tool on any materials containing asbestos.
17. When use cut-off wheel, always work with the dust collecting wheel guard required by domestic regulation.
18. Cutting discs must not be subjected to any lateral pressure.
19. Do not use cloth work gloves during operation. Fibers from cloth gloves may enter the tool, which causes tool breakage.

SAVE THESE INSTRUCTIONS.

⚠ WARNING: DO NOT let comfort or familiarity with product (gained from repeated use) replace strict adherence to safety rules for the subject product. MISUSE or failure to follow the safety rules stated in this instruction manual may cause serious personal injury.

FUNCTIONAL DESCRIPTION

⚠ CAUTION: Always be sure that the tool is switched off and unplugged before adjusting or checking function on the tool.

Shaft lock

Press the shaft lock to prevent spindle rotation when installing or removing accessories.

► Fig.1: 1. Shaft lock

NOTICE: Never actuate the shaft lock when the spindle is moving. The tool may be damaged.

Switch action

⚠ CAUTION: Before plugging in the tool, always check to see that the slide switch actuates properly and returns to the "OFF" position when the rear of the slide switch is depressed.

⚠ CAUTION: Switch can be locked in "ON" position for ease of operator comfort during extended use. Apply caution when locking tool in "ON" position and maintain firm grasp on tool.

To start the tool, slide the slide switch toward the "I (ON)" position by pushing the rear of the slide switch. For continuous operation, press the front of the slide switch to lock it.

To stop the tool, press the rear of the slide switch, then slide it toward the "O (OFF)" position.

► Fig.2: 1. Slide switch

Unintentional restart proof

The tool does not start with the switch being lock-on even when the tool is plugged.

To cancel the unintentional restart proof, return the power switch to OFF position.

NOTE: Wait more than one second before restarting the tool when unintentional restart proof functions.

NOTE: When the tool is overloaded and the tool temperature reaches a certain level, the tool may automatically stop. In this situation, let the cool before turning on the tool again.

Soft start feature

Soft start feature reduces starting reaction.

ASSEMBLY

⚠ CAUTION: Always be sure that the tool is switched off and unplugged before carrying out any work on the tool.

Installing side grip (handle)

⚠ CAUTION: Always be sure that the side grip is installed securely before operation.

Screw the side grip securely on the position of the tool as shown in the figure.

► Fig.3

Installing or removing wheel guard (For depressed center wheel, flap disc, flex wheel, wire wheel brush / abrasive cut-off wheel, diamond wheel)

⚠ WARNING: When using a depressed center wheel, flap disc, flex wheel or wire wheel brush, the wheel guard must be fitted on the tool so that the closed side of the guard always points toward the operator.

⚠ WARNING: When using an abrasive cut-off / diamond wheel, be sure to use only the special wheel guard designed for use with cut-off wheels. (In some European countries, when using a diamond wheel, the ordinary guard can be used. Follow the regulations in your country.)

For tool with locking screw type wheel guard

Mount the wheel guard with the protrusions on the wheel guard band aligned with the notches on the bearing box. Then rotate the wheel guard to such an angle that it can protect the operator according to work. Be sure to tighten the screw securely.

To remove wheel guard, follow the installation procedure in reverse.

► Fig.4: 1. Wheel guard 2. Bearing box 3. Screw

For tool with clamp lever type wheel guard

Loosen the screw, and then pull the lever in the direction of the arrow. Mount the wheel guard with the protrusions on the wheel guard band aligned with the notches on the bearing box. Then rotate the wheel guard to such an angle that it can protect the operator according to work.

► Fig.5: 1. Wheel guard 2. Bearing box 3. Screw
4. Lever

Pull the lever in direction of the arrow. Then tighten the wheel guard with fastening the screw. Be sure to tighten the screw securely. The setting angle of the wheel guard can be adjusted with the lever.

► Fig.6: 1. Screw 2. Lever

To remove wheel guard, follow the installation procedure in reverse.

Installing or removing depressed center wheel or flap disc

Optional accessory

⚠ WARNING: When using a depressed center wheel or flap disc, the wheel guard must be fitted on the tool so that the closed side of the guard always points toward the operator.

⚠ CAUTION: Make sure that the mounting part of the inner flange fits into the inner diameter of the depressed center wheel / flap disc perfectly. Mounting the inner flange on the wrong side may result in the dangerous vibration.

Mount the inner flange onto the spindle. Make sure to fit the dented part of the inner flange onto the straight part at the bottom of the spindle.

Fit the depressed center wheel / flap disc on the inner flange and screw the lock nut onto the spindle.

► Fig.7: 1. Lock nut 2. Depressed center wheel
3. Inner flange 4. Mounting part

To tighten the lock nut, press the shaft lock firmly so that the spindle cannot revolve, then use the lock nut wrench and securely tighten clockwise.

► Fig.8: 1. Lock nut wrench 2. Shaft lock

To remove the wheel, follow the installation procedure in reverse.

Super flange

Optional accessory

Only for tools with M14 spindle thread.

Models with the letter F are standard-equipped with Super flange. Only 1/3 of efforts needed to undo lock nut, compared with conventional type.

Installing or removing flex wheel

Optional accessory

⚠ WARNING: Always use supplied guard when flex wheel is on tool. Wheel can shatter during use and guard helps to reduce chances of personal injury.

► Fig.9: 1. Lock nut 2. Flex wheel 3. Back up pad
4. Inner flange

Follow instructions for depressed center wheel but also use back up pad over wheel. See order of assembly on accessories page in this manual.

Installing or removing abrasive disc

Optional accessory

► Fig.10: 1. Sanding lock nut 2. Abrasive disc
3. Rubber pad

1. Mount the rubber pad onto the spindle.
2. Fit the disc on the rubber pad and screw the sanding lock nut onto the spindle.
3. Hold the spindle with the shaft lock, and securely tighten the sanding lock nut clockwise with the lock nut wrench.

To remove the disc, follow the installation procedure in reverse.

NOTE: Use sander accessories specified in this manual. These must be purchased separately.

OPERATION

⚠ WARNING: It should never be necessary to force the tool. The weight of the tool applies adequate pressure. Forcing and excessive pressure could cause dangerous wheel breakage.

⚠ WARNING: ALWAYS replace wheel if tool is dropped while grinding.

⚠ WARNING: NEVER bang or hit grinding disc or wheel onto work.

⚠ WARNING: Avoid bouncing and snagging the wheel, especially when working corners, sharp edges etc. This can cause loss of control and kickback.

⚠ WARNING: NEVER use tool with wood cutting blades and other saw blades. Such blades when used on a grinder frequently kick and cause loss of control leading to personal injury.

⚠ CAUTION: Never switch on the tool when it is in contact with the workpiece, it may cause an injury to operator.

⚠ CAUTION: Always wear safety goggles or a face shield during operation.

⚠ CAUTION: After operation, always switch off the tool and wait until the wheel has come to a complete stop before putting the tool down.

⚠ CAUTION: ALWAYS hold the tool firmly with one hand on housing and the other on the side grip (handle).

Grinding and sanding operation

► Fig.11

Turn the tool on and then apply the wheel or disc to the workpiece.

In general, keep the edge of the wheel or disc at an angle of about 15° to the workpiece surface. During the break-in period with a new wheel, do not work the grinder in forward direction or it may cut into the workpiece. Once the edge of the wheel has been rounded off by use, the wheel may be worked in both forward and backward direction.

Operation with abrasive cut-off / diamond wheel

Optional accessory

⚠ WARNING: When using an abrasive cut-off / diamond wheel, be sure to use only the special wheel guard designed for use with cut-off wheels.

(In some European countries, when using a diamond wheel, the ordinary guard can be used. Follow the regulations in your country.)

⚠ WARNING: NEVER use cut-off wheel for side grinding.

⚠ WARNING: Do not "jam" the wheel or apply excessive pressure. Do not attempt to make an excessive depth of cut. Overstressing the wheel increases the loading and susceptibility to twisting or binding of the wheel in the cut and the possibility of kickback, wheel breakage and overheating of the motor may occur.

⚠ WARNING: Do not start the cutting operation in the workpiece. Let the wheel reach full speed and carefully enter into the cut moving the tool forward over the workpiece surface. The wheel may bind, walk up or kickback if the power tool is started in the workpiece.

⚠ WARNING: During cutting operations, never change the angle of the wheel. Placing side pressure on the cut-off wheel (as in grinding) will cause the wheel to crack and break, causing serious personal injury.

⚠ WARNING: A diamond wheel shall be operated perpendicular to the material being cut.

► Fig.12: 1. Lock nut 2. Abrasive cut-off wheel / diamond wheel 3. Inner flange 4. Wheel guard for abrasive cut-off wheel / diamond wheel

As for the installation, follow the instructions for depressed center wheel.

The direction for mounting the lock nut and the inner flange varies by wheel type and thickness. Refer to the following figures.

For 100 mm (4") model

When installing the abrasive cut-off wheel:

► Fig.13: 1. Lock nut 2. Abrasive cut-off wheel (Thinner than 4mm (5/32")) 3. Abrasive cut-off wheel (4mm (5/32") or thicker) 4. Inner flange

When installing the diamond wheel:

► Fig.14: 1. Lock nut 2. Diamond wheel (Thinner than 4mm (5/32")) 3. Diamond wheel (4mm (5/32") or thicker) 4. Inner flange

For 115 mm (4 - 1/2") / 125 mm (5") model

When installing the abrasive cut-off wheel:

► Fig.15: 1. Lock nut 2. Abrasive cut-off wheel (Thinner than 4mm (5/32")) 3. Abrasive cut-off wheel (4mm (5/32") or thicker) 4. Inner flange

When installing the diamond wheel:

- **Fig.16:** 1. Lock nut 2. Diamond wheel (Thinner than 4mm (5/32")) 3. Diamond wheel (4mm (5/32") or thicker) 4. Inner flange

Operation with wire cup brush

Optional accessory

⚠CAUTION: Check operation of brush by running tool with no load, insuring that no one is in front of or in line with brush.

⚠CAUTION: Do not use brush that is damaged, or which is out of balance. Use of damaged brush could increase potential for injury from contact with broken brush wires.

- **Fig.17:** 1. Wire cup brush

Unplug tool and place it upside down allowing easy access to spindle.

Remove any accessories on spindle. Thread wire cup brush onto spindle and tighten with supplied wrench.

NOTICE: Avoid applying too much pressure which causes over bending of wires when using brush. It may lead to premature breakage.

Operation with wire wheel brush

Optional accessory

⚠CAUTION: Check operation of wire wheel brush by running tool with no load, insuring that no one is in front of or in line with the wire wheel brush.

⚠CAUTION: Do not use wire wheel brush that is damaged, or which is out of balance. Use of damaged wire wheel brush could increase potential for injury from contact with broken wires.

⚠CAUTION: ALWAYS use guard with wire wheel brushes, assuring diameter of wheel fits inside guard. Wheel can shatter during use and guard helps to reduce chances of personal injury.

- **Fig.18:** 1. Wire wheel brush

Unplug tool and place it upside down allowing easy access to spindle.

Remove any accessories on spindle. Thread wire wheel brush onto spindle and tighten with the wrenches.

NOTICE: Avoid applying too much pressure which causes over bending of wires when using wire wheel brush. It may lead to premature breakage.

MAINTENANCE

⚠CAUTION: Always be sure that the tool is switched off and unplugged before attempting to perform inspection or maintenance.

NOTICE: Never use gasoline, benzine, thinner, alcohol or the like. Discoloration, deformation or cracks may result.

Air vent cleaning

The tool and its air vents have to be kept clean. Regularly clean the tool's air vents or whenever the vents start to become obstructed.

- **Fig.19:** 1. Exhaust vent 2. Inhalation vent

To maintain product SAFETY and RELIABILITY, repairs, any other maintenance or adjustment should be performed by Makita Authorized or Factory Service Centers, always using Makita replacement parts.

OPTIONAL ACCESSORIES

⚠ CAUTION: These accessories or attachments are recommended for use with your Makita tool specified in this manual. The use of any other accessories or attachments might present a risk of injury to persons. Only use accessory or attachment for its stated purpose.

If you need any assistance for more details regarding these accessories, ask your local Makita Service Center.

► Fig.20

-	100 mm (4") model	115 mm (4-1/2") model	125 mm (5") model
1	Grip 36		
2	Wheel Guard (for grinding wheel)		
3	Inner flange	Inner flange / Super flange	
4	Depressed center wheel / Flap disc		
5	Lock nut		
6	Back up pad		
7	Flex wheel		
8	Rubber pad 76	Rubber pad 100	Rubber pad 115
9	Abrasive disc		
10	Sanding lock nut		
11	Wire wheel brush		
12	Wire cup brush		
13	Wheel Guard (for cut-off wheel) *1		
14	Abrasive cut-off wheel / Diamond wheel		
-	Lock nut wrench		

NOTE: *1 In some European countries, when using a diamond wheel, the ordinary guard can be used instead of the special guard covering the both side of the wheel. Follow the regulations in your country.

NOTE: Some items in the list may be included in the tool package as standard accessories. They may differ from country to country.

DANE TECHNICZNE

Model:	GA4030R	GA4530R	GA5030R
Średnica ściernicy	100mm (4")	115mm (4-1/2")	125mm (5")
Maks. grubość ściernicy	6,4mm	7,2mm	
Gwint wrzeciona	M10	M14 lub 5/8" (w zależności od kraju)	
Prędkość znamionowa (n)	11 000min ⁻¹		
Długość całkowita	266mm		
Ciężar netto	1,7kg	1,8kg	
Klasa bezpieczeństwa	□/II		

- W związku ze stale prowadzonym przez naszą firmę programem badawczo-rozwojowym niniejsze dane mogą ulec zmianom bez wcześniejszego powiadomienia.
- Dane techniczne mogą różnić się w zależności od kraju.
- Ciężar podany zgodnie z procedurą EPTA 01/2003.

Przeznaczenie

Omawiane narzędzie jest przeznaczone do szlifowania i cięcia materiałów metalowych i kamiennych bez użycia wody.

Zasilanie

Narzędzie wolno podłączać tylko do źródeł zasilania o napięciu zgodnym z napięciem podanym na tabliczce znamionowej. Można je zasilac wyłącznie jednofazowym prądem przemiennym. Narzędzie ma podwójną izolację, dlatego też można je zasilac z gniazda elektrycznego bez uziemienia.

Hałas

Typowy równoważny poziom dźwięku A określony w oparciu o normę EN60745:
 Poziom ciśnienia akustycznego (L_{pA}): 85 dB(A)
 Poziom mocy akustycznej (L_{WA}): 96 dB (A)
 Niepewność (K): 3 dB(A)

⚠ OSTRZEŻENIE: Nosić ochronniki słuchu.

Drgania

Całkowita wartość poziomu drgań (suma wektorów w 3 osiach) określona zgodnie z normą EN60745:

Model GA4030R

Tryb pracy: szlifowanie powierzchni
 Emisja drgań ($a_{h,AG}$): 7,0 m/s²
 Niepewność (K): 1,5 m/s²

Tryb pracy: szlifowanie krążkami ściernymi
 Emisja drgań ($a_{h,DS}$): 2,5 m/s² lub mniej
 Niepewność (K): 1,5 m/s²

Model GA4530R

Tryb pracy: szlifowanie powierzchni
 Emisja drgań ($a_{h,AG}$): 7,5 m/s²
 Niepewność (K): 1,5 m/s²

Tryb pracy: szlifowanie krążkami ściernymi
 Emisja drgań ($a_{h,DS}$): 2,5 m/s² lub mniej
 Niepewność (K): 1,5 m/s²

Model GA5030R

Tryb pracy: szlifowanie powierzchni

Emisja drgań ($a_{h,AG}$): 8,5 m/s²

Niepewność (K): 1,5 m/s²

Tryb pracy: szlifowanie krążkami ściernymi

Emisja drgań ($a_{h,DS}$): 2,5 m/s² lub mniej

Niepewność (K): 1,5 m/s²

WSKAZÓWKA: Deklarowana wartość wytwarzanych drgań została zmierzona zgodnie ze standardową metodą testową i można ją wykorzystać do porównywania narzędzi.

WSKAZÓWKA: Deklarowaną wartość wytwarzanych drgań można także wykorzystać we wstępnej ocenie narażenia.

⚠ OSTRZEŻENIE: Drgania wytwarzane podczas rzeczywistego użytkowania elektronarzędzia mogą się różnić od wartości deklarowanej, w zależności od sposobu jego użytkowania.

⚠ OSTRZEŻENIE: W oparciu o szacowane narażenie w rzeczywistych warunkach użytkowania należy określić środki bezpieczeństwa w celu ochrony operatora (uwzględniając wszystkie elementy cyklu działania, tj. czas, kiedy narzędzie jest wyłączone i kiedy pracuje na biegu jałowym, a także czas, kiedy jest włączone).

⚠ OSTRZEŻENIE: Deklarowaną wartość emisji drgań stosuje się do głównych zastosowań elektronarzędzia. Jeśli jednak elektronarzędzie będzie wykorzystywane do innych zastosowań, wartość emisji drgań może być inna.

Deklaracja zgodności WE

Dotyczy tylko krajów europejskich

Firma Makita oświadcza, że poniższe urządzenie(-a):

Oznaczenie maszyny: Szlifierka kątowa

Model nr/typ: GA4030R, GA4530R, GA5030R

Jest zgodne z wymogami określonymi w następujących dyrektywach europejskich: 2006/42/EC

Jest/są produkowane zgodnie z następującymi normami lub dokumentami normalizacyjnymi: EN60745

Dokumentacja techniczna zgodna w wymaganiach dyrektywy 2006/42/EC jest dostępna w:

Makita, Jan-Baptist Vinkstraat 2, 3070, Belgia



Yasushi Fukaya
Dyrektor
Makita, Jan-Baptist Vinkstraat 2, 3070, Belgia

Ogólne zasady bezpiecznej eksploatacji elektronarzędzi

⚠️ OSTRZEŻENIE: Przeczytać wszystkie ostrzeżenia bezpieczeństwa i wszystkie instrukcje. Niezastosowanie się do wspomnianych ostrzeżeń i instrukcji może doprowadzić do porażenia prądem elektrycznym, pożaru i/lub poważnych obrażeń ciała.

Wszystkie ostrzeżenia i instrukcje należy zachować do wykorzystania w przyszłości.

Pojęcie „elektronarzędzie”, występujące w wymienionych tu ostrzeżeniach, odnosi się do elektronarzędzia zasilanego z sieci elektrycznej (z przewodem zasilającym) lub do elektronarzędzia akumulatorowego (bez przewodu zasilającego).

Ostrzeżenia dotyczące bezpieczeństwa dla szlifierki

Ostrzeżenia dotyczące bezpieczeństwa podczas operacji szlifowania, czyszczenia powierzchni szcztoką drucianą lub cięcia przy użyciu ściernicy:

1. **Opisywane elektronarzędzie jest przeznaczone do szlifowania, czyszczenia powierzchni szcztoką drucianą i cięcia. Należy zapoznać się z ostrzeżeniami dotyczącymi bezpieczeństwa, instrukcjami, ilustracjami i danymi technicznymi dołączonymi do tego elektronarzędzia.** Niezastosowanie się do podanych poniżej instrukcji może prowadzić do porażenia prądem elektrycznym, pożaru i/lub poważnych obrażeń ciała.
2. **Nie zaleca się używania niniejszego elektronarzędzia do wykonywania takich operacji jak polerowanie.** Operacje, do których elektronarzędzie nie jest przeznaczone, mogą stwarzać zagrożenie i spowodować obrażenia ciała.
3. **Nie używać osprzętu, który nie jest przeznaczony ani zalecany specjalnie do tego narzędzia przez jego producenta.** Fakt, że osprzęt można zamocować do posiadanego elektronarzędzia, wcale nie gwarantuje bezpiecznej pracy.
4. **Prędkość znamionowa osprzętu powinna być przynajmniej równa maksymalnej prędkości podanej na elektronarzędziu.** Osprzęt pracujący przy większej prędkości niż jego prędkość znamionowa może pęknąć i rozpaść się na kawałki.
5. **Zewnętrzna średnica i grubość osprzętu musi mieścić się w zakresie dopuszczalnym dla tego elektronarzędzia.** Nie można zapewnić prawidłowej osłony i kontroli osprzętu o niewłaściwym rozmiarze.

6. **Osprzęt montowany na gwint musi pasować do gwintu wrzeczona szlifierki. W przypadku osprzętu montowanego przy użyciu kolnierzy otwór wewnętrzny osprzętu musi pasować do średnicy kolnierza.** Osprzęt, który nie jest dopasowany do uchwyty mocującego w elektronarzędziu będzie niewyważony podczas pracy, powodując nadmierne drgania i ryzyko utraty kontroli nad narzędziem.
7. **Nie używać uszkodzonego osprzętu. Przed każdorazowym użyciem osprzęt, np. ściernice, należy skontrolować pod kątem ubytków lub pęknięć, tarcze oporowe należy skontrolować pod kątem pęknięć, uszkodzeń lub nadmiernego zużycia, a szcztoki druciane pod kątem luźnych lub popękanych drutów. W przypadku upuszczenia elektronarzędzia lub osprzętu należy sprawdzić, czy nie doszło do uszkodzenia, lub zamontować nieuszkodzony osprzęt. Po sprawdzeniu bądź zamontowaniu osprzętu należy stanąć w taki sposób i tak ustawić narzędzie, aby nikt nie znajdował się w płaszczyźnie obrotu osprzętu, po czym na jedną minutę uruchomić elektronarzędzie z maksymalną prędkością bez obciążenia.** Uszkodzony osprzęt zazwyczaj rozpadnie się podczas takiej próby.
8. **Używać środków ochrony osobistej. W zależności od wykonywanej operacji należy używać osłony twarzy, gogli lub okularów ochronnych. W miarę potrzeb zakładać maskę przeciwpyłową, ochronniki słuchu, rękawice i fartuch, który zatrzyma drobiny materiału ściernego i obrabianego przedmiotu.** Środki ochrony oczu powinny zatrzymywać unoszące się w powietrzu drobiny materiału, które powstają podczas różnych operacji. Maski przeciwpyłowa lub oddechowa powinna filtrować cząsteczki, które powstają podczas pracy. Przebywanie przez dłuższy czas w hałasie o dużym natężeniu może spowodować utratę słuchu.
9. **Trzymać osoby postronne w bezpiecznej odległości od miejsca pracy. Każdy, kto wchodzi do obszaru roboczego, musi używać środków ochrony osobistej.** Fragmenty materiału z obrabianego elementu lub pękniętego osprzętu mogą zostać odrzucone na dużą odległość i spowodować obrażenia poza bezpośrednim obszarem roboczym.
10. **Trzymać elektronarzędzie za izolowane powierzchnie rękojeści podczas wykonywania prac, przy których osprzęt tnący może dotknąć niewidocznej instalacji elektrycznej.** Zetknięcie osprzętu tnącego z przewodem elektrycznym znajdującym się pod napięciem może spowodować, że odsłonięte elementy metalowe elektronarzędzia również znajdą się pod napięciem, grożąc porażeniem operatora prądem elektrycznym.
11. **Przewód należy trzymać w bezpiecznej odległości od wirującego osprzętu.** W przypadku utraty kontroli przewód może zostać przecięty lub wkręcony, wciągając dłoń lub rękę w wirujący osprzęt.
12. **Nie wolno odkładać elektronarzędzia, dopóki zamontowany osprzęt całkowicie się nie zatrzyma.** Wirujący osprzęt może zahaczyć o powierzchnię i wyrwać elektronarzędzie z ręki.
13. **Uruchomione elektronarzędzia nie wolno przenosić z miejsca na miejsce.** Przypadkowy kontakt z wirującym osprzętem może spowodować zahaczenie ubrania i obrażenia ciała.

14. **Otwory wentylacyjne elektronarzędzia należy regularnie czyścić.** Wentylator silnika wciąga do wnętrza obudowy pył. Zbyt duże nagromadzenie metalowych drobin stwarza zagrożenia elektryczne.
15. **Nie używać elektronarzędzia w pobliżu materiałów łatwopalnych.** Iskry mogą spowodować zapłon takich materiałów.
16. **Nie używać osprzętu, który wymaga stosowania ciepłego chłodziwa.** Użycie wody lub innych ciekłych chłodziw może spowodować porażenie prądem elektrycznym, także śmiertelne.

Odrzut i związane z nim ostrzeżenia

Odrzut to gwałtowna reakcja narzędzia na zakleszczenie lub zahaczenie obracającej się ściernicy, tarczy oprowej, szczotki drucianej lub innego rodzaju osprzętu. Zakleszczenie lub zahaczenie powoduje nagłe zatrzymanie obracającego się osprzętu, co z kolei prowadzi do niekontrolowanego odrzutu elektronarzędzia do kierunku obrotu osprzętu w miejscu zakleszczenia. Przykładowo, jeśli ściernica zahaczy się lub zakleszczy w obrabianym elemencie, jej krawędź w punkcie zakleszczenia może wbić się powierzchnie materiału, powodując wypychanie i odskoczenie narzędzia na zewnątrz elementu. Ściernica może odskoczyć w stronę operatora lub w kierunku przeciwnym, w zależności od kierunku obrotów ściernicy w punkcie zakleszczenia. W takich warunkach może również dojść do pęknięcia ściernicy.

Odrzut jest wynikiem nieprawidłowego używania elektronarzędzia i/lub niewłaściwych procedur lub warunków jego obsługi. Można tego uniknąć, podejmując odpowiednie środki ostrożności, które podano poniżej.

1. **Przez cały czas należy mocno trzymać elektronarzędzie, ustawiając ciało i ramię w taki sposób, aby przeciwdziałać siłom odrzutu. Zawsze należy korzystać z rękawicy pomocniczej, jeśli jest w zestawie, aby móc w pełni kontrolować odrzut lub przeciwdziałać momentowi obrotowemu podczas rozruchu.** Operator może kontrolować reakcje na moment obrotowy lub siły odrzutu w przypadku stosowania odpowiednich środków ostrożności.
2. **Nie wolno trzymać rąk w pobliżu obracającego się osprzętu.** Może bowiem nastąpić odrzut w kierunku ręki.
3. **Ciało operatora nie powinno znajdować się w obszarze, do którego przemieści się elektronarzędzie w przypadku wystąpienia odrzutu.** Odrzut spowoduje wyrzucenie narzędzia w kierunku przeciwnym do kierunku obrotów ściernicy w miejscu zakleszczenia.
4. **Zachować szczególną ostrożność podczas obróbki narożników, ostrych krawędzi itp. Nie dopuszczać do odskakiwania i zahaczenia się osprzętu.** Narożniki, ostre krawędzie lub odskakiwanie sprzyjają zahaczeniu obracającego się osprzętu i mogą spowodować utratę kontroli lub odrzut.
5. **Nie wolno montować do elektronarzędzia tarcz łańcuchowych do cięcia drewna ani zębatach tarcz tnących.** Tego typu tarcze często powodują odrzut i utratę kontroli.

Ostrzeżenia dotyczące bezpieczeństwa podczas operacji szlifowania i cięcia przy użyciu ściernicy:

1. **Używać wyłącznie ściernicy zalecanych do posiadanego elektronarzędzia oraz specjalnych osłon przeznaczonych do wybranego rodzaju ściernicy.** Nie można zapewnić prawidłowej osłony ściernic, do których elektronarzędzie nie jest przeznaczone. Takie ściernice są niebezpieczne.
2. **Powierzchnia szlifowania ściernic z obniżonym środkiem musi być zamontowana poniżej płaszczyzny krawędzi osłony.** Nieprawidłowo zamontowana ściernica, która wystaje poza płaszczyznę krawędzi osłony, nie może być odpowiednio zabezpieczona.
3. **Osłona powinna być dobrze przymocowana do elektronarzędzia i ustawiona w sposób zapewniający maksimum bezpieczeństwa, tak aby w stronę operatora był skierowany jak najmniejszy fragment odsłoniętej ściernicy.** Osłona chroni operatora przed wykuszonymi odłamkami ściernicy, przypadkowym kontaktem ze ściernicą oraz przed iskrami, które mogłyby zapalić odzież.
4. **Ściernicę należy używać tylko zgodnie z przeznaczeniem. Na przykład: nie wolno szlifować boczną powierzchnią ściernicy tnącej.** Ściernice tnące są przeznaczone do szlifowania obwodowego. Siły boczne przyłożone do takich ściernic mogą spowodować ich rozpadnięcie.
5. **Zawsze używać nieuszkodzonych kołnierzy mocujących o rozmiarze i kształcie właściwie dobranym do wybranego rodzaju ściernicy.** Odpowiednie kołnierze mocujące podtrzymują ściernicę, zmniejszając tym samym prawdopodobieństwo jej pęknięcia. Kołnierze do ściernic tnących mogą różnić się od kołnierzy do ściernic szlifarskich.
6. **Nie używać zużytych ściernic przeznaczonych do większych elektronarzędzi.** Ściernica przeznaczona do większych elektronarzędzi nie nadaje się do użytku przy wyższych prędkościach występujących w mniejszych narzędziach i może się rozpaść.

Dodatkowe ostrzeżenia dotyczące bezpieczeństwa podczas operacji cięcia przy użyciu ściernicy:

1. **Nie wolno doprowadzać do zakleszczenia ściernicy tnącej ani stosować zbyt dużego nacisku. Unikać cięć o zbyt dużej głębokości.** Przeciążona ściernica jest bardziej podatna na skręcenie lub zakleszczenie w miejscu cięcia, co stwarza większe prawdopodobieństwo odrzutu lub pęknięcia ściernicy.
2. **Ciało operatora nie powinno znajdować się w płaszczyźnie obrotu ściernicy ani za obracającą się ściernicą.** Gdy ściernica odsuwa się podczas pracy od operatora, ewentualny odrzut może wypchnąć wirującą ściernicę i elektronarzędzie bezpośrednio w kierunku operatora.
3. **W przypadku zakleszczenia się ściernicy lub przerwania cięcia z jakiegokolwiek powodu, należy wyłączyć elektronarzędzie i trzymać je w bezruchu do momentu całkowitego zatrzymania się ściernicy.** Nie wolno wyciągać ściernicy tnącej z przecinanego elementu, gdy ściernica znajduje się w ruchu; w przeciwnym razie może wystąpić odrzut. Zbadać przyczynę zakleszczenia się ściernicy i podjąć stosowne działanie, aby wyeliminować ten problem.

4. Nie wolno wznawiać cięcia, gdy ściernica znajduje się w przecinanym elemencie. Ściernicę można ponownie włożyć do naciętej szczeliny dopiero, gdy osiągnie pełną prędkość. Jeśli elektronarzędzie zostanie ponownie uruchomione, gdy ściernica znajduje się w przecinanym elemencie, ściernica może się zakleszczyć, wędrować po materiale lub może wystąpić odrzut.
5. Duże elementy lub płyty należy podierać, aby zminimalizować ryzyko zakleszczenia ściernicy i wystąpienia odrzutu. Duże elementy mają tendencję do uginania się pod własnym ciężarem. Podpory muszą być umieszczone pod przecinanym elementem w pobliżu linii cięcia oraz w pobliżu krawędzi przecinanego elementu, po obu stronach ściernicy.
6. Należy zachować szczególną ostrożność w przypadku wykonywania „cięć wgłębnych” w istniejących ścianach bądź innych zakrytych przestrzeniach. Wystająca ściernica może przeciąć rury sieci gazowej lub wodociągowej, przewody elektryczne lub przedmioty, które z kolei mogą wywołać odrzut.

Specjalne ostrzeżenia dotyczące bezpieczeństwa podczas operacji szlifowania:

1. Nie należy używać krążków papieru ściernego o zbyt dużej średnicy. Przy doborze papieru ściernego należy kierować się zaleceniami producenta. Papier ścierny o zbyt dużych wymiarach, wystający poza obręb talerza szlifierskiego, grozi zranieniem i może powodować zaczepianie, rozrywanie krążka lub odrzut.

Specjalne ostrzeżenia dotyczące bezpieczeństwa podczas operacji czyszczenia powierzchni szczotką drucianą:

1. Należy mieć świadomość, że nawet podczas zwykłej pracy ze szczotki są wyrzucane kawałki drutów. Nie wolno nadmiernie naprężyć drutów przez wywieranie zbyt dużego nacisku na szczotkę. Druty ze szczotki mogą z łatwością przebić lekkie ubranie i/lub skórę.
2. Jeśli podczas operacji czyszczenia powierzchni szczotką drucianą wskazane jest używanie osłony, należy uważać, aby szczotka tarczowa ani druciana nie ocierały o osłonę. Średnica szczotki tarczowej lub drucianej może podczas pracy ulegać zwiększeniu pod wpływem obciążenia roboczego i sił odśrodkowych.

Dodatkowe ostrzeżenia dotyczące bezpieczeństwa:

1. W przypadku używania ściernic z obniżonym środkiem należy używać wyłącznie ściernic wzmocnionych włóknem szklanym.
2. NIE WOLNO używać w tej szlifierce ściernic garnkowych. Niniejsza szlifierka nie jest przewidziana do tego rodzaju ściernic i ich używanie może spowodować poważne obrażenia ciała.
3. Uważać, aby nie uszkodzić wrzeciona, kołnierza (zwłaszcza powierzchni odpowiedzialnych za prawidłowy montaż) ani nakrętki zabezpieczającej. Uszkodzenie tych części może stać się przyczyną pęknięcia ściernicy.
4. Przed włączeniem przełącznika należy się upewnić, że ściernica nie dotyka obrabianego elementu.

5. Przed rozpoczęciem obróbki danego elementu pozwolić, aby urządzenie popracowało przez chwilę bez obciążenia. Zwracać uwagę na ewentualne drgania lub bicie osiowe, które mogą wskazywać na nieprawidłowe zamocowanie lub niedokładne wyważenie ściernicy.
6. Podczas szlifowania używać określonej powierzchni ściernicy.
7. Nie pozostawiać włączonego narzędzia. Narzędzie można uruchomić tylko, gdy jest trzymane w rękach.
8. Nie dotykać elementu obrabianego od razu po zakończeniu danej operacji; może być on bardzo gorący i spowodować oparzenie skóry.
9. Przestrzegać instrukcji producenta w zakresie mocowania i użytkowania ściernic. Ściernice przechowywać i obchodzić się z nimi z dbałością.
10. Nie wolno używać oddzielnych tulei redukcyjnych ani elementów pośrednich w celu zamocowania ściernic o dużym otworze wewnętrznym.
11. Używać wyłącznie kołnierzy przeznaczonych do tego narzędzia.
12. W przypadku narzędzi współpracujących ze ściernicami z nagwintowanym otworem należy sprawdzić, czy długość gwintu w ściernicy jest wystarczająca, aby wkręcić wrzeciono na całą długość.
13. Sprawdzić, czy obrabiany element jest dobrze podparty.
14. Należy pamiętać, że po wyłączeniu narzędzia ściernica nadal się obraca.
15. Jeśli w miejscu pracy panuje wyjątkowo wysoka temperatura i wilgotność albo występuje silnie zanieczyszczone przewodzącym pyłem, należy zastosować wyłącznik (30 mA), aby zapewnić operatorowi bezpieczeństwo.
16. Nie wolno używać tego narzędzia do obróbki materiałów zawierających azbest.
17. W przypadku używania ściernicy tnącej należy zawsze stosować osłonę do odsysania pyłu wymaganą przez obowiązujące przepisy krajowe.
18. Na ściernice tnące nie wolno wywierać nacisku poprzecznego.
19. Podczas pracy nie należy używać materiałowych rękawic roboczych. Włókna z rękawic materiałowych mogą zostać pochwycone przez narzędzie, co może spowodować uszkodzenie narzędzia.

ZACHOWAĆ NINIEJSZĄ INSTRUKCJĘ.

▲ OSTRZEŻENIE: NIE WOLNO pozwolić, aby wygoda lub rutyna (nabyta w wyniku wielokrotnego używania urządzenia) zastąpiły ścisłe przestrzeganie zasad bezpieczeństwa obsługi. NIEWŁAŚCIWE UŻYTKOWANIE narzędzia lub niestosowanie się do zasad bezpieczeństwa podanych w niniejszej instrukcji obsługi może prowadzić do poważnych obrażeń ciała.

OPIS DZIAŁANIA

▲PRZESTROGA: Przed rozpoczęciem regulacji lub sprawdzeniem działania narzędzia należy upewnić się, że jest ono wyłączone i nie podłączone do sieci.

Blokada wałka

Przed przystąpieniem do zakładania bądź zdejmowania osprzętu należy nacisnąć blokadę wałka, aby unieruchomić wrzeciono.

► Rys.1: 1. Blokada wałka

UWAGA: Nie wolno włączać blokady wałka, gdy wrzeciono jest w ruchu. Narzędzie może ulec uszkodzeniu.

Działanie przełącznika

▲PRZESTROGA: Przed podłączeniem narzędzia do zasilania należy zawsze sprawdzić, czy przełącznik suwakowy działa prawidłowo oraz czy po naciśnięciu jego tylnej części powraca on do położenia wyłączenia.

▲PRZESTROGA: W celu ułatwienia obsługi i dla wygody operatora podczas długotrwałej pracy z użyciem narzędzia przełącznik można zablokować w pozycji włączonej. Podczas pracy z przełącznikiem zablokowanym w pozycji włączonej należy zachować ostrożność i pewnie trzymać narzędzie.

W celu uruchomienia narzędzia należy przesunąć przełącznik suwakowy w kierunku położenia „I (wł.)”, popychając tylną część przełącznika suwakowego. Pracę ciągną można uzyskać po naciśnięciu przedniej części przełącznika suwakowego w celu jego zablokowania. Aby wyłączyć narzędzie, należy nacisnąć tylną część przełącznika suwakowego, a następnie przesunąć go do położenia „O (wyl.)”.

► Rys.2: 1. Przełącznik suwakowy

Zabezpieczenie przed przypadkowym włączeniem

Gdy przełącznik jest zablokowany w położeniu włączenia, narzędzie nie uruchomi się po podłączeniu zasilania.

W celu wyłączenia zabezpieczenia przed przypadkowym włączeniem należy ponownie przesunąć przełącznik zasilania do położenia wyłączenia.

WSKAZÓWKA: W przypadku działania zabezpieczenia przed przypadkowym włączeniem przed ponownym uruchomieniem narzędzia należy poczekać co najmniej jedną sekundę.

WSKAZÓWKA: W przypadku przeciążenia narzędzia i osiągnięcia przez narzędzie określonej temperatury narzędzie może zostać automatycznie wyłączone. W takiej sytuacji przed ponownym włączeniem narzędzia należy poczekać, aż narzędzie ostygnie.

Funkcja łagodnego rozruchu

Funkcja łagodnego rozruchu niweluje występowanie wstrząsu przy rozruchu.

MONTAŻ

▲PRZESTROGA: Przed wykonywaniem jakichkolwiek prac przy narzędziu należy upewnić się, że jest ono wyłączone i odłączone od zasilania.

Zakładanie uchwytu bocznego (rękojeści)

▲PRZESTROGA: Przed uruchomieniem należy zawsze sprawdzić, czy uchwyt boczny jest dobrze zamontowany.

Uchwyt boczny należy dobrze przykręcić w odpowiednim miejscu narzędzia, jak pokazano na rysunku.

► Rys.3

Zakładanie lub zdejmowanie osłony ściernicy (ściernicy z obniżonym środkiem, ściernicy lamelkowej, ściernicy elastycznej, drucianej szczołki tarczowej / ściernicy tnącej, tarczy diamentowej)

▲OSTRZEŻENIE: W przypadku używania ściernicy z obniżonym środkiem, ściernicy lamelkowej, ściernicy elastycznej lub drucianej szczołki tarczowej osłonę ściernicy należy zamontować na narzędziu w taki sposób, aby jej zamknięta część była zawsze zwrócona w stronę operatora.

▲OSTRZEŻENIE: W przypadku używania ściernicy tnącej / tarczy diamentowej należy używać wyłączenia specjalnej osłony przeznaczonej do tego typu ściernic.

(W niektórych krajach europejskich w przypadku stosowania tarczy diamentowej można używać zwykłej osłony. Należy przestrzegać przepisów obowiązujących w danym kraju).

Narzędzie z osłoną ściernicy wyposażoną w śrubę zabezpieczającą

Zamontować osłonę ściernicy, tak aby występy na kołnierzu osłony ściernicy pokrywały się z wycięciami w obudowie łożyska. Następnie obrócić osłonę ściernicy o taki kąt, aby zapewniała bezpieczeństwo operatora podczas pracy. Pamiętaj o mocnym dokręceniu śruby. Aby zdjąć osłonę ściernicy, należy wykonać czynności procedury zamontowania w odwrotnej kolejności.

► Rys.4: 1. Osłona ściernicy 2. Obudowa łożyska 3. Śruba

Narzędzie z osłoną ściernicy wyposażoną w dźwignię zaciskową

Poluzować śrubę, a następnie pociągnąć dźwignię w kierunku wskaazywanym strzałką. Zamontować osłonę ściernicy, tak aby występy na kołnierzu osłony ściernicy pokrywały się z wycięciami w obudowie łożyska. Następnie obrócić osłonę ściernicy o taki kąt, aby zapewniała bezpieczeństwo operatora podczas pracy.

- **Rys.5:** 1. Osłona ściernicy 2. Obudowa łożyska
3. Śruba 4. Dźwignia

Pociągnąć dźwignię w kierunku wskaazywanym strzałką. Następnie zablokować osłonę ściernicy śrubą mocującą. Pamiętać o mocnym dokręceniu śruby. Kąt ustawienia osłony ściernicy można regulować za pomocą dźwigni.

- **Rys.6:** 1. Śruba 2. Dźwignia

Ab y zdjąć osłonę ściernicy, należy wykonać czynności procedury zamontowania w odwrotnej kolejności.

Zakładanie i zdejmowanie ściernicy z obniżonym środkiem lub ściernicy lamelkowej

Akcesoria opcjonalne

▲ OSTRZEŻENIE: W przypadku używania ściernicy z obniżonym środkiem lub ściernicy lamelkowej osłonę ściernicy należy zamontować na narzędziu w taki sposób, aby jej zamknięta część była zawsze zwrócona w stronę operatora.

▲ PRZESTROGA: Upewnić się, że część mocująca kołnierza wewnętrznego pasuje idealnie do wewnętrznej średnicy ściernicy z obniżonym środkiem / ściernicy lamelkowej. Założenie kołnierza wewnętrznego po niewłaściwej stronie może spowodować wystąpienie niebezpiecznych wibracji.

Założyć kołnierz wewnętrzny na wrzeciono. Upewnić się, że część kołnierza wewnętrznego z wcięciem jest dopasowana do prostej części na spodzie wrzeciona.

Założyć ściernicę z obniżonym środkiem / ściernicę lamelkową na kołnierzu wewnętrznym i nakręcić nakrętką zabezpieczającą na wrzeciono.

- **Rys.7:** 1. Nakrętka zabezpieczająca 2. Ściernica z obniżonym środkiem 3. Kołnierz wewnętrzny 4. Część mocowania

W celu dokręcenia nakrętki zabezpieczającej należy mocno docisnąć blokadę wałka, aby unieruchomić wrzeciono, a następnie mocno dokręcić w prawo nakrętkę zabezpieczającą kluczem.

- **Rys.8:** 1. Klucz do nakrętki zabezpieczającej 2. Blokada wałka

Ab y zdjąć ściernicę, należy wykonać czynności procedury zamontowania w odwrotnej kolejności.

Super podkładka

Akcesoria opcjonalne

Tylko dla narzędzi z gwintem wrzeciona M14.

Modele oznaczone literą F są standardowo wyposażone w super podkładkę. Odkręcenie nakrętki zabezpieczającej wymaga użycia tylko 1/3 siły w porównaniu z konwencjonalnym kołnierzem.

Zakładanie lub zdejmowanie ściernicy elastycznej

Akcesoria opcjonalne

▲ OSTRZEŻENIE: W przypadku zamontowania na narzędziu ściernicy elastycznej należy zawsze używać dostarczonej osłony. Ściernica może się rozpaść podczas użytkowania, zaś osłona ogranicza ryzyko obrażeń ciała.

- **Rys.9:** 1. Nakrętka zabezpieczająca 2. Ściernica elastyczna 3. Tarcza oporowa 4. Kołnierz wewnętrzny

Należy przestrzegać instrukcji dotyczących ściernicy z obniżonym środkiem, pamiętając również o umieszczeniu na ściernicy tarczy oporowej. Patrz zamawianie zestawu na stronie w osprzętem w niniejszej instrukcji.

Zakładanie lub zdejmowanie krążków ściernych

Akcesoria opcjonalne

- **Rys.10:** 1. Nakrętka zabezpieczająca krążek ścierny 2. Krążek ścierny 3. Gumowy talerz szlifierski

1. Zamontować gumowy talerz szlifierski na wrzeciono.
2. Umieścić krążek na gumowym talerzu szlifierskim i nakręcić nakrętkę zabezpieczającą krążek ścierny na wrzeciono.
3. Unieruchomić wrzeciono za pomocą blokady wałka i mocno dokręcić nakrętkę zabezpieczającą krążek ścierny w prawą stronę kluczem do nakrętek zabezpieczających.

Ab y zdjąć krążek ścierny, należy wykonać czynności procedury zamontowania w odwrotnej kolejności.

WSKAZÓWKA: Należy używać wyłącznie osprzętu do szlifierek określonego w niniejszej instrukcji. Osprzęt ten należy nabyć oddzielnie.

OBSŁUGA

⚠️ OSTRZEŻENIE: W żadnym wypadku nie należy dociskać narzędzia podczas pracy. Sam ciężar narzędzia zapewni wystarczający nacisk. Stosowanie siły i nadmiernego docisku może doprowadzić do niebezpiecznego pęknięcia ściernicy.

⚠️ OSTRZEŻENIE: Jeśli podczas szlifowania narzędzie upadnie, ściernicę należy **BEZWZGLĘDNI**e wymienić.

⚠️ OSTRZEŻENIE: **NIE WOLNO** w żadnym wypadku uderzać tarczą ani ściernicą w obrabiany element.

⚠️ OSTRZEŻENIE: Unikać podsłaskiwania i zaczepiania się ściernicy, zwłaszcza podczas obróbki narożników, ostrych krawędzi itp. Może to doprowadzić do utraty kontroli i do wystąpienia odrzutu.

⚠️ OSTRZEŻENIE: **NIE WOLNO** używać narzędzia z tarczami do cięcia drewna ani innymi tarczami tnącymi. Używanie tego typu tarcz w szlifierce prowadzi często do wystąpienia odrzutu i utraty kontroli nad narzędziem, a w konsekwencji do obrażeń ciała.

⚠️ PRZESTROGA: Nie wolno włączać narzędzia, gdy dotyka ono obrabianego elementu, gdyż może to spowodować obrażenia ciała u operatora.

⚠️ PRZESTROGA: Podczas pracy należy zawsze nosić okulary ochronne lub osłonę twarzy.

⚠️ PRZESTROGA: Po zakończeniu pracy należy zawsze wyłączyć narzędzie, a przed jego odłożeniem odczekać, aż ściernica całkowicie się zatrzyma.

⚠️ PRZESTROGA: Narzędzie należy **ZAWSZE** mocno trzymać z jedną ręką na obudowie, a drugą na uchwycie bocznym (uchwyt).

Szlifowanie ściernicą i krążkiem ściernym

► Rys. 11

Włączyć narzędzie, a następnie przyłożyć ściernicę lub krążek ścierny do obrabianego elementu.

Na ogół krawędź ściernicy lub krążka ściernego należy trzymać pod kątem około 15 stopni względem powierzchni obrabianego elementu.

Podczas docierania nowej ściernicy nie należy prowadzić szlifierki w kierunku do przodu, ponieważ ściernica może się wciąć w obrabiany element. Gdy krawędź ściernicy zostanie zaokrąglona w wyniku użytkowania, ściernicę można prowadzić zarówno w kierunku do przodu, jak i do tyłu.

Praca z użyciem ściernicy tnącej / tarczy diamentowej

Aksesoria opcjonalne

⚠️ OSTRZEŻENIE: W przypadku używania ściernicy tnącej / tarczy diamentowej należy używać wyłącznie specjalnej osłony przeznaczonej do tego typu ściernic.

(W niektórych krajach europejskich w przypadku stosowania tarczy diamentowej można używać zwykłej osłony. Należy przestrzegać przepisów obowiązujących w danym kraju).

⚠️ OSTRZEŻENIE: Ściernicy tnącej **NIE WOLNO** używać do szlifowania bocznego.

⚠️ OSTRZEŻENIE: Nie wolno doprowadzać do zakleszczania się ściernicy ani wywierać nadmiernego nacisku. Unikać cięć o zbyt dużej głębokości. Przeciążenie ściernicy zwiększa obciążenie i podatność ściernicy na skręcanie i zakleszczanie w miejscu cięcia, a także prawdopodobieństwo odrzutu lub pęknięcia tarczy. Może również dojść do przegrzania silnika.

⚠️ OSTRZEŻENIE: Nie wolno rozpoczynać operacji cięcia, gdy tarcza znajduje się w przecinanym elemencie. Należy poczekać, aż ściernica uzyska pełną prędkość i dopiero wówczas ostrożnie wprowadzić ją do nacięcia, przesuwając narzędzie do przodu po powierzchni przecinanego elementu. Jeśli elektronarzędzie zostanie uruchomione, gdy ściernica znajduje się w przecinanym elemencie, ściernica może się zakleszczyć, wędrować po materiale lub może wystąpić odrzut.

⚠️ OSTRZEŻENIE: Podczas operacji cięcia nie wolno zmieniać kąta prowadzenia ściernicy. Wywieranie bocznego nacisku na ściernicę tnącą (jak to ma miejsce w przypadku szlifowania) spowoduje pęknięcie i rozpadnięcie się ściernicy, powodując poważne obrażenia ciała.

⚠️ OSTRZEŻENIE: Tarczę diamentową należy prowadzić prostopadłe do ciętego materialu.

► **Rys. 12:** 1. Nakrętka zabezpieczająca 2. Ściernica tnąca / tarcza diamentowa 3. Kolnierz wewnętrzny 4. Osłona ściernicy tnącej / tarczy diamentowej

W celu założenia należy postępować zgodnie z instrukcjami dotyczącymi ściernicy z obniżonym środkiem.

Orientacja nakrętki zabezpieczającej i kolnierza wewnętrznego zależy od typu i grubości ściernicy. Patrz następne rysunki.

Model o średnicy 100 mm (4")

W przypadku montażu ściernicy tnącej:

► **Rys. 13:** 1. Nakrętka zabezpieczająca 2. Ściernica tnąca (cieńsza niż 4 mm (5/32"))
3. Ściernica tnąca (4 mm (5/32")) lub grubszą 4. Kolnierz wewnętrzny

W przypadku montażu tarczy diamentowej:

► **Rys. 14:** 1. Nakrętka zabezpieczająca 2. Tarcza diamentowa (cieńsza niż 4 mm (5/32"))
3. Tarcza diamentowa (4 mm (5/32")) lub grubszą 4. Kolnierz wewnętrzny

Model o średnicy 115 mm (4 - 1/2") / 125 mm (5")

W przypadku montażu ściernicy tnącej:

- **Rys.15:** 1. Nakrętka zabezpieczająca 2. Ściernica tnąca (cieńsza niż 4 mm (5/32"))
3. Ściernica tnąca (4 mm (5/32")) lub grubszą 4. Kolnierz wewnętrzny

W przypadku montażu tarczy diamentowej:

- **Rys.16:** 1. Nakrętka zabezpieczająca 2. Tarcza diamentowa (cieńsza niż 4 mm (5/32"))
3. Tarcza diamentowa (4 mm (5/32")) lub grubsza 4. Kolnierz wewnętrzny

Praca z użyciem drucianej szczotki garnkowej

Akcesoria opcjonalne

⚠ PRZESTROGA: Sprawdzić działanie szczotki, uruchamiając narzędzie bez obciążenia po upewnieniu się, że przed szczotką ani w płaszczyźnie jej obrotu nikogo nie ma.

⚠ PRZESTROGA: Nie wolno używać szczotki, która jest uszkodzona lub niewyważona. Używanie uszkodzonej szczotki mogłoby zwiększyć ryzyko odniesienia obrażeń w kontakcie z połamanymi drutami szczotki.

- **Rys.17:** 1. Drucziana szczotka garnkowa

Odłączyć narzędzie i odwrócić spodem do góry, aby uzyskać łatwy dostęp do wrzeciona. Zdjąć ewentualny osprzęt z wrzeciona. Nakręcić druczianą szczotkę garnkową na wrzeciono i dokręcić dołączonym kluczem.

UWAGA: Unikać przykładania zbyt dużego docisku, który powoduje nadmierne wyginanie drutów podczas używania szczotki. Może to doprowadzić do przedwczesnego zużycia szczotki.

Praca z użyciem drucianej szczotki tarczowej

Akcesoria opcjonalne

⚠ PRZESTROGA: Sprawdzić działanie druczianej szczotki tarczowej, uruchamiając narzędzie bez obciążenia po uprzednim upewnieniu się, że przed druczianą szczotką tarczową ani w płaszczyźnie jej obrotu nikogo nie ma.

⚠ PRZESTROGA: Nie wolno używać druczianej szczotki tarczowej, która jest uszkodzona lub niewyważona. Używanie uszkodzonej druczianej szczotki tarczowej mogłoby zwiększyć ryzyko odniesienia obrażeń w kontakcie z połamanymi drutami szczotki.

⚠ PRZESTROGA: ZAWSZE należy stosować osłonę druczianej szczotki tarczowej, upewniając się, że jej średnica mieści się w osłonie. Ściernica może się rozpaść podczas użytkowania, zaś osłona ogranicza ryzyko obrażeń ciała.

- **Rys.18:** 1. Drucziana szczotka tarczowa

Odłączyć narzędzie i odwrócić spodem do góry, aby uzyskać łatwy dostęp do wrzeciona.

Zdjąć ewentualny osprzęt z wrzeciona. Nakręcić druczianą szczotkę tarczową na wrzeciono i dokręcić za pomocą kluczy.

UWAGA: Unikać przykładania zbyt dużego docisku, który powoduje nadmierne wyginanie drutów podczas używania druczianej szczotki tarczowej. Może to doprowadzić do przedwczesnego zużycia szczotki.

KONSERWACJA

⚠ PRZESTROGA: Przed przystąpieniem do przeglądu narzędzia lub jego konserwacji upewnić się, że jest ono wyłączone i odłączone od zasilania.

UWAGA: Nie stosować benzyny, rozpuszczalników, alkoholu itp. środków. Mogą one powodować odbarwienia, odkształcenia lub pęknięcia.

Czyszczenie otworów wentylacyjnych

Narzędzie i jego otwory wentylacyjne muszą być utrzymywane w czystości. Otwory wentylacyjne należy czyścić w regularnych odstępach czasu i za każdym razem, gdy zostaną zatkane.

- **Rys.19:** 1. Wylot powietrza 2. Wlot powietrza

W celu zachowania odpowiedniego poziomu BEZPIECZEŃSTWA i NIEZAWODNOŚCI produktu wszelkie naprawy i różnego rodzaju prace konserwacyjne lub regulacje powinny być przeprowadzane przez autoryzowany lub fabryczny punkt serwisowy narzędzi Makita, zawsze z użyciem oryginalnych części zamiennych Makita.

AKCESORIA OPCJONALNE

⚠ PRZESTROGA: Zaleca się stosowanie wymienionych akcesoriów i przystawek razem z narzędziem Makita opisanym w niniejszej instrukcji. Stosowanie innych akcesoriów lub przystawek może być przyczyną obrażeń ciała. Akcesoria lub przystawki należy wykorzystywać tylko zgodnie z ich przeznaczeniem.

W razie potrzeby wszelkiej pomocy i szczegółowych informacji na temat niniejszych akcesoriów udzieli Państwu lokalne punkty serwisowe Makita.

► Rys.20

-	Model 100 mm (4")	Model 115 mm (4 - 1/2")	Model 125 mm (5")
1	Uchwyt 36		
2	Osłona ściernicy (do ściernicy szlifierskiej)		
3	Kołnierz wewnętrzny	Kołnierz wewnętrzny / super podkładka	
4	Ściernica z obniżonym środkiem / ściernica lamelkowa		
5	Nakrętka zabezpieczająca		
6	Tarcza oporowa		
7	Ściernica elastyczna		
8	Gumowy talerz szlifierski 76	Gumowy talerz szlifierski 100	Gumowy talerz szlifierski 115
9	Krażek ścierny		
10	Nakrętka zabezpieczająca krażek ścierny		
11	Druciana szczotka tarczowa		
12	Druciana szczotka garnkowa		
13	Osłona ściernicy (do ściernicy tnącej) *1		
14	Ściernica tnąca / tarcza diamentowa		
-	Klucz do nakrętki zabezpieczającej		

WSKAZÓWKA: *1 W niektórych krajach europejskich podczas używania tarczy diamentowej można stosować zwykłą osłonę zamiast osłony specjalnej zakrywającej obie strony ściernicy. Należy przestrzegać przepisów obowiązujących w danym kraju.

WSKAZÓWKA: Niektóre pozycje znajdujące się na liście mogą być dołączone do pakietu narzędziowego jako akcesoria standardowe. Mogą to być różne pozycje, w zależności od kraju.

RÉSZLETES LEÍRÁS

Tipus:	GA4030R	GA4530R	GA5030R
Tárcsa átmérője	100mm (4")	115mm (4-1/2")	125mm (5")
Max. tárcsavastagság	6,4mm	7,2mm	
Orsómenet	M10	M14 vagy 5/8" (ország-specifikus)	
Névleges fordulatszám (n)	11 000min ⁻¹		
Teljes hossz	266mm		
Nettó tömeg	1,7kg	1,8kg	
Biztonsági osztály	□/II		

- Folyamatos kutató- és fejlesztőprogramunk eredményeként az itt felsorolt tulajdonságok figyelmeztetés nélkül megváltozhatnak.
- A tulajdonságok országról országra különbözhetnek.
- Súly, az EPTA 01/2003 eljárás szerint

Rendeltetés

A szerszám fém és kő csiszolására és vágására szolgál, víz használata nélkül.

Tápfeszültség

A szerszámot kizárólag olyan egyfázisú, váltóáramú hálózatra szabad kötni, amelynek feszültsége meg egyezik az adattábláján szereplő feszültséggel. A szerszám kettős szigetelésű, ezért földelővezeték nélküli aljzatról is működtethető.

Zaj

A tipikus A-súlyozású zajszint, az EN60745 szerint meghatározva:

Hangnyomásszint (L_{pA}): 85 dB(A)
 Hangteljesítményszint (L_{WA}): 96 dB (A)
 Bizonytalanság (K): 3 dB(A)

▲ FIGYELMEZTETÉS: Viseljen fülvédőt!

Vibráció

A vibráció teljes értéke (háromtengelyű vektorösszeg) az EN60745 szerint meghatározva:

GA4030R típus

Üzem mód: felület csiszolás
 Rezgés kibocsátás ($a_{h,AG}$): 7,0 m/s²
 Bizonytalanság (K): 1,5 m/s²
 Üzem mód: korongcsiszolás
 Rezgés kibocsátás ($a_{h,DS}$): 2,5 m/s² vagy kisebb
 Bizonytalanság (K): 1,5 m/s²

GA4530R típus

Üzem mód: felület csiszolás
 Rezgés kibocsátás ($a_{h,AG}$): 7,5 m/s²
 Bizonytalanság (K): 1,5 m/s²
 Üzem mód: korongcsiszolás
 Rezgés kibocsátás ($a_{h,DS}$): 2,5 m/s² vagy kisebb
 Bizonytalanság (K): 1,5 m/s²

GA5030R típus

Üzem mód: felület csiszolás
 Rezgés kibocsátás ($a_{h,AG}$): 8,5 m/s²
 Bizonytalanság (K): 1,5 m/s²
 Üzem mód: korongcsiszolás
 Rezgés kibocsátás ($a_{h,DS}$): 2,5 m/s² vagy kisebb
 Bizonytalanság (K): 1,5 m/s²

MEGJEGYZÉS: A rezgés kibocsátás értéke a szabványos vizsgálati eljárásnak megfelelően lett mérve, és segítségével az elektromos kéziszerszámok összehasonlíthatók egymással.

MEGJEGYZÉS: A rezgés kibocsátás értékének segítségével előzetesen megbecsülhető a rezgésnek való kitettség mértéke.

▲ FIGYELMEZTETÉS: A szerszám rezgés kibocsátása egy adott alkalmazásnál eltérhet a megadott értéktől a használat módjától függően.

▲ FIGYELMEZTETÉS: Határozza meg a kezelő védelmét szolgáló munkavédelmi lépéseket, melyek az adott munkafeltételek mellett vibrációs hatás becslést mértékén alapulnak (figyelembe véve a munkaciklus elemeit, mint például a gép leállításának és üresjáratának mennyiségét az elindítások száma mellett).

▲ FIGYELMEZTETÉS: A rezgés kibocsátás megadott értéke a szerszám használatának alapvető módjára vonatkozik. Ha a szerszámot más célra használja, a vibráció értéke eltérő lehet.

EK Megfelelőségi nyilatkozat

Csak európai országokra vonatkozóan

A Makita kijelenti, hogy az alábbi gép(ek):
 Gép megnevezése: Sarokcsiszoló
 Típus sz./Típus: GA4030R, GA4530R, GA5030R
 Megfelel a következő Európai irányelveknek:
 2006/42/EC

Gyártása a következő szabványoknak, valamint szabványosított dokumentumoknak megfelelően történik:
 EN60745

A műszaki leírás a 2006/42/EC előírásainak megfelelően elérhető innen:

Makita, Jan-Baptist Vinkstraat 2, 3070, Belgium



Yasushi Fukaya
Igazgató
Makita, Jan-Baptist Vinkstraat 2, 3070, Belgium

A szerszámgépekre vonatkozó általános biztonsági figyelmeztetések

▲ FIGYELMEZTETÉS: Olvassa el az összes biztonsági figyelmeztetést és utasítást. Ha nem tartja be a figyelmeztetéseket és utasításokat, akkor áramütés, tűz és/vagy súlyos sérülés következhet be.

Őrizzen meg minden figyelmeztetést és utasítást a későbbi tájékozódás érdekében.

A figyelmeztetéseken szereplő "szerszámgép" kifejezés az Ön hálózatról (vezetékes) vagy akkumulátorról (vezeték nélküli) működtetett szerszámgépre vonatkozik.

A csiszolóra vonatkozó biztonsági figyelmeztetések

A biztonsági figyelmeztetések megegyeznek a közzétett, csiszolási, drótkéfélesi vagy szemcsés tárcsával végzett daraboló műveletek esetében:

- 1. Ez az elektromos szerszám működhet köszörű, csiszoló, drótkéfe vagy daraboló szerszámként. Olvassa el az elektromos szerszámgéphez mellékelt összes biztonsági figyelmeztetést, utasítást, illusztrációt és a műszaki adatokat. A következőkben leírt utasítások figyelmen kívül hagyása elektromos áramütést, tüzet és/vagy komoly sérülést eredményezhet.**
- 2. Polírozási műveletek végzése nem javasolt ezzel az elektromos szerszámmal.** Az olyan műveletek végzése, amelyek az elektromos szerszámgép nem lett tervezve, veszélyhelyzeteket és személyi sérüléseket eredményezhet.
- 3. Ne használjon olyan kiegészítőket, amelyeket nem speciálisan erre a célra lettek tervezve és a szerszám gyártója nem javasolta azok használatát.** Az, hogy a kiegészítő hozzákapcsolható a szerszámmhoz, még nem biztosítja a biztonságos működést.
- 4. A kiegészítő névleges fordulatszáma legalább akkora kell legyen, mint a szerszám megadott legmagasabb fordulatszámérték.** A névleges fordulatszámunknál magasabb fordulatszámon működő kiegészítők eltörhetnek és szétrepülhetnek.
- 5. A tartozék külső átmérőjének és vastagságának az elektromos szerszám kapacitásának határain belül kell lennie.** A helytelen méretű tárcsát nem lehet megfelelő védelemmel ellátni és irányítani.

- 6. A tartozékok menetes csatlakozójának meg kell felelnie a csiszoló tengely menetének. Az illesztőperemes csatlakozású tartozékok felfogólyukának illeszkednie kell az illesztőperem illesztési átmérőjéhez.** Azok a tartozékok, amelyek nem illeszkednek az elektromos szerszámmal, az elektromos szerszám egyensúlyvesztését, túlságos rezgését és az uralom elvesztését okozhatják.
- 7. Ne használjon sérült kiegészítőket.** Minden használat előtt ellenőrizze a kiegészítőket, például a csiszolókorongokat, hogy nem csorbultak vagy repedtek-e, az alátélapokat, hogy nem repedtek, szakadtak vagy kopottak-e, a drótkéféket, hogy a drótok nem feslettek vagy törtek-e el. Ha az elektromos szerszám vagy a kiegészítő leesik, ellenőrizze, hogy nem károsodott-e, vagy szereljen fel egy sérülésmentes kiegészítőt. A kiegészítő ellenőrzése és felszerelése után Ön és a közelben állók lépjenek el a forgó kiegészítő síkjától, majd egy percen át működtesse az elektromos szerszámot a maximális terhelés nélküli fordulatszámon. A sérült kiegészítők általában széttörnek ezen tesztidőtartam alatt.
- 8. Viseljen személyi védőeszközöket.** A munka jellegétől függően használjon arcvédőt, szemvédőt vagy védőszemüveget. Ha szükséges, vegyen fel pormaszkot, fülvédőt, kesztyűt és olyan kötenyt, amely képes felfogni a csiszolóanyagból vagy a munkadarabból származó kisméretű darabokat. A szemvédőnek képesnek kell lennie megállítani a különböző műveletek során keletkező repülő törmelékdarabokat. A pormaszknak vagy a légzőkészüléknek képesnek kell lennie a művelet során keletkező részecskék kiszűrésére. A hosszabb ideig tartó nagy intenzitású zaj halláskárosodást okozhat.
- 9. A környezetben tartózkodók álljanak biztonságos távolságra a munkaterülettől.** Bárkinek, aki a munkaterületre lép, személyi védőeszközt kell felvennie. A munkadarabból vagy széttrött kiegészítőből származó darabok szétrepülhetnek és sérüléseket okozhatnak a szerszám használati helye mögötti területen.
- 10. Az elektromos szerszámot kizárólag a szigetelt markolási felületeinél fogja meg, amikor olyan műveletet végez, amelyben fennáll a veszélye, hogy a vágóél rejtett vezetékbe vagy saját hálózati vezetékbe ütközhet.** Áram alatt lévő vezetékekkel való érintkezéskor a szerszám fém alkatrészei is áram alá kerülhetnek, és megrázhathatják a kezelőt.
- 11. A tápvezetékét úgy vezesse el, hogy ne legyen a forgó tárcsa közelében.** Ha elveszíti az irányítást a szerszám felett, a tápkábel behúzhatja a kezét vagy a karját a forgó szerszámba.
- 12. Soha ne fektesse le az elektromos gépet addig, amíg az teljesen le nem állt.** A forgó szerszám beakadhat a felületbe, és irányíthatatlanná válhat.
- 13. Ne működtesse a szerszámot, amikor az oldalán viszi.** Ha a szerszám véletlenül Önhöz ér, elkaphatja a ruháját, és a szerszám a testébe hatolhat.
- 14. Rendszeresen tisztítsa meg az elektromos szerszám szellőzőnyílásait.** A motor ventilátora beszívja a port a készülék belsejébe, és a fémpor túlzott felhalmozódása veszélyes elektromos körülményeket teremthet.
- 15. Ne működtesse az elektromos szerszámot gyúlékony anyagok közelében.** A szikrák felgyújthatják ezeket az anyagokat.
- 16. Ne használjon olyan kiegészítőket, amelyekhez folyékony hűtőközeg szükséges.** Víz vagy más folyadék használata rövidzárlatot vagy áramütést okozhat.

Visszarúgás és az ezzel kapcsolatos figyelmeztetések

A visszarúgás a szerszám hirtelen reakciója a forgótárcsa, alátéttalp, kefe vagy más tartozék beszorulásakor vagy beakadásakor. A becsípődés vagy beakadás a forgó alkatrész hirtelen megállását okozza, melynek következtében az irányíthatatlan szerszám gép az eddigi forgásiiránnyal ellentétesen kezd el forogni a beszorulási pont körül. Például, ha egy csiszolókorong beszorul vagy beakad a munkadarabba, a becsípődési pontban megakadt tárcsa kiugorhat vagy kivethető a munkadarabból. A tárcsa a kezelő felé vagy az ellentétes irányba is ugorhat, attól függően, hogy mi a tárcsa mozgási iránya a becsípődési pontban. A csiszolókorongok ilyen körülmények között akár el is törhetnek.

A visszarúgás az elektromos szerszám gép helytelen használatának és/vagy a nem megfelelő működési eljárásoknak és körülményeknek következménye, és az alábbi óvintézkedések betartásával megelőzhető.

1. **Fogja stabilan az elektromos szerszámot mindkét kezével, és helyezze el úgy a karjait, hogy ellen tudjon állni a visszarúgáskor fellépő erőnek. Mindig használja a kiegészítő fogantyút, ha van, hogy maximálisan ura legyen a gépnek visszarúgáskor, vagy a bekapcsoláskor fellépő nyomatkreatciók.** A kezelő uralhatja a nyomatkreatciókat és visszarúgáskor fellépő erőket, ha megteszi a megfelelő óvintézkedéseket.
2. **Soha ne tegye a kezét a forgó tárcsa közelébe.** A tárcsa visszarúghat a kezein keresztül.
3. **Ne helyezze a testét arra a területre, amerre az elektromos szerszám visszarúgáskor mozoghat.** A visszarúgás következtében az elektromos szerszám a tárcsa forgási irányával ellentétesen mozdul el a megszorulási pontból kiindulva.
4. **Legyen különösen óvatos sarkok, éles szélek stb. megmunkálásakor. Kerülje el a tárcsa pattogását vagy megugrását.** A sarkok, éles szélek vagy a pattogás hatására a forgó tartozék kiugorhat, az uralom elvesztését vagy visszarúgást okozva.
5. **Ne szereljen fel fafaragó fűrész tárcsát vagy fogazott fűrész tárcsát.** Ezek a tárcsák gyakran visszarúgást és az uralom elvesztését okozzák.

Speciális biztonsági figyelmeztetések a körszűrési és a daraboló műveletekhez:

1. **Csak az elektromos szerszámához javasolt csiszolótárcsát és a kiválasztott tárcsához való tárcsavédőt használja.** Azok a tárcsák, amelyeket nem ehhez az elektromos szerszámhoz terveztek, nem védhetők megfelelően, és nem biztonságosak.
2. **A sülyesztett középfuratú tárcsa csiszolófelületét a védőperem síkja alá kell felszerelni.** A helytelenül felszerelt, a védőperem síkján túlnyúló tárcsának nem lehet megfelelő védelmet biztosítani.
3. **A tárcsavédőt biztonságosan kell felszerelni az elektromos szerszámmra, és úgy kell elhelyezni, hogy a lehető legjobban eltakarja a tárcsát a kezelő irányában.** A tárcsavédő megvédi a kezelőt a letördelt tárcsadaraboktól, a tárcsával való esetleges érintkezéstől, és a szikráktól, amelyek lángra lobbanthatják a ruházatát.
4. **A tárcsákat csak a javasolt alkalmazásokra lehet használni.** Például ne csiszoljon a darabolótárcsa oldalával. A daraboló körszűrőtárcsának csak az élével lehet csiszolni, mert az oldalirányú erők hatására ezek a tárcsák összetörhetnek.

5. **Mindig csak sérülésmentes illesztőperemet használjon a tárcsához, melynek mérete és alakja a kiválasztott tárcsának megfelelő.** A megfelelő illesztőperemek megtámasztják a korongot, ezzel csökkentve a törés valószínűségét. A darabolótárcsák illesztőperemei különbözőhetnek a csiszolótárcsa illesztőperemeitől.
6. **Ne használjon nagyobb méretű szerszámokról leszerelt, kopott tárcsákat.** A nagyobb elektromos szerszámokhoz tervezett tárcsa nem használható a kisebb szerszám nagyobb fordulatszámja miatt, és szétrobbanhat.

További speciális biztonsági figyelmeztetések a daraboló műveletekhez:

1. **Ne „akassza be” a darabolótárcsát, és ne nyomja meg túlságosan. Ne próbáljon túl mély vágást végezni.** A tárcsa túlságos igénybevétele növeli a terhelést, és a tárcsa kifordulhat, vagy szorulhat a vágásban, és nő a visszarúgás vagy tárcsa eltörésének lehetősége.
2. **Testével ne helyezkedjen a forgó tárcsa vonalába, vagy a tárcsa mögé.** Ha a tárcsa a művelet egyik pontjában a teste irányából elmozdul, a lehetséges visszarúgás közvetlenül Ön felé hajthatja az orsó tárcsát és az elektromos szerszámot.
3. **Ha a tárcsa szorul, vagy ha bármilyen okból abbahagyja a vágást, kapcsolja ki az elektromos szerszámot, és tartsa meg mozdulatlanul a szerszámot mindaddig, amíg a tárcsa teljesen leáll. Soha ne próbálja kivenni a vágásból a darabolótárcsát, miközben az mozgásban van, mivel visszarúgást okozhat.** Derítse fel, és küszöbölje ki a tárcsa szorulásának okát.
4. **Amikor újakezdi a vágást a munkadarabon, a tárcsát ne a munkadarabba helyezve indítsa el. Hagyja, hogy a tárcsa elérje a teljes fordulatszámát, majd óvatosan vigye a vágatba.** Ha az elektromos szerszámot a munkadarabon indítja újra, a tárcsa szorulhat, kiléphet vagy visszarúghat.
5. **A nagyméretű falapokat vagy a nagy munkadarabokat támassza alá, hogy elkerülje a tárcsa beszorulását és a visszarúgást.** A nagyméretű munkadarabok meghajolhatnak saját súlyuk alatt. Támasztékot a munkadarab alá kell tenni, a vágóvonal közelében és a munkadarab szélétől nem messze, a tárcsa mindkét oldalára.
6. **Különös körültekintéssel járjon el, ha falon vagy más, nem belátható munkaterületen végez bemszűrő vágást.** A túlnyúló tárcsa elvághat gáz vagy vízvezetékeket, elektromos vezetékeket vagy tárgyakat, ami visszarúgást okozhat.

Speciális biztonsági figyelmeztetések a körszűrési műveletre vonatkozóan:

1. **Ne alkalmazzon különösen túlméretezett csiszolópapír korongot.** Kövesse a gyártó javaslatait a csiszolópapír kiválasztásakor. A csiszolópadról lefogó csiszolópapír szakítási veszélyt jelent, és a tárcsa kiugrását, repedését vagy visszarúgását okozhatja.

Speciális biztonsági figyelmeztetések a drótkéféli műveletre vonatkozóan:

1. **Vigyázzon a drótsörték ledobására akár a megszokott művelet közben is. Ne vegye túlságosan igénybe a drótokat a kefe túlterhelésével.** A drótsörték könnyen átmehetnek a könnyű ruházaton és / vagy a bőrön.

2. Ha a drótkéféleshez javasolt a védő használat, ne engedje érintkezni a dróttárcsát vagy kefé a védőtárcsával. A terhelés és a centrifugális erő következtében a dróttárcsa vagy kefé átmérője növekedhet.

Kiegészítő biztonsági figyelmeztetések:

1. Süllyesztett középfuratú csiszolótárcsák használatakor ügyeljen rá, hogy csak üvegszál erősítésű tárcsákat használjon.
2. **SOHA NE HASZNÁLJON** köcsiszoló típusú tárcsákat ezzel a csiszolóval. Ezt a csiszolót nem ilyen típusú tárcsák használatára tervezték, a köcsiszoló tárcsák használata súlyos személyi sérüléseket okozhat.
3. Legyen óvatos, ne rongálja meg az orsót, az illesztőperemet (különösen annak szerelési felületét) vagy a rögzítőanyát. Ezen alkatrészek károsodása a tárcsa törését okozhatja.
4. Ellenőrizze, hogy a tárcsa nem ér a munkadarabhoz, mielőtt bekapcsolja a szerszámot.
5. Mielőtt használja a szerszámot a tényleges munkadarabon, hagyja járni egy kicsit. Figyelje a rezgéseket vagy imbolygást, amelyek rosszul felszerelt vagy rosszul kiegyensúlyozott tárcsára utalhatnak.
6. Csiszoláshoz használja a tárcsa erre kijelölt felületét.
7. Ne hagyja a működő szerszámot felügyelet nélkül. Csak kézben tartva használja a szerszámot.
8. Ne érjen a munkadarabhoz közvetlenül a munkavégzést követően; az rendkívül forró lehet és megégetheti a bőrét.
9. Kövesse a gyártó útmutatásait a tárcsák helyes felszerelését és használatát illetően. Körültekintően kezelje és tárolja a tárcsákat.
10. Ne használjon külön szükítőhüvelyeket vagy adaptereket a nagy furattal rendelkező csiszolókorongok illesztéséhez.
11. Csak a szerszámhoz előírt illesztőperemeket használja.
12. A menetes furatú tárcsákkal felszerelhető szerszámok esetében ellenőrizze, hogy a tárcsa menete elég hosszú, hogy befogadja az orsó menetét.
13. Ellenőrizze, hogy a munkadarab megfelelően alá van támasztva.
14. Figyeljen oda arra, hogy a tárcsa tovább forog a szerszám kikapcsolása után.
15. Ha a munkahely különösen meleg és párás, vagy elektromosan vezetőképessé szennyezett, használjon rövidzárlati megszakítót (30 mA) a biztonságos működés érdekében.
16. Ne használja a szerszámot azbeszttel tartalmazó anyagokon.
17. Darabolótárcsa használatakor mindig a helyi szabályozás által előírt porgyűjtő tárcsavédő felszerelésével dolgozzon.
18. A vágókorongokat nem szabad laterális irányú nyomásnak kitenni.
19. Ne használjon ruhakesztyűt a művelet elvégzése közben. A ruhakesztyű rostjai bejuthatnak a gépbe, és tönkretelhetik a szerszámot.

ŐRIZZE MEG EZEKET AZ UTASÍTÁSOKAT.

▲ FIGYELMEZTETÉS: NE HAGYJA, hogy (a termék többszöri használatából eredő) kényelem és megszokás váltsa fel a termék biztonsági előírásainak szigorú betartását. A **HELYTELEN HASZNÁLAT** és a használati útmutatóban szereplő biztonsági előírások megszegése súlyos személyi sérülésekhez vezethet.

A MŰKÖDÉS LEÍRÁSA

▲ VIGYÁZAT: Mielőtt ellenőrzi vagy beállítja, mindig bizonyosodjon meg róla, hogy a szerszámot kikapcsolta és a hálózatról lecsatlakoztatta.

Tengelyretesz

Nyomja le a tengelyreteszt az orsó forgásának megakadályozásához amikor a tartozékokat felszereli vagy leszereli.

► **Ábra1:** 1. Tengelyretesz

MEGJEGYZÉS: Soha ne hozza működésbe a tengelyreteszt, ha az orsó még forog. A szerszám károsodhat.

A kapcsoló használata

▲ VIGYÁZAT: A szerszám tápellátáshoz való csatlakoztatása előtt mindig ellenőrizze, hogy a csúszókapcsoló megfelelően működik, és visszateret az „OFF” állásba amikor a csúszókapcsoló hátulsó részét lenyomja.

▲ VIGYÁZAT: Huzamosabb használatkor a kapcsoló a kezelő munkájának megkönnyítése érdekében a bekapcsolt (ON) pozícióban rögzíthető. Legyen elővigyázatos a szerszám bekapcsolt (ON) pozícióba rögzítésekor, és szilárdan fogja meg a szerszámot.

A szerszám bekapcsolásához nyomja le a kapcsoló hátsó részét, majd csúsztassa az „I (ON)” pozíció irányába. A folyamatos működéshez reteszelve a csúszókapcsolót úgy, hogy lenyomja az előlő részét.

A szerszám kikapcsolásához nyomja le a kapcsoló hátsó részét, majd csúsztassa a „O (OFF)” pozíció irányába.

► **Ábra2:** 1. Csúszókapcsoló

Nem szándékos újraindítást megelőző rendszer

A szerszám a kapcsoló bekapcsolva reteszelt helyzetben nem indul el akkor sem, ha a be van dugva a fali aljzatba.

A véletlen újraindítást megelőző rendszer kikapcsolásához állítsa vissza a kapcsolót „OFF” (KI) helyzetbe.

MEGJEGYZÉS: A nem szándékos újraindítást megelőző rendszer működését követően várjon legalább egy másodpercet a szerszám következő újraindításáig.

MEGJEGYZÉS: Ha a gép túlterhelődik, és hőmérséklete eléri egy bizonyos szintet, a gép automatikusan leállhat. Ilyen esetben az ismételt bekapcsolás előtt várja meg, amíg a gép lehűl.

Lágyindítás

A lágyindítási funkció csökkenti az indításkor előforduló rántást.

ÖSSZESZERELÉS

⚠ VIGYÁZAT: Mielőtt bármilyen munkát végezne rajta, mindig bizonyosodjon meg arról, hogy a szerszámot kikapcsolta és a hálózatról lecsatlakoztatta.

Az oldalmarkolat (fogantyú) felszerelése

⚠ VIGYÁZAT: Használat előtt mindig bizonyosodjon meg arról, hogy az oldalmarkolat szilárdan van rögzítve.

Rögzítse az oldalmarkolatot a helyére a szerszámon az ábrának megfelelően.

► **Ábra3**

A tárcsavédő fel- és leszerelése (süllyesztett középfuratú tárcsa, lapos tárcsa, flexkorong, drótkorong/daraboló köszőrűtárcsa, gyémánttárcsa esetén)

⚠ FIGYELMEZTETÉS: Süllyesztett középfuratú tárcsa, lapos tárcsa, flexkorong vagy drótkorong használatakor a tárcsavédőt úgy kell felszerelni a szerszáma, hogy zárt oldalával mindig a kezelő felé nézzen.

⚠ FIGYELMEZTETÉS: Daraboló köszőrűtárcsa/gyémánttárcsa használatakor ügyeljen arra, hogy csak daraboló köszőrűtárcsákhoz készített tárcsavédőt alkalmazzon.

(Egyes európai országokban a gyémánttárcsa használatakor az általános tárcsavédő használható. Kövesse a hazájában érvényes előírásokat.)

Csavarreteszés tárcsavédő esetén

Úgy szerelje fel a tárcsavédőt, hogy a szorítóbilincsen található kiemelkedések illeszkedjenek a csapágházon levő bevágásokhoz. Ezután fordítsa a tárcsavédőt olyan szögbe, hogy a megmunkálásnak megfelelően védeni tudja a kezelőt. Ügyeljen rá, hogy a csavart biztonságosan meghúzza.

A tárcsavédő eltávolításához kövesse a felszerelési eljárást fordított sorrendben.

► **Ábra4:** 1. Tárcsavédő 2. Csapágház 3. Csavar

A rögzítőkaros tárcsavédő esetén

Lazítsa meg a csavart, és húzza a kart a nyíl irányába. Úgy szerelje fel a tárcsavédőt, hogy a szorítóbilincsen található kiemelkedések illeszkedjenek a csapágházon levő bevágásokhoz. Ezután fordítsa a tárcsavédőt olyan szögbe, hogy a megmunkálásnak megfelelően védeni tudja a kezelőt.

► **Ábra5:** 1. Tárcsavédő 2. Csapágház 3. Csavar 4. Kar

Húzza a kart a nyíl irányába. Ezután a csavar meghúzásával rögzítse a tárcsavédőt. Ügyeljen rá, hogy a csavart biztonságosan meghúzza. A tárcsavédő szögét a kar segítségével lehet módosítani.

► **Ábra6:** 1. Csavar 2. Kar

A tárcsavédő eltávolításához kövesse a felszerelési eljárást fordított sorrendben.

Süllyesztett középfuratú tárcsa vagy lapos tárcsa felszerelése

Opcionális kiegészítők

⚠ FIGYELMEZTETÉS: Süllyesztett középfuratú tárcsa vagy lapos tárcsa használatakor a tárcsavédőt úgy kell felszerelni a szerszáma, hogy zárt oldalával mindig a kezelő felé nézzen.

⚠ VIGYÁZAT: Ügyeljen arra, hogy a belső illesztőperem foglalatja tökéletesen illeszkedjen a süllyesztett középfuratú tárcsa vagy lapos tárcsa belső átmérőjébe. Amennyiben a belső illesztőperemet a rossz oldalra szereli fel, veszélyes rezgés jöhet létre.

Helyezze a belső illesztőperemet az orsóra. Ügyeljen arra, hogy a belső illesztőperem fogazott részét az egyenes részre tegye az orsó aljánál. Illessze a süllyesztett középfuratú tárcsát vagy lapos tárcsát a belső illesztőperemre, és csavarja fel a rögzítőanyát az orsóra.

► **Ábra7:** 1. Rögzítőanya 2. Süllyesztett középfuratú tárcsa 3. Belső illesztőperem 4. Foglalat

A rögzítőanya meghúzásához határozottan nyomja le a tengelyreteszt, hogy a tengely ne tudjon forogni, majd a rögzítőanya kulcsával szorosan húzza meg az anyát az óramutató járásával megegyező irányba.

► **Ábra8:** 1. Rögzítőanya kulcsa 2. Tengelyretesz

A tárcsa eltávolításához kövesse a felszerelési eljárást fordított sorrendben.

Extra illesztőperem

Opcionális kiegészítők

Kizárólag M14 orsómenetes szerszámokhoz.

Az F jelű típusok standard felszereltsége az extra illesztőperem. A hagyományos típusokhoz képest csak 1/3-nyi erőfeszítésre van szükség a rögzítőanya kilátásához.

A flexkorong felszerelése és eltávolítása

Opcionális kiegészítők

▲FIGYELMEZTETÉS: Mindig alkalmazza a mellékelt tárcsavédőt, ha flexkorong van a gépre szerelve. A korong szétterhet a használat során, és a tárcsavédő csökkenti a személyi sérülések kockázatát.

- **Ábra9:** 1. Rögzítőanya 2. Flexkorong 3. Alátéttalp 4. Belső illesztőperem

Kövesse a súllyesztett középfuratú tárcsa használatára vonatkozó utasításokat, de a tárcsára tegye fel az alátéttalpat is. Az összeállítási sorrendet megtalálja a kézikönyv tartozékokat tartalmazó oldalán.

A csiszolótárcsa felhelyezése és eltávolítása

Opcionális kiegészítők

- **Ábra10:** 1. Csiszoló rögzítőanya 2. Csiszolótárcsa 3. Gumitalp

1. Szerelje a gumitalpat az orsóra.
2. Illessze a korongot a gumitalpra, és csavarja a csiszoló rögzítőanyát az orsóra.
3. Tartsa meg az orsót a tengelyretesszel, és húzza meg a csiszoló rögzítőanyát az óramutató járásával megegyező irányban a rögzítőanya kulcsával.

A korong eltávolításához kövesse a felhelyezési eljárást fordított sorrendben.

MEGJEGYZÉS: Csak az ebben a kézikönyvben leírt kiegészítőket használja a csiszolóhoz. Ezeket külön meg kell vásárolni.

MŰKÖDTETÉS

▲FIGYELMEZTETÉS: Soha nem szabad erőltetni a szerszámot. A szerszám súlya elegendő nyomóerőt biztosít. Az erőltetés és a túlzott nyomáskifejtés a tárcsa töréséhez vezethet, ami veszélyes.

▲FIGYELMEZTETÉS: MINDIG cserélje ki a tárcsát, ha a szerszám leesett csiszolás közben.

▲FIGYELMEZTETÉS: SOHA ne csapja vagy üsse oda a csiszolókorongot vagy a tárcsát a munkadarabhoz.

▲FIGYELMEZTETÉS: Kerülje el a tárcsa viszszaugrását és kiugrását, különösen sarkok, éles szélek stb. megmunkálásakor. Ekkor a szerszám irányíthatatlanná válik és visszarughat.

▲FIGYELMEZTETÉS: SOHA ne használja a szerszámot fávágó tárcsákkal és más fűrésztárcsákkal. Az ilyen fűrésztárcsák a csiszolón gyakran megugranak és a szerszám irányíthatatlanná válik, ami személyi sérülésekhez vezethet.

▲VIGYÁZAT: Soha ne kapcsolja be a szerszámot, ha az érintkezik a munkadarabbal, mert ez a kez-elő sérülését okozhatja.

▲VIGYÁZAT: A használat alatt mindig viseljen védőszemüveget vagy arcvédőt.

▲VIGYÁZAT: A használat végén mindig kapcsolja ki a szerszámot, és várja meg, amíg a tárcsa teljesen megáll, ezután tegye le a szerszámot.

▲VIGYÁZAT: MINDIG szilárdan fogja a szerszámot egyik kezét a burkolaton, a másikat pedig az oldalmarkolaton (fogantyún) tartva.

Köszörülés és csiszolás

► Ábra11

Kapcsolja be a szerszámot, majd vigye a tárcsát vagy a korongot a munkadarabhoz.

Általában a korong vagy a tárcsa szélét a 15 fokos szögben kell a munkadarab felületéhez tartani.

Új tárcsa bejárásakor ne használja a csiszolót előrefelé, mert akkor belevág a munkadarabba. Miután a tárcsa széle lekerekedett a használat során, a tárcsával előre- és hátrafelé is végezhető megmunkálás.

Műveletek daraboló köszörűtárcsával/gyémánttárcsával

Opcionális kiegészítők

▲FIGYELMEZTETÉS: Daraboló köszörűtárcsa/gyémánttárcsa használatakor ügyeljen arra, hogy csak daraboló köszörűtárcsákhoz készített tárcsavédőt alkalmazzon.

(Egyes európai országokban a gyémánttárcsa használatakor az általános tárcsavédő használható. Kövesse a hazájában érvényes előírásokat.)

▲FIGYELMEZTETÉS: SOHA ne használjon darabolótárcsát oldalköszörüléshez.

▲FIGYELMEZTETÉS: Ne „akassza meg”, és ne nyomja túlzott erővel a tárcsát. Ne próbáljon túl mély vágást végezni. A tárcsa túl nagy igénybevétele növeli a terhelést, és a tárcsa kifordulhat vagy megszorulhat a vágásban, és nő a visszaruágásnak, a tárcsa eltörésének és a motor túlhevülésének veszélye.

▲FIGYELMEZTETÉS: A vágást ne kezdje a munkadarabban. Hagyja, hogy a tárcsa elérje a teljes fordulatszámot, majd óvatosan vigye a vágásba, és mozgassa előre a szerszámot a munkafelületen. Ha az elektromos szerszámot a munkadarabban indítja újra, a tárcsa szorulhat, kiléphet vagy visszarughat.

▲FIGYELMEZTETÉS: Vágási műveletek alatt soha ne változtasson a tárcsa szögén. A darabolótárcsa oldalnyomása (köszörülésnél is) a tárcsa repedését és törését okozza, ami veszélyes sérüléshez vezet.

▲FIGYELMEZTETÉS: A gyémánttárcsát tartsa a darabolandó anyagra merőlegesen.

- **Ábra12:** 1. Rögzítőanya 2. Daraboló köszörűtárcsa / gyémánttárcsa 3. Belső illesztőperem 4. Tárcsavédő daraboló köszörűtárcsához / gyémánttárcsához

Felszereléskor kövesse a sülyesztett középfuratú tárcsa felszerelési utasításait.

A rögzítőanya és a belső illesztőperem rögzítési iránya a tárcsa típusának és átmérőjének függvényében változik.

Lásd a következő számadatokat.

100 mm-es (4") típus esetén

Daraboló köszörútárcsa felszerelések:

- **Ábra13:** 1. Rögzítőanya 2. Daraboló köszörútárcsa (4 mm-nél (5/32") vékonyabb) 3. Daraboló köszörútárcsa (4 mm-es (5/32") vagy vastagabb) 4. Belső illesztőperem

Gyémánttárcsa felszerelések:

- **Ábra14:** 1. Rögzítőanya 2. Gyémánttárcsa (4 mm-nél (5/32") vékonyabb) 3. Gyémánttárcsa (4 mm-es (5/32") vagy vastagabb) 4. Belső illesztőperem

115 mm-es (4-1/2") / 125 mm-es (5") típus

Daraboló köszörútárcsa felszerelések:

- **Ábra15:** 1. Rögzítőanya 2. Daraboló köszörútárcsa (4 mm-nél (5/32") vékonyabb) 3. Daraboló köszörútárcsa (4 mm-es (5/32") vagy vastagabb) 4. Belső illesztőperem

Gyémánttárcsa felszerelések:

- **Ábra16:** 1. Rögzítőanya 2. Gyémánttárcsa (4 mm-nél (5/32") vékonyabb) 3. Gyémánttárcsa (4 mm-es (5/32") vagy vastagabb) 4. Belső illesztőperem

Drótkéfcészéssel végzett műveletek

Opcionális kiegészítők

⚠VIGYÁZAT: Ellenőrizze a kefe működését a szerszám terhelés nélküli beindításával, és közben ügyeljen arra, hogy senki ne legyen a kefe előtt, vagy annak vonalában.

⚠VIGYÁZAT: Ne használjon sérült vagy kiegyensúlyozatlan kefét. A sérült kefe használata megnöveli a sérülés veszélyét, mely a törött drótszálakkal való érintkezéskor következhet be.

- **Ábra17:** 1. Drótkéfcészés

Húzza ki a gép hálózati csatlakozóját és fordítsa a hátával lefelé, hogy könnyen hozzá tudjon férni az orsóhoz. Szerelje le az orsótól a kiegészítőket. Szerelje fel a drótkéfcészést az orsóra, és húzza meg a mellékelt villáskulccsal.

MEGJEGYZÉS: A kefe használata közben ne alkalmazzon túlzott mértékű nyomást, mert ezzel a drótszálak túlzott elhajlását okozza. Ez pedig a drótszálak korai töréséhez vezethet.

Drótkoronggal végzett műveletek

Opcionális kiegészítők

⚠VIGYÁZAT: Ellenőrizze a drótkorong működését a gép terhelés nélküli beindításával, és figyeljen arra, hogy senki ne legyen a drótkorong előtt, illetve annak vonalában.

⚠VIGYÁZAT: Ne használjon sérült vagy kiegyensúlyozatlan drótkorongot. A sérült drótkorong használata megnöveli a sérülés veszélyét, mely a törött drótszálakkal való érintkezéskor következhet be.

⚠VIGYÁZAT: Drótkorong használatkor MINDIG használjon olyan átmérőjű tárcsavédőt, amelyben megfelelően elfér a drótkorong. A korong széttörhet a használat során, és a tárcsavédő csökkenti a személyi sérülések kockázatát.

- **Ábra18:** 1. Drótkorong

Húzza ki a gép hálózati csatlakozóját és fordítsa a hátával lefelé, hogy könnyen hozzá tudjon férni az orsóhoz. Szerelje le az orsótól a kiegészítőket. Csavarja fel a drótkorongot az orsóra, és húzza meg a villáskulccsal.

MEGJEGYZÉS: A drótkorong használata közben ne alkalmazzon túlzott mértékű nyomást, mert ezzel a drótszálak túlzott elhajlását okozza. Ez pedig a drótszálak korai töréséhez vezethet.

KARBANTARTÁS

⚠VIGYÁZAT: Mielőtt a vizsgálatához vagy karbantartásához kezdene, mindig bizonyosodjon meg arról hogy a szerszámot kikapcsolta és a hálózatról lecsatlakoztatta.

MEGJEGYZÉS: Soha ne használjon gázolajt, benzint, hígítót, alkoholt vagy hasonló anyagokat. Ezek elszíneződést, alakvesztést vagy repedést okozhatnak.

A szellőzőnyílások tisztítása

A szerszámot és szellőzőnyílásait tisztán kell tartani. Rendszeresen tisztítsa meg a szerszám szellőzőnyílásait, akkor is, ha kezdenek eltömődni.

- **Ábra19:** 1. Elszívónyílás 2. Beszívónyílás

A termék BIZTONSÁGÁNAK és MEGBÍZHATÓSÁGÁNAK fenntartása érdekében a javításokat és más karbantartásokat vagy beállításokat a Makita hivatalos vagy gyári szervizközpontjában kell elvégezni, mindig csak Makita cserealkatrészeket használva.

OPCIONÁLIS KIEGÉSZÍTŐK

⚠ VIGYÁZAT: Ezen kiegészítőket és tartozékokat javasoljuk a kézikönyvben ismertetett Makita szerszámmal használni. Bármilyen más kiegészítő vagy tartozék használata a személyi sérülés kockázatával jár. A kiegészítőt vagy tartozékokat csak rendeltetésszerűen használja.

Ha bármilyen segítségre vagy további információra van szüksége ezekkel a tartozékokkal kapcsolatban, keresse fel a helyi Makita Szervizközpontot.

► **Ábra20**

-	100 mm-es (4") típus	115 mm-es (4-1/2") típus	125 mm-es (5") típus
1	36-os markolat		
2	Tárcsavédő (csiszolókoronghoz)		
3	Belső illesztőperem	Belső illesztőperem / extra illesztőperem	
4	Süllyesztett középfuratú korong / lapos tárcsa		
5	Rögzítőanya		
6	Alátétlap		
7	Flexkorong		
8	Gumitalp, 76	Gumitalp, 100	Gumitalp, 115
9	Csiszolótárcsa		
10	Csiszoló rögzítőanya		
11	Drótkorong		
12	Drótkefecsésze		
13	Tárcsavédő (darabolótárcsához) *1		
14	Daraboló köszörűtárcsa / gyémánttárcsa		
-	Rögzítőanya kulcsa		

MEGJEGYZÉS: *1 Bizonyos európai országokban a gyémánttárcsa használatakor az általános tárcsavédő alkalmazható a speciális tárcsavédő helyett, mely a tárcsa mindkét oldalát lefedi. Kövesse a hazájában érvényes előírásokat.

MEGJEGYZÉS: A listán felsorolt néhány kiegészítő megtalálható az eszköz csomagolásában standard kiegészítőként. Ezek országonként eltérőek lehetnek.

TECHNICKÉ ŠPECIFIKÁCIE

Model:	GA4030R	GA4530R	GA5030R
Priemer kotúča	100 mm (4")	115 mm (4-1/2")	125 mm (5")
Max. hrúbka kotúča	6,4 mm	7,2 mm	
Závit vretena	M10	M14 alebo 5/8" (špecifické pre konkrétnu krajinu)	
Menovité otáčky (n)	11 000 min ⁻¹		
Celková dĺžka	266 mm		
Čistá hmotnosť	1,7 kg	1,8 kg	
Trieda bezpečnosti	□/II		

- Vzhľadom na neustály výskum a vývoj podliehajú technické údaje uvedené v tomto dokumente zmenám bez upozornenia.
- Technické údaje sa môžu pre rôzne krajiny líšiť.
- Hmotnosť podľa postupu EPTA 01/2003

Určené použitie

Tento nástroj je určený na brúsenie, pieskovanie a rezanie kovových a kamenných materiálov bez použitia vody.

Napájanie

Nástroj sa môže pripojiť len k zodpovedajúcemu zdroju s napätím rovnakým, aké je uvedené na typovom štítku, a môže pracovať len s jednofázovým striedavým napätím. Nástroj je vybavený dvojistou izoláciou, a preto sa môže používať pri zapojení do zásuviek bez uzemňovacieho vodiča.

Hluk

Typická hladina akustického tlaku záťaže A určená podľa štandardu EN60745:

Úroveň akustického tlaku (L_{pA}) : 85 dB (A)

Úroveň akustického tlaku (L_{WA}) : 96 dB (A)

Odchýlka (K): 3 dB (A)

VAROVANIE: Používajte ochranu sluchu.

Vibrácie

Celková hodnota vibrácií (trojosový vektorový súčet) určená podľa štandardu EN60745:

Model GA4030R

Režim činnosti: povrchové brúsenie

Emisie vibrácií ($a_{h,AG}$): 7,0 m/s²

Odchýlka (K): 1,5 m/s²

Režim činnosti: pieskovanie diskom

Emisie vibrácií ($a_{h,DS}$): 2,5 m/s² alebo menej

Odchýlka (K): 1,5 m/s²

Model GA4530R

Režim činnosti: povrchové brúsenie

Emisie vibrácií ($a_{h,AG}$): 7,5 m/s²

Odchýlka (K): 1,5 m/s²

Režim činnosti: pieskovanie diskom

Emisie vibrácií ($a_{h,DS}$): 2,5 m/s² alebo menej

Odchýlka (K): 1,5 m/s²

Model GA5030R

Režim činnosti: povrchové brúsenie

Emisie vibrácií ($a_{h,AG}$): 8,5 m/s²

Odchýlka (K): 1,5 m/s²

Režim činnosti: pieskovanie diskom

Emisie vibrácií ($a_{h,DS}$): 2,5 m/s² alebo menej

Odchýlka (K): 1,5 m/s²

POZNÁMKA: Deklarovaná hodnota emisií vibrácií bola meraná podľa štandardnej skúšobnej metódy a môže sa použiť na porovnanie jedného nástroja s druhým.

POZNÁMKA: Deklarovaná hodnota emisií vibrácií sa môže použiť aj na predbežné posúdenie vystavenia ich účinkom.

VAROVANIE: Emisie vibrácií počas skutočného používania elektrického nástroja sa môžu odlišovať od deklarovanej hodnoty emisií vibrácií, a to v závislosti od spôsobov používania náradia.

VAROVANIE: Nezabudnite označiť bezpečnostné opatrenia s cieľom chrániť obsluhu, a to tie, ktoré sa zakladajú na odhade vystavenia účinkom v rámci reálnych podmienok používania (berúc do úvahy všetky súčasti prevádzkového cyklu, ako sú doby, kedy je nástroj vypnutý a kedy beží bez záťaženia, ako dodatok k dobe zapnutia).

VAROVANIE: Deklarovaná hodnota vibrácií sa používa pre hlavné aplikácie elektrického náradia. Pokiaľ sa však náradie používa na iné účely, hodnota emisií vibrácií môže byť iná.

Vyhlasenie o zhode so smernicami Európskeho spoločenstva

Len pre európske krajiny

Spoločnosť Makita vyhlasuje, že nasledovné strojný zariadenie/aa:

Označenie zariadenia: Uhľová brúska

Číslo modelu/typ: GA4030R, GA4530R, GA5030R

Je v zhode s nasledujúcimi európskymi smernicami: 2006/42/EC

Sú vyrobené podľa nasledovných noriem a štandardizovaných dokumentov: EN60745

Technická dokumentácia podľa smernice 2006/42/EC je k dispozícii na adrese:
Makita, Jan-Baptist Vinkstraat 2, 3070, Belgicko
2.6.2015



Yasushi Fukaya
Riaditeľ
Makita, Jan-Baptist Vinkstraat 2, 3070, Belgicko

Všeobecné bezpečnostné predpisy pre elektrické nástroje

VAROVANIE: Prečítajte si všetky bezpečnostné výstrahy a pokyny. Nedodržavanie výstrah a pokynov môže mať za následok zasiahnutie elektrickým prúdom, požiar alebo vážne zranenie.

Všetky výstrahy a pokyny si odložte pre prípad potreby v budúcnosti.

Pojem „elektrický nástroj“ sa vo výstrahách vzťahuje na elektrický napájané elektrické nástroje (s káblom) alebo batériu napájané elektrické nástroje (bez kábla).

Bezpečnostné varovania pre brúsku

Spoločné bezpečnostné varovania pre operácie brúsenia, pieskovania, brúsenia drôteným kotúčom alebo abrazívneho rozbrusovania:

1. Tento elektrický nástroj funguje ako brúska, pieskovač, drôtená kefa alebo rozbrusovací nástroj. Preštudujte si všetky bezpečnostné varovania, pokyny, vyobrazenia a technické špecifikácie určené pre tento elektrický nástroj. Pri nedodržaní všetkých nasledujúcich pokynov môže dôjsť k úrazu elektrickým prúdom, požiaru a/alebo vážnemu zraneniu.
2. Týmto elektrickým nástrojom sa neodporúča vykonávať činnosti, ako je napríklad leštenie. Používanie na činnosti, na ktoré tento nástroj nie je určený, môže zvyšovať riziko a spôsobiť zranenie osôb.
3. **Nepoužívajte príslušenstvo, ktoré nie je výslovné určené a odporúčané výrobcom nástroja.** Skutočnosť, že príslušenstvo možno pripojiť k vášmu elektrickému nástroju, nezaisťuje bezpečnú prevádzku.
4. **Menovité rýchlosti príslušenstva sa musí minimálne rovnáť maximálnej rýchlosti vyznačenej na elektrickom nástroji.** Príslušenstvo prevádzkované vyššou rýchlosťou ako jeho menovitá rýchlosť môže prasknúť a rozpadnúť sa.
5. **Vonkajší priemer a hrúbka vášho príslušenstva musí byť v rozmedzí menovitej kapacity elektrického nástroja.** Príslušenstvo nesprávnej veľkosti nemožno správne chrániť pomocou chráničov ani ovládať.
6. **Montáž príslušenstva so závitom musí vyhovovať závitom vretena brúsky.** Ak ide o príslušenstvo montované pomocou prírub, otvor na vreteno na príslušenstve musí vyhovovať polohovaciemu priemeru príruby. Príslušenstvo, ktoré nevyhovuje montážnym prvkom elektrického nástroja, bude fungovať nevyvážené, bude nadmerne vibrovať, čo môže mať za následok stratu kontroly.
7. **Nepoužívajte poškodené príslušenstvo.** Pred každým použitím skontrolujte príslušenstvo, napríklad brúsne kotúče, či na nich nie sú úlomky a praskliny, podkladové podložky, či na nich nie sú praskliny, trhliny alebo nie sú nadmerne opotrebované, drôtenú kefu, či nemá uvoľnené alebo popraskané drôty. Ak elektrický nástroj alebo príslušenstvo spadne, skontrolujte, či nedošlo k poškodeniu, alebo namontujte nepoškodené príslušenstvo. Po kontrole a namontovaní príslušenstva sa postavte vy aj okolostojaci mimo roviny otáčajúceho sa príslušenstva a spustíte elektrický nástroj na maximálnu rýchlosť bez záťaž na jednu minútu. Poškodené príslušenstvo sa za normálnych okolností počas doby tohto testu rozpadne.
8. **Používajte osobné ochranné prostriedky.** V závislosti od typu použitia používajte štit na tvár, ochranné okuliare alebo bezpečnostné okuliare. Podľa potreby použite protiprachovú masku, chrániče sluchu, rukavice a pracovnú brúsu schopnú zastaviť malé úlomky brusiva alebo obrobku. Ochrana zraku musí byť schopná zastaviť odletujúce úlomky pri rôznych úkonoch. Protiprachová maska alebo respirátor musia byť schopné filtrovať častičky vznikajúce pri práci. Dlhodobé vystavenie intenzívnemu huku môže spôsobiť stratu sluchu.
9. **Okolostojacich udržiavajte v bezpečnej vzdialenosti od miesta práce.** Každý, kto vstúpi na miesto práce, musí mať nasadené osobné ochranné prostriedky. Úlomky obrobku alebo poškodené príslušenstvo môže odletieť a spôsobiť poranenie aj mimo bezprostredného miesta práce.
10. **Ak pri práci hrozí, že by rezné príslušenstvo mohlo prísť do kontaktu so skrytým vedením alebo vlastným káblom, držte elektrický nástroj len za izolované úchopné povrchy.** Rezné príslušenstvo, ktoré sa dostane do kontaktu s vodičom pod napätím, môže spôsobiť prechod elektrického prúdu kovovými časťami elektrického nástroja a spôsobiť tak obsluhu zasiahnutie elektrickým prúdom.
11. **Kábel umiestnite ďalej od otáčajúceho sa príslušenstva.** V prípade straty kontroly nad nástrojom môže dôjsť k prerezaniu alebo zachyteniu kábla alebo vtiahnutiu vašej ruky do otáčajúceho sa príslušenstva.
12. **Elektrický nástroj nikdy neodkladajte, kým sa príslušenstvo úplne nezastaví.** Otáčajúce sa príslušenstvo sa môže zachytiť o povrch a spôsobiť vytrhnutie elektrického nástroja spod vašej kontroly.
13. **Nikdy nespúšťajte elektrický nástroj, keď ho prenášate.** Pri náhodnom kontakte by sa do otáčajúceho sa príslušenstva mohol zachytiť odev a stiahnuť vám príslušenstvo smerom k telu.
14. **Pravidelne čistite priechody elektrického nástroja.** Ventilátor motora vtáhuje prach do krytu a nadmerné nahromadenie práškoveho kovu môže spôsobiť riziko zásahu elektrickým prúdom.
15. **Nepoužívajte elektrický nástroj v blízkosti horľavých materiálov.** Iskry by mohli spôsobiť vznietenie týchto materiálov.
16. **Nepoužívajte príslušenstvo, ktoré vyžaduje chladenie kvapalinou.** Pri použití vody alebo inej chladiacej kvapaliny by mohlo dôjsť k usmrteniu alebo zásahu elektrickým prúdom.

Spätňý náraz a súvisiace varovania

Spätňý náraz je náhla reakcia na zovretý alebo pritlačený rotujúci kotúč, opornú podložku, kefu alebo iné príslušenstvo. Zoškrtenie alebo pritlačenie spôsobí náhle spomalenie otáčajúceho sa príslušenstva, čo zase spôsobí nekontrolované uskočenie elektrického nástroja v opačnom smere ako sa otáča príslušenstvo v momente zovretia. Ak napríklad dôjde k zovretiu alebo zaseknutiu brúsneho kotúča v obrobru, okraj kotúča v bode zovretia sa môže zaseknúť do povrchu materiálu a spôsobíť vyskočenie alebo spätňý náraz kotúča. Kotúč môže odskočiť smerom k obsluhujúcej osobe alebo smerom od nej. Závisí to od smeru otáčania kotúča v mieste zovretia. Brúsne kotúče sa môžu v takomto prípade aj zlomiť. Spätňý náraz je dôsledkom nesprávneho používania a/alebo nesprávnej obsluhy elektrického nástroja, prípadne k nemu dochádza v dôsledku nesprávnych prevádzkových postupov alebo podmienok. Možno mu predchádzať uplatňovaním správnych bezpečnostných opatrení uvedených nižšie.

1. **Elektrický nástroj držte stále pevne oboma rukami a telo a ruky majte v polohe, ktorá vám umožní zvládnuť spätňý náraz. Vždy používajte aj pomocnú rúčku, ak je súčasťou nástroja, čím dosiahnete maximálnu kontrolu nad spätňým nárazom alebo momentovou reakciou pri spustení.** Sily spätňého nárazu alebo momentových reakcií môže obsluhujúca osoba ovládnuť, ak vykoná príslušné protiopatrenia.
2. **Nikdy nedávajte ruku do blízkosti otáčajúceho sa príslušenstva.** Príslušenstvo môže vykonať spätňý náraz ponad vašu ruku.
3. **Nepribližujte sa telom do oblastí, kam sa pohne elektrický nástroj, keď nastane spätňý náraz.** Spätňý náraz vymrští nástroj v opačnom smere, ako je pohyb kotúča v bode pritlačenia.
4. **Pri opracovávaní rohov, ostrých hrán a pod. buďte zvlášť opatrní.** Zabráňte odsakovaniu a zasekávaniu príslušenstva. Príslušenstvo sa často zasekáva na rohoch, ostrých hranách alebo pri odsakovaní, čo môže spôsobiť stratu kontroly alebo spätňý náraz.
5. **Nepripájajte rezbárske ostrie reťazovej píly ani zúbkovanú čepeľ píly.** Takéto ostria často spôsobujú spätňý náraz a stratu kontroly.

Špecifické bezpečnostné varovania pre operácie brúsenia a abrazívneho rozbrusovania:

1. **Používajte len typy kotúčov, ktoré sú odporúčané pre váš elektrický nástroj a špecifický ochranný kryt určený pre zvolený kotúč.** Kotúče, ktoré nie sú určené pre tento elektrický nástroj, nemôžu byť dostatočne chránené a nie sú bezpečné.
2. **Brúsny povrch plochých kotúčov sa musí namontovať pod rovnu okraja chrániča.** Nesprávne namontovaný kotúč vyčnievajúci cez rovnu okraja chrániča nemôže byť správne chránený.
3. **Chránič musí byť bezpečne upevnený na elektrický nástroj a musí byť nastavený na maximálnu bezpečnosť, aby bola obsluha vystavená čo najmenšej časti kotúča.** Ochranný kryt pomáha chrániť obsluhu pred úlomkami z kotúča a náhodným kontaktom s kotúčom a iskrami, ktoré by mohli zapáliť odev.
4. **Kotúče sa musia používať jedine na odporúčané aplikácie.** Napríklad: nebrúste bočnou stranou rozbrusovacieho kotúča. Abrazívne rozbrusovacie kotúče sú určené na periférne brúsenie; bočné sily aplikované na tieto kotúče by mohli zapríčiniť ich rozlomenie.

5. **Vždy používajte nepoškodené príruby kotúčov správnej veľkosti a tvaru pre váš zvolený kotúč.** Správne príruby kotúčov podpierajú kotúč a tým znižujú pravdepodobnosť zlomenia kotúča. Príruby pre rozbrusovacie kotúče sa môžu líšiť od prírub pre brúsne kotúče.
6. **Nepoužívajte vydraté kotúče z väčších elektrických nástrojov.** Kotúče určené pre väčšie elektrické nástroje nie sú vhodné pre vyššie rýchlosti menších nástrojov a môžu prasknúť.

Ďalšie bezpečnostné varovania pre operácie brúsenia a abrazívneho rezania:

1. **Rozbrusovací kotúč nestláčajte ani naň nevyvíjajte nadmerný tlak. Nepokúšajte sa rezať príliš hlboko.** Prilísne namáhanie kotúča zvyšuje zataženie a náchylnosť k stočeniu alebo zovretiu kotúča v reze a pravdepodobnosť spätňého nárazu alebo zlomenia kotúča.
2. **Nestavajte sa do polohy súbežne alebo za otáčajúci sa kotúč.** Keď sa kotúč počas činnosti pohybuje smerom od vás, možný spätňý náraz môže vrhnúť rotujúci kotúč a elektrický nástroj priamo na vás.
3. **Keď sa kotúč zovrie alebo z nejakého dôvodu potrebujete prerušiť rez, vypnite elektrický nástroj a držte ho bez pohybu, kým sa kotúč úplne zastaví. Nikdy sa nepokúšajte vybrať rozbrusovací kotúč z rezu, kým sa kotúč pohybuje; v opačnom prípade môže dôjsť k spätnému nárazu.** Zistíte príčinu zvierania kotúča a vykonajte kroky na jeho odstránenie.
4. **Nezaciňajte opätovne rezanie s kotúčom v obrobru. Nechajte kotúč dosiahnuť plné otáčky a opatrne ho znovu vložte do rezu.** Kotúč sa môže zovrieť, vystúpiť nahor alebo naraziť späť, ak elektrický nástroj znovu spustíte v obrobru.
5. **Panely a obroby nadmernej veľkosti podprite, aby sa minimalizovalo riziko zovretia alebo spätňého nárazu kotúča.** Veľké obroby sa zvyknú prehýbať vlastnou váhou. Podpory treba umiestniť pod obroby na oboch stranách v blízkosti línie rezu a v blízkosti okraja obrobu po oboch stranách kotúča.
6. **Buďte zvlášť opatrní pri vytváraní „dutinového rezu“ do existujúcich stien či iných neprehľadných povrchov.** Prečnievajúci kotúč sa môže zarezáť do plynových alebo vodovodných potrubí, elektrického vedenia alebo objektov, ktoré môžu zapríčiniť spätňý náraz.

Bezpečnostné varovania špecifické pre operácie pieskovania:

1. **Nepoužívajte brúsne papiere na disk nadmernej veľkosti. Pri výbere brúsnych papierov dodržiavajte odporúčania výrobcov.** Väčšie brúsne papiere prečnievajúce mimo brúsnu podložku predstavujú riziko spôsobenia tržných rán a môžu zapríčiniť zadrhnutie, roztrhnutie disku alebo spätňý náraz.

Bezpečnostné varovania špecifické pre brúsenie drôtenou kefou:

1. **Myslite na to, že aj pri bežnej činnosti z kefy vyletujú drôtené štetiny. Drôty nadmerne nenamáhajte prílišným tlakom vyvíjaným na kefu.** Drôtené štetiny ľahko preniknú šatstvom a/alebo kožou.
2. **Ak sa pri brúsení drôtenou kefou odporúča ochranný kryt, dbajte na to, aby drôtený kotúč alebo kefa nezasahovali do ochranného krytu.** Drôtený kotúč alebo kefa sa vďaka pracovnému zataženiu a odstredivým silám môžu vo svojom priemere rozťahovať.

Ďalšie bezpečnostné varovania:

1. Pri používaní ploských kotúčov vždy používajte len kotúče vystužené sklenenými vláknami.
2. V spojení s touto brúskou NIKDY NEPOUŽÍVAJTE kotúče na brúsenie kameňa kalichového typu. Táto brúška nebola navrhnutá na používanie týchto typov kotúčov a používanie takéhoto výrobku môže mať za následok vážne osobné poranenie.
3. Dávajte pozor, aby ste nepoškodili vreteno, prírubu (najmä montážnu plochu) ani uzamykaciu maticu. Poškodenie týchto dielov by mohlo spôsobiť narušenie kotúča.
4. Pred zapnutím spínača skontrolujte, či sa kotúč nedotýka obrobku.
5. Skôr ako použijete nástroj na obrobku, nechajte ho chvíľu bežať. Skontrolujte, či nedochádza k vibráciám alebo hádzaniu, ktoré by mohlo naznačovať nesprávnu montáž alebo nesprávne vyvážený kotúč.
6. Na brúsenie používajte na túto činnosť určený povrch kotúča.
7. Nenechávajte nástroj v prevádzke bez dozoru. Pracujte s ním, len keď ho držíte v rukách.
8. Nedotýkajte sa obrobku hneď po úkone; môže byť extrémne horúci a môže vám popáliť pokožku.
9. Dodržiavajte pokyny výrobcu na správnu montáž a používanie kotúčov. Kotúče používajte a skladujte starostlivo.
10. Nepoužívajte samostatné redukčné puzdrá ani adaptéry na prispôbenie brúsnym kotúčom s veľkým otvorom.
11. Používajte len príruby určené pre tento nástroj.
12. Pri nástrojoch určených na upevnenie pomocou kotúča so závitovým otvorom skontrolujte, či závit v kotúči je dostatočne dlhý pre dĺžku vretena.
13. Skontrolujte, či je obrobok správne podoprený.
14. Majte na pamäti, že kotúč sa ďalej točí aj po vypnutí nástroja.
15. Pri práci v extrémne horúcom a vlhkom prostredí alebo prostredí silne znečistenom vodivým prachom používajte skratový istič (30 mA) na zaistenie bezpečnosti obsluhy.
16. Nepoužívajte nástroj na materiáloch obsahujúcich azbest.
17. Pri používaní rozbrusovacieho kotúča vždy pracujte s krytom kotúča na zber prachu podľa miestnych predpisov.
18. Rozbrusovacie disky sa nesmú vystavovať priečnemu tlaku.
19. Počas obsluhy nepoužívajte látkové pracovné rukavice. Vlákna z látkových rukavic sa môžu dostať do náradia s následkom poškodenia náradia.

TIETO POKYNY USCHOVAJTE.

VAROVANIE: NIKDY nepripustíte, aby seba-vedomie a dobrá znalosť výrobku (získané opakovaným používaním) nahradili presné dodržiavanie bezpečnostných pravidiel pri používaní náradia. **NESPRÁVNE POUŽÍVANIE** alebo nedodržiavanie bezpečnostných zásad uvedených v tomto návode môže viesť k vážnemu zraneniu.

OPIS FUNKCIÍ

POZOR: Pred nastavením nástroja alebo kontrolou jeho funkcie sa vždy presvedčte, že je vypnutý a vytiahnutý zo zásuvky.

Poistka hriadeľa

Otáčaniu vretena pri montáži alebo demontáži príslušenstva zabránite stlačením poistky hriadeľa.

► Obr.1: 1. Poistka hriadeľa

UPOZORNENIE: Nikdy neaplikujte poistku hriadeľa, keď sa vreteno pohybuje. Nástroj sa môže poškodiť.

Zapínanie

POZOR: Pred zapojením tohto nástroja vždy skontrolujte, či posuvný prepínač funguje správne a vráti sa po zatlačení zadnej strany posuvného vypínača do pozície „OFF“ (Vyp.).

POZOR: Operátor môže počas dlhšieho používania zablokovať spúšť v zapnutej polohe („ON“), čo mu uľahčí prácu. Pri blokovaní náradia v zapnutej polohe („ON“) dávajte pozor a zachovajte pevné držanie náradia.

Náradie spustíte posunutím posuvného prepínača do polohy „I (Zap.)“ stlačením zadnej časti posuvného prepínača. Nepretržitý chod dosiahnete stlačením prednej strany posuvného prepínača a jeho zablokovaním. Nástroj zastavíte stlačením zadnej strany posuvného prepínača a jeho následným posunutím do polohy „O (Vyp.)“.

► Obr.2: 1. Posuvný prepínač

Zabezpečenie pred neúmyselným opätovným spustením

Náradie sa nespustí, ak je spínač zablokovaný, a to ani ak náradie zapojíte do siete.

Ak chcete vypnúť zabezpečenie pred neúmyselným opätovným spustením, vráťte vypínač napájania do polohy OFF (VYP.).

POZNÁMKA: Keď je zabezpečenie pred neúmyselným opätovným spustením aktivované, pred opätovným spustením nástroja počkajte dlhšie ako jednu sekundu.

POZNÁMKA: Keď je nástroj preťažený a jeho teplota dosiahne určitú úroveň, nástroj sa môže automaticky zastaviť. V tejto situácii nechajte nástroj pred opätovným spustením vychladnúť.

Funkcia hladkého štartu

Funkcia hladkého štartu redukuje reakciu pri štartovaní.

ZOSTAVENIE

▲POZOR: Skôr než začnete na nástroji robiť akékoľvek práce, vždy sa predtým presvedčte, že je vypnutý a vytiahnutý zo zásuvky.

Inštalácia bočnej rukoväti (držadla)

▲POZOR: Pred použitím sa vždy uistite, že bočná rukoväť je pevne nainštalovaná.

Bočnú rukoväť bezpečne priskrutkujte na nástroj, ako je to znázornené na obrázku.

► Obr.3

Inštalácia alebo demontáž ochranného krytu kotúča (pre ploský kotúč, lamelový disk, flexibilný kotúč, drôtenú kotúčovú kefu/abrazívny rozbrusovací kotúč, diamantový kotúč)

▲VAROVANIE: Pri použití ploského kotúča, lamelového disku, flexibilného kotúča alebo drôtenej kotúčovej kefy je potrebné na náradie namontovať ochranný kryt kotúča tak, aby uzatvorená strana krytu vždy smerovala k obsluhu.

▲VAROVANIE: Pri použití abrazívneho rozbrusovacieho kotúča/diamantového kotúča vždy používajte len špeciálny ochranný kryt kotúča určený na použitie s rozbrusovacími kotúčmi.

(V niektorých krajinách Európy sa pri použití diamantového kotúča môže používať štandardný ochranný kryt. Dodržiavajte nariadenia platné vo vašej krajine.)

Pre nástroj s krytom kotúča s poistnou skrutkou

Namontujte ochranný kryt kotúča tak, aby boli výčnelky na remeni ochranného krytu kotúča zarovnané s drážkami na ložiskovej vložke. Potom otočte ochranný kryt kotúča do takého uhla, aby podľa druhu vykonávanej práce chránil obsluhu. Skrutku bezpečne utiahnite. Kryt kotúča vyberajte opačným postupom ako pri vkladani.

► Obr.4: 1. Kryt kotúča 2. Ložisková vložka 3. Skrutka

Pre nástroj s krytom kotúča s upínacou pákou

Uvoľnite skrutku a potom potiahnite páku v smere šípky. Namontujte ochranný kryt kotúča tak, aby boli výčnelky na remeni ochranného krytu kotúča zarovnané s drážkami na ložiskovej vložke. Potom otočte ochranný kryt kotúča do takého uhla, aby podľa druhu vykonávanej práce chránil obsluhu.

► Obr.5: 1. Kryt kotúča 2. Ložisková vložka 3. Skrutka 4. Páčka

Potiahnite páku v smere šípky. Potom utiahnutím skrutky utiahnite ochranný kryt kotúča. Skrutku bezpečne utiahnite. Pákou možno nastaviť nastavovací uhol ochranného krytu kotúča.

► Obr.6: 1. Skrutka 2. Páčka

Kryt kotúča vyberajte opačným postupom ako pri vkladani.

Montáž alebo demontáž ploského brúsneho kotúča alebo lamelového disku

Voliteľné príslušenstvo

▲VAROVANIE: Pri použití ploského brúsneho kotúča alebo lamelového disku je potrebné na náradie namontovať ochranný kryt kotúča tak, aby uzatvorená strana krytu vždy smerovala k obsluhu.

▲POZOR: Dbajte na to, aby časť na uchytenie vnútornej príruby dokonale zapadla do vnútorného priemeru ploského brúsneho kotúča alebo lamelového disku. Namontovanie vnútornej príruby na nesprávnu stranu môže mať za následok nebezpečné vibrácie.

Na vreteno namontujte vnútornú prírubu.

Namontujte ju tak, aby časť vnútornej príruby so zárezom zapadla do rovnej časti na spodku vretena.

Ploský brúsny kotúč alebo lamelový disk pripevnite na vnútornú prírubu a na vreteno naskrutkujte uzamykaciu maticu.

► Obr.7: 1. Uzamykacia matica 2. Ploský kotúč 3. Vnútorná prírubu 4. Časť na uchytenie

Uzamykaciu maticu dotiahnete pevným stlačením poistky hriadeľa tak, aby sa vreteno neotáčalo, potom ju kľúčom na uzamykaciu maticu bezpečne dotiahnite v smere hodinových ručičiek.

► Obr.8: 1. Kľúč na uzamykaciu maticu 2. Poistka hriadeľa

Kotúč vyberajte opačným postupom ako pri vkladani.

Super prírubu

Voliteľné príslušenstvo

Len pre náradie s vretenom so závitom M14.

Modely označené písmenom F sú štandardne vybavené super prírubou. V porovnaní s bežnými typmi je na uvoľnenie uzamykacej matice potrebná iba 1/3 vynaloženej sily.

Inštalácia alebo demontáž flexibilného kotúča

Voliteľné príslušenstvo

▲VAROVANIE: Ak je flexibilný kotúč namontovaný na náradí, vždy používajte dodaný ochranný kryt. Kotúč sa môže počas používania roztrieštiť a kryt prispeje k zníženiu možnosti zranenia osôb.

► Obr.9: 1. Uzamykacia matica 2. Flexibilný kotúč 3. Oporná podložka 4. Vnútorná prírubu

Dodržiavajte pokyny na používanie ploských brúsnych kotúčov, ale používajte aj opornú podložku nainštalovanú na kotúči. Poradie montáže nájdete v tomto návode, na strane venovanej príslušenstvu.

Montáž a demontáž brúsneho disku

Voliteľné príslušenstvo

► **Obr.10:** 1. Uzamykacia matica na pieskovanie
2. Brúsny disk 3. Gumová podložka

1. Na vreteno namontujte gumovú podložku.
2. Disk pripievajte na gumovú podložku a na vreteno priskrutkujte uzamykaciu maticu na brúsenie.
3. Podržte vreteno poistkou hriadeľa a pevne utiahnite uzamykaciu maticu na pieskovanie v smere hodinových ručičiek pomocou kľúča na uzamykaciu maticu.

Disk vyberajte opačným postupom ako pri vkladaní.

POZNÁMKA: Použite príslušenstvo brúsky opísané v tejto príručke. Príslušenstvo je potrebné zakúpiť zvlášť.

PREVÁDZKA

VAROVANIE: Na nástroj sa nikdy nemá tlačiť. Váha nástroja vyvíja dostatočný tlak. Tlačenie a nadmerný tlak môžu spôsobiť nebezpečné narušenie kotúča.

VAROVANIE: Kotúč vymeňte **VŽDY**, keď nástroj počas brúsenia spadne.

VAROVANIE: Pri práci brúsnym diskom alebo kotúčom **NIKDY** nevrážajte ani neudierajte.

VAROVANIE: Zabráňte odsakovaniu a zadrhávaniu kotúča predovšetkým pri práci na rohoch, ostrých hranách atď. Môže to spôsobiť stratu kontroly a spätný náraz.

VAROVANIE: **NIKDY** nepoužívajte nástroj s čepeľami na rezanie dreva a s inými čepeľami píľ. Ak sa takéto čepele používajú na brúske, často spôsobujú nárazy a stratu kontroly, ktorá môže mať za následok zranenie osôb.

POZOR: Nástroj nikdy nezapínajte, ak je v styku s obrobkom. Mohlo by dôjsť k zraneniu obsluhy.

POZOR: Pri práci vždy používajte ochranné okuliare alebo ochranný štít.

POZOR: Po prevádzke nástroj vždy vypnite a počkajte, kým sa kotúč úplne zastaví, potom nástroj odložte.

POZOR: Nástroj držte **VŽDY** pevne jednou rukou za kryt a druhou za bočnú rukoväť.

Brúsenie a pieskovanie

► Obr.11

Nástroj zapnite a potom priložte kotúč alebo disk k obrobku.

Vo všeobecnosti platí, že je potrebné držať hranu kotúča alebo disku v 15° uhle k povrchu obrobku. Počas zapracovania nového kotúča brúska nesmie pracovať v smere dopredu, pretože by sa mohla zarezať do obrobku. Keď sa hrana kotúča používaním zaobľí, s kotúčom sa môže pracovať v smere dopredu aj dozadu.

Práca s abrazívnym rozbrusovacím kotúčom/diamantovým kotúčom

Voliteľné príslušenstvo

VAROVANIE: Pri použití abrazívneho rozbrusovacieho kotúča/diamantového kotúča **vždy používajte len špeciálny ochranný kryt kotúča určený na použitie s rozbrusovacími kotúčmi.**

(V niektorých krajinách Európy sa pri použití diamantového kotúča môže používať štandardný ochranný kryt. Dodržiavajte nariadenia platné vo vašej krajine.)

VAROVANIE: **NIKDY NEPOUŽÍVAJTE** rozbrusovací kotúč na priečne brúsenie.

VAROVANIE: Kotúč nestláčajte ani naň nevyvíjajte nadmerný tlak. **Nepokúšajte sa rezať príliš hlboko.** Prílišné namáhanie kotúča zvyšuje zaťaženie a náchylnosť k stočeniu alebo zovretiu kotúča v reze a pravdepodobnosť spätného nárazu, zlomenia kotúča alebo prehriatia motora.

VAROVANIE: **Nezačínajte rezanie v obrobku.** Nechajte kotúč dosiahnuť plnú rýchlosť a opatrne vstúpte do rezu, pričom pohybujte nástrojom dopredu nad povrchom obrobku. Kotúč sa môže zovrieť, vystúpiť nahor alebo naraziť späť, ak elektrický nástroj spustíte v obrobku.

VAROVANIE: **Počas rezania nikdy nemeňte uhol kotúča.** Pri vyvíjaní bočného tlaku na rozbrusovací kotúč (ako pri brúsení) spôsobí prasknutie a zlomenie kotúča a následné vážne telesné poranenie.

VAROVANIE: **Diamantový kotúč sa bude používať v smere kolmo na rezaný materiál.**

► **Obr.12:** 1. Uzamykacia matica 2. Abrazívny rozbrusovací kotúč/diamantový kotúč 3. Vnútorná príruha 4. Ochranný kryt abrazívneho rozbrusovacieho kotúča/diamantového kotúča

Inštaláciu vykonajte podľa pokynov pre ploský kotúč.

Smer montáže uzamykacej matice a vnútornej príruby sa mení v závislosti od typu a hrúbky kotúča. Pozrite si nasledujúce hodnoty.

Pre 100 mm (4") model

Pri inštalácii abrazívneho rozbrusovacieho kotúča:

► **Obr.13:** 1. Uzamykacia matica 2. Abrazívny rozbrusovací kotúč (tenší ako 4 mm (5/32"))
3. Abrazívny rozbrusovací kotúč (4 mm (5/32") alebo hrubší) 4. Vnútorná príruha

Pri inštalácii diamantového kotúča:

- **Obr.14:** 1. Uzamykacia matica 2. Diamantový kotúč (tenší ako 4 mm (5/32")) 3. Diamantový kotúč (4 mm (5/32")) alebo hrubší
4. Vnútoraná príruha

Pre 115 mm (4 – 1/2")/125 mm (5") model

Pri inštalácii abrazívneho rozbrusovacieho kotúča:

- **Obr.15:** 1. Uzamykacia matica 2. Abrazívny rozbrusovací kotúč (tenší ako 4 mm (5/32")) 3. Abrazívny rozbrusovací kotúč (4 mm (5/32")) alebo hrubší 4. Vnútoraná príruha

Pri inštalácii diamantového kotúča:

- **Obr.16:** 1. Uzamykacia matica 2. Diamantový kotúč (tenší ako 4 mm (5/32")) 3. Diamantový kotúč (4 mm (5/32")) alebo hrubší
4. Vnútoraná príruha

Prevádzka s drôtenou kalichovou kefou

Voliteľ/né príslušenstvo

▲POZOR: Činnosť kefy skontrolujte spustením nástroja bez zaťaženia a zabezpečte pri tom, aby nikto nebol pred alebo v línii s kefou.

▲POZOR: Kefu nepoužívajte, ak je poškodená alebo ak nie je vyvážená. Používanie poškodenej kefy môže zvýšiť možnosť poranenia v dôsledku kontaktu so zlomenými drôtni kefy.

- **Obr.17:** 1. Drôtená kalichová kefa

Náradie odpojte od prívodu energie a položte ho naopak, čím získate prístup k hriadeľu.

Odmontujte všetko príslušenstvo z vretena. Na hriadeľ naskrutkujte drôtenú kalichovú kefu a utiahnite dodaným kľúčom.

UPOZORNENIE: Nepôsobte príliš veľkým tlakom, ktorý spôsobí ohnutie drôtov pri používaní kefy. Môže to viesť k predčasnému lámaniu.

Prevádzka s drôtenou kotúčovou kefou

Voliteľ/né príslušenstvo

▲POZOR: Činnosť drôtenej kotúčovej kefy skontrolujte spustením náradia bez zaťaženia a zabezpečte pri tom, aby nikto nebol pred alebo v línii s drôtenou kotúčovou kefou.

▲POZOR: Drôtenú kotúčovú kefu nepoužívajte ak je poškodená alebo ak nie je vyvážená. Používanie poškodenej drôtenej kotúčovej kefy môže zvýšiť možnosť poranenia v dôsledku kontaktu so zlomenými drôtni.

▲POZOR: V spojení s drôtenými kotúčovými kefami **VŽDY** používajte ochranný kryt a zaistite pri tom, aby kotúč zapadol do ochranného krytu. Kotúč sa môže počas používania roztriešťať a kryt prispeje k zníženiu možnosti zranenia osôb.

- **Obr.18:** 1. Drôtená kotúčová kefa

Náradie odpojte od prívodu energie a položte ho naopak, čím získate prístup k hriadeľu.

Odmontujte všetko príslušenstvo z vretena. Drôtenú kotúčovú kefu naskrutkujte na vreteno a utiahnite pomocou kľúčov.

UPOZORNENIE: Nepôsobte príliš veľkým tlakom, ktorý spôsobí ohnutie drôtov pri používaní kotúčovej kefy. Môže to viesť k predčasnému lámaniu.

ÚDRŽBA

▲POZOR: Pred vykonávaním kontroly a údržby nástroj vždy vypnite a odpojte od prívodu elektrickej energie.

UPOZORNENIE: Nepoužívajte benzín, riedidlo, alkohol ani podobné látky. Mohlo by to spôsobiť zmenu farby, deformácie alebo praskliny.

Čistenie vzduchových prieduchov

Náradie a jeho vzduchové prieduchy je nutné udržiavať čisté. Vzduchové prieduchy náradia pravidelne čistite. Čistite ich aj pri každom zanesení.

- **Obr.19:** 1. Výfukový prieduch 2. Nasávací prieduch

Ak chcete udržať **BEZPEČNOSŤ** a **BEZPORUCHOVOSŤ** výrobku, prenechajte opravy, údržbu a nastavenie na autorizované alebo továrenské servisné centrá Makita, ktoré používajú len náhradné diely značky Makita.

VOLITEĽNÉ PRÍSLUŠENSTVO

⚠ POZOR: Pre váš nástroj Makita, opísaný v tomto návode, doporučujeme používať toto príslušenstvo a nástavce. Pri použití iného príslušenstva či nástavcov môže hroziť nebezpečenstvo zranenia osôb. Príslušenstvo a nástavce sa môžu používať len na účely pre ne stanovené.

Ak potrebujete bližšie informácie týkajúce sa tohoto príslušenstva, obráťte sa na vaše miestne servisné stredisko firmy Makita.

► Obr.20

-	100 mm (4") model	115 mm (4 – 1/2") model	125 mm (5") model
1	Rukoväť 36		
2	Ochranný kryt kotúča (pre brúsny kotúč)		
3	Vnútoraná príruha	Vnútoraná príruha/super príruha	
4	Ploský kotúč/lamelový disk		
5	Uzamykacia matica		
6	Oporná podložka		
7	Flexibilný kotúč		
8	Gumová podložka 76	Gumová podložka 100	Gumová podložka 115
9	Brúsny disk		
10	Uzamykacia matica na pieskovanie		
11	Drôtená kotúčová kefa		
12	Drôtená kalichová kefa		
13	Ochranný kryt kotúča (pre rozbrusovací kotúč) *1		
14	Abrazívny rozbrusovací kotúč/diamantový kotúč		
-	Kľúč na uzamykaciu maticu		

POZNÁMKA: *1 V niektorých európskych krajinách sa pri používaní diamantového kotúča môže namiesto špeciálneho ochranného krytu zakrývajúceho obe strany kotúča používať obyčajný ochranný kryt. Dodržiavajte nariadenia platné vo vašej krajine.

POZNÁMKA: Niektoré položky zo zoznamu môžu byť súčasťou balenia nástrojov vo forme štandardného príslušenstva. Rozsah týchto položiek môže byť v každej krajine odlišný.

SPECIFIKACE

Model:	GA4030R	GA4530R	GA5030R
Průměr kotouče	100 mm (4")	115 mm (4-1/2")	125 mm (5")
Max. tloušťka kotouče	6,4 mm	7,2 mm	
Závit vřetena	M10	M14 nebo 5/8" (specifické pro danou zemi)	
Jmenovité otáčky (n)	11 000 min ⁻¹		
Celková délka	266 mm		
Hmotnost netto	1,7 kg	1,8 kg	
Třída bezpečnosti	□/II		

- Vzhledem k neustálému výzkumu a vývoji podléhají zde uvedené specifikace změnám bez upozornění.
- Specifikace se mohou pro různé země lišit.
- Hmotnost podle EPTA-Procedure 01/2003

Účel použití

Nářadí je určeno k broušení, smírkování a řezání kovových materiálů a kamene bez použití vody.

Napájení

Nářadí smí být připojeno pouze k napájení se stejným napětím, jaké je uvedeno na výrobním štítku, a může být provozováno pouze v jednofázovém napájecím okruhu se střídavým napětím. Nářadí je vybaveno dvojitou izolací a může být tedy připojeno i k zásuvkám bez zemního vodiče.

Hlučnost

Typická vážená hladina hluku (A) určená podle normy EN60745:

Hladina akustického tlaku (L_{pA}): 85 dB(A)

Hladina akustického výkonu (L_{WA}): 96 dB (A)

Nejistota (K): 3 dB(A)

VAROVÁNÍ: Použijte ochranu sluchu.

Vibrace

Celková hodnota vibrací (vektorový součet tří os) určená podle normy EN60745:

Model GA4030R

Pracovní režim: broušení povrchu

Emise vibrací ($a_{h,AG}$): 7,0 m/s²

Nejistota (K): 1,5 m/s²

Pracovní režim: smírkování diskem

Emise vibrací ($a_{h,DS}$): 2,5 m/s² nebo méně

Nejistota (K): 1,5 m/s²

Model GA4530R

Pracovní režim: broušení povrchu

Emise vibrací ($a_{h,AG}$): 7,5 m/s²

Nejistota (K): 1,5 m/s²

Pracovní režim: smírkování diskem

Emise vibrací ($a_{h,DS}$): 2,5 m/s² nebo méně

Nejistota (K): 1,5 m/s²

Model GA5030R

Pracovní režim: broušení povrchu

Emise vibrací ($a_{h,AG}$): 8,5 m/s²

Nejistota (K): 1,5 m/s²

Pracovní režim: smírkování diskem

Emise vibrací ($a_{h,DS}$): 2,5 m/s² nebo méně

Nejistota (K): 1,5 m/s²

POZNÁMKA: Hodnota deklarovaných emisí vibrací byla změřena standardní zkušební metodou a dá se použít k porovnání nářadí mezi sebou.

POZNÁMKA: Hodnotu deklarovaných emisí vibrací lze také použít k předběžnému posouzení míry expozice vibracím.

VAROVÁNÍ: Emise vibrací při používání elektrického nářadí ve skutečnosti se mohou od hodnoty deklarovaných emisí vibrací lišit v závislosti na způsobu použití nářadí.

VAROVÁNÍ: Nezapomeňte stanovit bezpečnostní opatření na ochranu obsluhy podle odhadu expozice ve skutečných podmínkách použití. (Vezměte přitom v úvahu všechny části provozního cyklu, tj. kromě doby zátěže například doby, kdy je nářadí vypnuté a kdy běží naprázdno.)

VAROVÁNÍ: Hodnota deklarovaných emisí vibrací se vztahuje na hlavní účel využití akumulátorového nářadí. Bude-li však nářadí použito k jiným účelům, může být hodnota emisí vibrací jiná.

Prohlášení ES o shodě

Pouze pro evropské země

Společnost Makita prohlašuje, že následující zařízení:

Popis zařízení: Úhlová bruska

Č. modelu / typ: GA4030R, GA4530R, GA5030R

Vyhovuje následujícím evropským směrnicím:

2006/42/EC

Zařízení bylo vyrobeno v souladu s následující normou či normativními dokumenty: EN60745

Technická dokumentace dle 2006/42/EC je k dispozici na adrese:

Makita, Jan-Baptist Vinkstraat 2, 3070, Belgie
2.6.2015

Obecná bezpečnostní upozornění k elektrickému nářadí

VAROVÁNÍ: Přečtete si veškerá bezpečnostní upozornění a všechny pokyny. Zanedbání upozornění a pokynů může mít za následek úraz elektrickým proudem, vznik požáru nebo vážné zranění.

Všechna upozornění a pokyny si uschovejte pro budoucí potřebu.

Pojem „elektrické nářadí“ v upozorněních označuje elektrické nářadí, které se zapojuje do elektrické sítě, nebo elektrické nářadí využívající akumulátory.

Výstrahy k brusce

Obecné bezpečnostní výstrahy pro broušení, smirkování a kartáčování a rozbrušování:

- Toto elektrické nářadí je určeno k broušení, smirkování, kartáčování a rozbrušování. Přečtete si všechny bezpečnostní výstrahy i pokyny a prohlédněte si ilustrace a specifikace dodané k tomuto elektrickému nářadí. Nedodržení všech níže uvedených pokynů může vést k úrazu elektrickým proudem, požáru či vážnému zranění.**
- Toto elektrické nářadí se nedoporučuje používat k operacím, jako je leštění. Budete-li pomocí tohoto nářadí provádět práce, pro které není určeno, můžete se vystavit rizikům a možnosti poranění.**
- Nepoužívejte příslušenství, které není určeno speciálně pro toto nářadí a doporučeno jeho výrobcem. Pouhá možnost upevnění příslušenství na elektrické nářadí nezaručuje jeho bezpečnou funkci.**
- Jmenovitě otáčky příslušenství se musí nejméně rovnat maximálním otáčkám vyznačeným na elektrickém nářadí. Příslušenství pracující při vyšších než jmenovitých otáčkách se může roztrhnout a rozlétnout.**
- Vnější průměr a tloušťka příslušenství musí odpovídat jmenovitým hodnotám určeným pro dané elektrické nářadí. Příslušenství nesprávné velikosti nelze řádně chránit či kontrolovat.**
- Závit příslušenství musí odpovídat závitům vřetena brusky. U příslušenství montovaného použitím přírub musí upínací otvor příslušenství odpovídat rozměrům příruby. Příslušenství neodpovídající upevňovacímu mechanismu elektrického nářadí nebude vyvážené, způsobí nadměrné vibrace a může vyvolat ztrátu kontroly.**
- Nepoužívejte poškozené příslušenství. Před každým použitím zkontrolujte příslušenství; např. brusné kotouče, zda nevykazují trhliny nebo znečištění třískami, opěrnou podložku, zda nevykazuje trhliny, natržené nebo nadměrné opotřebení, nebo drátěný kartáč, zda neobsahuje uvolněné či popraskané dráty.**

Pokud jste elektrické nářadí nebo příslušenství upustili, ověřte, zda nedošlo ke škodám a případně poškozené příslušenství vyměňte. Po kontrole a instalaci příslušenství se postavte mimo rovinu rotujícího příslušenství (totéž platí pro přihlížející osoby) a nechte elektrické nářadí minutu běžet při maximálních otáčkách bez zatížení. Poškozené příslušenství se během této zkoušky obvykle rozpadne.

- Používejte osobní ochranné prostředky. Podle typu prováděné práce používejte obličejový štít nebo ochranné brýle. Podle potřeby používejte protiprachovou masku, ochranu sluchu, rukavice a pracovní zástěru, která je schopna zastavit malé kousky brusiva nebo části zpracovávaného dílu. Ochrana zraku musí odolávat odletujícímu materiálu vznikajícímu při různých činnostech. Protiprachová maska nebo respirátor musí filtrovat částice vznikající při prováděné práci. Dlouhodobé vystavení hluku vysoké intenzity může způsobit ztrátu sluchu.**
- Zajistěte, aby přihlížející osoby dodržovaly bezpečnou vzdálenost od místa provádění práce. Všechny osoby vstupující na pracoviště musí používat osobní ochranné prostředky. Úlomky dílu nebo roztrženého příslušenství mohou odletovat a způsobit zranění i ve větší vzdálenosti od pracoviště.**
- Při práci v místech, kde může dojít ke kontaktu řezacího příslušenství se skrytým elektrickým vedením nebo s vlastním napájecím kabelem, držte elektrické nářadí pouze za izolované části držadel. Nástroje z příslušenství mohou při kontaktu s vodičem pod napětím přenést proud do nechráněných částí nářadí a obsluha může utrpět úraz elektrickým proudem.**
- Napájecí kabel ved'te mimo otáčející se příslušenství. Při ztrátě kontroly nad nářadím může dojít k přezazení nebo zachycení kabelu a vtažení ruky či paže do otáčejícího se příslušenství.**
- Elektrické nářadí nikdy nepokládejte, dokud se příslušenství úplně nezastaví. Otáčející se příslušenství se může zachytit o povrch a způsobit ztrátu kontroly nad elektrickým nářadím.**
- Nářadí nikdy neuvádějte do chodu, pokud jej přenášíte v ruce po boku. Náhodný kontakt s otáčejícím se příslušenstvím by se vám mohl zachytit o oděv a přitáhnout vám příslušenství k tělu.**
- Pravidelně čistěte větrací otvory elektrického nářadí. Ventilátor motoru nasává dovnitř skříňné prach. Dojde-li k nadměrnému nahromadění kovového prachu, mohou vzniknout elektrická rizika.**
- Neprovazujte elektrické nářadí v blízkosti hořlavých materiálů. Odletující jiskry by mohly tyto materiály zapálit.**
- Nepoužívejte příslušenství vyžadující použití chladících kapalin. Použití vody nebo jiné chladící kapaliny může vést k úmrtí nebo úrazu elektrickým proudem.**

Zpětný ráz a související výstrahy

Zpětný ráz je náhla reakce na skřípnutí či zaseknutí otáčejícího se kotouče, opěrné podložky, kartáče nebo jiného příslušenství. Skřípnutí nebo zaseknutí způsobuje náhle zastavení otáčejícího se příslušenství, což vede k nekontrolovanému vrhnutí elektrického nářadí ve směru opačném ke směru otáčení příslušenství v místě zachycení.

Pokud například dojde k zaseknutí nebo skřípnutí brusného kotouče v obrobku, hrana kotouče vstupující do místa skřípnutí se může zakousnout do povrchu materiálu a to způsobí zvednutí kotouče nebo jeho vyhození. Tělísko může vyskočit směrem k obsluze nebo od ní podle toho, v jakém směru se pohybuje v místě skřípnutí. Za těchto podmínek může také dojít k roztržení brusných kotoučů. Zpětný ráz je důsledkem špatného použití a/nebo nesprávných pracovních postupů či podmínek. Lze se mu vyhnout přijetím odpovídajících opatření, která jsou uvedena níže.

1. **Elektrické nářadí pevně držte a zaujměte takový postoj těla a pozici rukou, abyste silovým zpětných rázů odolali. Vždy používejte pomocné držadlo, pokud je k dispozici, abyste získali maximální kontrolu nad zpětným rázem či reakci na točivý moment během uvádění do chodu.** Za předpokladu přijetí správných preventivních opatření může obsluha síly zpětných rázů a reakci na točivý moment zvládnout.
2. **Nikdy nesahejte do blízkosti rotujícího příslušenství.** Příslušenství může být odvrženo směrem k ruce.
3. **Nestůjte na místě, na které se elektrické nářadí přesune v případě zpětného rázu.** Zpětný ráz uvede zaseknuté nářadí do pohybu v opačném směru pohybu kotouče.
4. **Zvláště opatrní buďte při opracování rohů, ostrých hran, atd. Vyvarujte se naražení a sevření příslušenství.** Rohy a ostré hrany mají tendenci zachycovat otáčející se příslušenství, což vede ke ztrátě kontroly nebo zpětnému rázu.
5. **Nepřipojujte článkový nebo ozubený pilový kotouč.** Tyto kotouče často způsobují zpětné rázy a ztrátu kontroly.

Zvláštní bezpečnostní výstrahy pro broušení a rozbrušování:

1. **Používejte pouze kotouče doporučené pro dané elektrické nářadí a specifický chránič určený pro vybraný kotouč.** Kotouče, pro které není elektrické nářadí určeno, nelze odpovídajícím způsobem zabezpečit a představují proto riziko.
2. **Brusná plocha kotoučů s vypouklým středem musí být umístěna pod rovinou obruby chrániče.** Nesprávně namontovaný kotouč vyčnívající nad rovinu obruby chrániče nemůže být dostatečně chráněn.
3. **Chránič musí být k elektrickému nářadí bezpečně připevněn a vhodné ustaven k zajištění maximální bezpečnosti tak, aby byla směrem k obsluze vystavena co nejmenší část kotouče.** Chránič napomáhá chránit obsluhu před odletujícími úlomky rozbitého kotouče a nechtěným kontaktem s kotoučem či jiskrami, jež mohou zapálit oděv.
4. **Kotouče musí být použity pouze k doporučeným účelům. Příklad: Neprovádějte broušení bokem rozbrušovacího kotouče.** Rozbrušovací kotouče jsou určeny k obvodovému broušení. Působení bočních sil na tyto kotouče může způsobit jejich roztržení.
5. **Vždy používejte nepoškozené příruby, které mají správnou velikost a tvar odpovídající vybranému kotouči.** Správné příruby zajistí podepření kotouče a omezí možnost jeho roztržení. Příruby pro rozbrušovací kotouče se mohou lišit od přírub určených pro brusné kotouče.

6. **Nepoužívejte opotřebené kotouče z většího elektrického nářadí.** Kotouč určený pro větší elektrické nářadí není vhodný pro vyšší otáčky menšího nářadí a může se roztrhnout.

Doplňkové zvláštní bezpečnostní výstrahy pro broušení a rozbrušování:

1. **Zamezte „zaseknutí“ rozbrušovacího kotouče a nevyvíjejte na něj příliš velký tlak. Nepokoušejte se o provádění příliš hlubokých řezů.** Vyvinete-li na kotouč příliš velký tlak, zvýšíte jeho zatížení a náchylnost ke kroucení či ohýbání v řezu a tudíž i možnost zpětného rázu nebo roztržení kotouče.
2. **Nezaujímejte nevhodnou polohu v rovině a za rotujícím kotoučem.** Pokud se kotouč v místě operace pohybuje směrem od vašeho těla, může potenciální zpětný ráz vystřelit otáčející se kotouč spolu s elektrickým nářadím přímo na vás.
3. **Pokud kotouč zadrhne nebo přestíže z jakéhokoliv důvodu přerušíte řezání, vypněte nářadí a držte jej nehybně, dokud se kotouč úplně nezastaví. Nikdy se nepokoušejte vytažovat rozbrušovací kotouč z řezu, je-li kotouč v pohybu, protože by mohl dojít ke zpětnému rázu.** Zjistěte příčinu zadrhnutí kotouče a proveďte nápravná opatření.
4. **Neobnovujte řezání přímo v obrobku. Nechte kotouč dosáhnout plné rychlosti a potom jej opatrně vedte do řezu.** Spustíte-li kotouč v obrobku, může dojít k jeho uváznutí, vyskočení nebo ke zpětnému rázu.
5. **Desky a jakékoli nadměrné obrobky podepřete, abyste minimalizovali nebezpečí skřípnutí kotouče a zpětného rázu.** Rozměrné obrobky mívají tendenci prohýbat se vlastní vahou. Podpěry je nutno umístit pod díl v blízkosti linie řezu a u okrajů dílu, a to na obou stranách od kotouče.
6. **Při provádění „kapsovitých řezů“ do stávajících stěn či jiných uzavřených míst zachovávejte zvýšenou opatrnost.** Vyčnívající kotouč může říznout do plynového, vodovodního či elektrického vedení nebo do jiných předmětů a může dojít ke zpětnému rázu.

Zvláštní bezpečnostní výstrahy pro smirkování:

1. **Nepoužívejte smirkový papírový disk nadměrné velikosti. Při výběru smirkového papíru dodržujte údaje výrobce.** Smirkový papír přečínající přes brusný talíř může způsobit poranění a rovněž zablokování, roztržení disku a zpětný ráz.

Zvláštní bezpečnostní výstrahy pro práci s drátěnými kartáči:

1. **Nezapomeňte, že drátěný kartáč i během běžného používání ztrácí kousky drátu. Nepřetěžujte dráty příliš vysokým tlakem na kartáč.** Odletající kousky drátu mohou velmi lehce proniknout skrz tenký oděv a/nebo pokožku.
2. **Je-li při kartáčování doporučen chránič, zabraňte vzájemnému kontaktu chrániče a drátěného kotouče či kartáče.** Drátěný kotouč nebo kartáč může díky přítlaku a odstředivým silám zvětšit svůj průměr.

Další bezpečnostní výstrahy:

1. **Při používání brusných kotoučů s vypouklým středem používejte pouze kotouče vyztužené sklolaminátem.**

2. V této brusce NIKDY NEPOUŽÍVEJTE brusící kotouče miskovitého typu. Tato bruska není pro zmiňovaný typ kotoučů zkonstruována a používání podobných produktů může vést k vážným zraněním.
3. Dávejte pozor, aby nedošlo k poškození vřetene, příruby (zejména montážního povrchu) a pojistné matice. Poškození těchto dílů může vést k roztržení kotouče.
4. Před zapnutím spínače se přesvědčte, zda se tělísko nedotýká obrobku.
5. Před použitím nářadí na zpracovávaném obrobku jej nechejte na chvíli běžet. Sledujte, zda nevznikají vibrace nebo viklání, které by mohly signalizovat špatně nainstalované nebo nedostatečně vyvážené tělísko.
6. Při broušení používejte stanovený povrch tělíska.
7. Nenechávejte nářadí běžet bez dozoru. S nářadím pracujte, jen když je držíte v rukou.
8. Bezprostředně po ukončení práce se nářadí nedotýkejte; může dosahovat velmi vysokých teplot a popálit vám pokožku.
9. Dodržujte pokyny výrobce týkající se správné montáže a použití tělísek. Při manipulaci a skladování tělísek je nutno zachovávat opatrnost.
10. Nepoužívejte samostatná redukční pouzdra ani adaptéry k přizpůsobení brusných kotoučů s vakým otvorem.
11. Používejte pouze příruby určené pro toto nářadí.
12. U nářadí, které je určeno k montáži kotoučů se závitovaným otvorem, dbejte, aby byl závit kotouče dostatečně dlouhý vzhledem k délce vřetene.
13. Zkontrolujte, zda je obrobek řádně podepřen.
14. Nezapomeňte, že kotouč pokračuje v otáčení i po vypnutí nářadí.
15. Pokud jsou na pracovišti velmi vysoké teploty či vlhkost nebo je pracoviště znečištěno vodivým prachem, použijte k zajištění bezpečnosti obsluhy zkratový jistič (30 mA).
16. Nepoužívejte nářadí k opracovávání materiálů obsahujících azbest.
17. Používáte-li rozbrušovací kotouč, vždy pracujte s chráničem kotouče se směrem prachu, který je požadován směrnice.
18. Rozbrušovací disky nesmí být vystaveny žádnému příčnému tlaku.
19. Při práci nepoužívejte látkové pracovní rukavice. Vlákna z rukavic mohou vniknout do nářadí, což může způsobit poruchu nářadí.

TYTO POKYNY USCHOVEJTE.

VAROVÁNÍ: NEDOVOLTE, aby pohodlnost nebo pocit znalosti výrobku (získaný na základě předchozího použití) vedl k zanedbání dodržování bezpečnostních pravidel platných pro tento výrobek. **NESPRÁVNÉ POUŽÍVÁNÍ** či nedodržení bezpečnostních pravidel uvedených v tomto návodu k obsluze může způsobit vážné zranění.

POPIS FUNKCÍ

UPOZORNĚNÍ: Před nastavováním nářadí nebo kontrolou jeho funkce se vždy přesvědčte, že je vypnuté a vytažené ze zásuvky.

Zámek hřídele

Při instalaci a demontáži příslušenství lze zámek hřídele použít k zamezení otáčení vřetena.

► **Obr.1:** 1. Zámek hřídele

POZOR: Nikdy neaktivujte zámek hřídele, pokud se pohybuje vřeteno. Mohlo by dojít k poškození nářadí.

Zapínání

UPOZORNĚNÍ: Před připojením nářadí k elektrické síti vždy zkontrolujte, zda posuvný spínač funguje správně a zda se po stisknutí zadní části posuvného spínače vrací do vypnuté polohy.

UPOZORNĚNÍ: K zajištění pohodlí obsluhy při delším používání lze přepínač zajistit v zapnuté poloze. Při zajišťování nářadí v zapnuté poloze buďte opatrní a nářadí pevně držte.

Nářadí se spouští přesunutím posuvného spínače do polohy „I (ZAP.)“ zatlačením na jeho zadní stranu. Pokud chcete pracovat nepřetržitě, zajištěte spínač stisknutím jeho přední části.

Chcete-li nářadí vypnout, stiskněte zadní část posuvného spínače a přesuňte jej do polohy „O (VYP.)“.

► **Obr.2:** 1. Posuvný spínač

Ochrana proti nechtěnému opakovanému spuštění

Nářadí s odjištěným spínačem se nespustí i přesto, že je zapojeno do zásuvky.

Ochranu proti nechtěnému opakovanému spuštění zrušíte přesunutím spínače do vypnuté polohy.

POZNÁMKA: Před opětovným spuštěním nářadí počkejte sekundu a déle, než přestane být aktivní ochrana proti nechtěnému opakovanému spuštění.

POZNÁMKA: Jestliže je nářadí přetíženo a jeho teplota dosáhne určité úrovně, nářadí se může automaticky vypnout. V takovém případě nechte nářadí před opětovným zapnutím vychladnout.

Funkce měkkého spuštění

Funkce měkkého spuštění omezí ráz při spuštění.

SESTAVENÍ

UPOZORNĚNÍ: Než začnete na nářadí provádět jakékoli práce, vždy se předtím přesvědčte, že je vypnuté a vytažené ze zásuvky.

Instalace boční rukojeti (držadla)

⚠ UPOZORNĚNÍ: Dávejte pozor, aby boční rukojeť byla vždy před prací pevně nainstalovaná.

Pevně našroubujte boční rukojeť na místo nářadí, které je ilustrováno na obrázku.

► Obr.3

Nasazení či sejmutí chrániče kotouče (pro kotouče s vypouklým středem, lamelové disky, brousící kotouče, kotoučové drátěné kartáče / rozbrušovací kotouče, diamantové kotouče)

⚠ VAROVÁNÍ: Při použití kotouče s vypouklým středem, lamelového disku, brousícího kotouče nebo kotoučového drátěného kartáče musí být na nářadí nasazen chránič kotouče tak, aby byla uzavřená strana chrániče vždy nasměrována k obsluze.

⚠ VAROVÁNÍ: Při použití rozbrušovacího kotouče / diamantového kotouče se ujistěte, zda používáte pouze speciální chránič kotouče zkonstruovaný k použití s rozbrušovacími kotouči.

(V některých evropských zemích lze při práci s diamantovým kotoučem použít obvyklý chránič. (V některých evropských zemích lze při práci s diamantovým kotoučem použít obvyklý chránič. Dodržujte směrnice platné ve vaší zemi.)

Nářadí s chráničem kotouče a závěrným šroubem

Namontujte chránič kotouče tak, aby byly výstupky na obruči chrániče kotouče vyrovnány s výřezy na ložiskové skříni. Chránič kotouče pak natočte do úhlu, v němž bude podle prováděné práce chránit obsluhu. Dbejte, aby byl pevně dotažen šroub. Při demontáži chrániče kotouče použijte opačný postup montáže.

► **Obr.4:** 1. Chránič kotouče 2. Ložisková skříň 3. Šroub

Nářadí s chráničem kotouče a upínací páčkou

Povolte šroub a potom ve směru šipky potáhněte za páčku. Namontujte chránič kotouče tak, aby byly výstupky na obruči chrániče kotouče vyrovnány s výřezy na ložiskové skříni. Chránič kotouče pak natočte do úhlu, v němž bude podle prováděné práce chránit obsluhu.

► **Obr.5:** 1. Chránič kotouče 2. Ložisková skříň 3. Šroub 4. Páčka

Potáhněte za páčku ve směru šipky. Potom chránič kotouče upevněte dotažením šroubu. Dbejte, aby byl pevně dotažen šroub. Touto páčkou lze upravovat úhel nastavení chrániče kotouče.

► **Obr.6:** 1. Šroub 2. Páčka

Při demontáži chrániče kotouče použijte opačný postup montáže.

Montáž a demontáž kotouče s vypouklým středem nebo lamelového disku

Volitelné příslušenství

⚠ VAROVÁNÍ: Při použití kotouče s vypouklým středem či lamelového disku musí být na nářadí nasazen chránič kotouče tak, aby byla uzavřená strana chrániče vždy nasměrována k obsluze.

⚠ UPOZORNĚNÍ: Dbejte, aby plocha pro montáž vnitřní příruby přesně zapadla do vnitřního otvoru kotouče s vypouklým středem / lamelového disku. Nasazení vnitřní příruby na chybnou stranu může způsobit nebezpečné vibrace.

Namontujte na vřeteno vnitřní přírubu. Dbejte, aby část vnitřní příruby s výstupky dosedla na přímý díl v dolní části vřetena.

Kotouč s vypouklým středem / lamelový disk nasadte na vnitřní přírubu a na vřeteno našroubujte pojistnou matici.

► **Obr.7:** 1. Pojistná matice 2. Kotouč s vypouklým středem 3. Vnitřní příruba 4. Plocha pro montáž

Při utahování pojistné matice pevně stiskněte zámek hřídele tak, aby se vřeteno nemohlo otáčet, a poté ji pomocí klíče na pojistné matice pevně utáhněte ve směru hodinových ručiček.

► **Obr.8:** 1. Klíč na pojistné matice 2. Zámek hřídele

Při demontáži kotouče použijte opačný postup montáže.

Příruba Super

Volitelné příslušenství

Pouze pro nářadí se závětno vřetena M14.

Modely označené písmenem F jsou standardně vybaveny přírubou Super. V porovnání s běžným typem je k povolení pojistné matice zapotřebí jen 1/3 námahy.

Nasazení a sejmutí brousícího kotouče

Volitelné příslušenství

⚠ VAROVÁNÍ: Při nasazení brousícího kotouče vždy používejte dodaný chránič. Kotouč se může během provozu rozlétnout a chránič tak napomáhá omezit nebezpečí zranění.

► **Obr.9:** 1. Pojistná matice 2. Brousící kotouč 3. Opěrná podložka 4. Vnitřní příruba

Postupujte podle pokynů pro kotouče s vypouklým středem a také použijte opěrnou podložku ke kotouči. Pořadí montáže naleznete na stránce věnované příslušenství v tomto návodu.

Instalace a demontáž brusného disku

Volitelné příslušenství

► **Obr.10:** 1. Pojistná matice pro smirkování 2. brusný disk 3. Pryžová podložka

1. Namontujte na vřeteno pryžovou podložku.
2. Na pryžovou podložku nasadte disk a na vřeteno našroubujte pojistnou matici pro smirkování.
3. Vřeteno přidržete zámkem hřídele a klíčem na pojistné matice pevně utáhněte ve směru hodinových ručiček pojistnou matici pro smirkování.

Při demontáži disku použijte opačný postup montáže.

POZNÁMKA: Použijte příslušenství brusky uvedené v této příručce. Příslušenství je nutno zakoupit samostatně.

PRÁCE S NÁŘADÍM

VAROVÁNÍ: Na nářadí by nikdy neměl být vyvíjen příliš velký tlak. Dostatečný tlak je zajištěn hmotností samotného nářadí. Příliš velký tlak by mohl vést k nebezpečnému roztržení kotouče.

VAROVÁNÍ: Pokud nářadí při broušení upustíte, **VŽDY vyměňte kotouč.**

VAROVÁNÍ: NIKDY s brusným diskem nebo kotoučem nenarážejte do zpracovávaného materiálu.

VAROVÁNÍ: Vyvarujte se narážení a zaseknutí kotouče, a to zejména při opracování rohů, ostrých hran, apod. Mohlo by dojít ke ztrátě kontroly a zpětnému rázu.

VAROVÁNÍ: NIKDY nepoužívejte nářadí s řeznými kotouči na dřevu ani jinými pilovými kotouči. Při použití takových kotoučů na brusce často dochází k rázům a ztrátě kontroly, ze které vyplývají zranění.

UPOZORNĚNÍ: Nikdy nářadí nezapínejte, pokud je v kontaktu se zpracovávaným dílem. Mohlo by dojít ke zranění.

UPOZORNĚNÍ: Při práci vždy používejte ochranné brýle nebo obličejový štít.

UPOZORNĚNÍ: Po ukončení práce vždy nářadí vypněte a před položením vždy vyčkejte, dokud se kotouč úplně nezastaví.

UPOZORNĚNÍ: Nářadí **VŽDY** pevně držte jednou rukou na skříní a druhou rukou na boční rukojeti (držadle).

Broušení a smirkování

► Obr.11

Zapněte nářadí a přiložte kotouč nebo disk na zpracovávaný díl.

Obecně udržujte okraj kotouče nebo disku pod úhlem přibližně 15° k povrchu dílu.

Při záběhu nového kotouče nepracujte s bruskou ve směru dopředu. V opačném případě se bruska může zaříznot do zpracovávaného materiálu. Jakmile dojde provozem k zaoblení okraje kotouče, lze s kotoučem pracovat ve směru dopředu i dozadu.

Provoz s rozbrušovací kotoučem / diamantovým kotoučem

Volitelné příslušenství

VAROVÁNÍ: Při použití rozbrušovacího kotouče / diamantového kotouče se ujistěte, zda používáte pouze speciální chránič kotouče zkonstruovaný k použití s rozbrušovacími kotouči.

(V některých evropských zemích lze při práci s diamantovým kotoučem použít obvyklý chránič. (V některých evropských zemích lze při práci s diamantovým kotoučem použít obvyklý chránič. Dodržujte směrnice platné ve vaší zemi.)

VAROVÁNÍ: NIKDY nepoužívejte rozbrušovací kotouč k bočnímu broušení.

VAROVÁNÍ: Zamezte zaseknutí kotouče a nevyvíjejte na něj přílišný tlak. Nepokoušejte se o provádění příliš hlubokých řezů. Vyvinete-li na kotouč příliš velký tlak, zvyšuje se jeho zatížení a náchylnost ke kroucení nebo ohybu v řezu a tudíž možnost zpětného rázu nebo roztržení kotouče.

VAROVÁNÍ: Nezačínajte řezat s kotoučem v obrobku. Nechte kotouč dosáhnout plných otáček a pak jej opatrně vedte do řezu: posouvajte nářadí vpřed přes povrch obrobku. Spustíte-li kotouč v obrobku, může dojít k jeho uváznutí, vyskočení nebo zpětnému rázu.

VAROVÁNÍ: Během práce nikdy neměňte úhel kotouče. Vyvinete-li na rozbrušovací kotouč boční tlak (jako při broušení), dojde k popraskání a roztržení kotouče a vážnému zranění.

VAROVÁNÍ: S diamantovým kotoučem je třeba řezat do opracovávaného materiálu **svleče**.

- **Obr.12:** 1. Pojistná matice 2. Rozbrušovací kotouč / diamantový kotouč 3. Vnitřní příruba 4. Chránič kotouče pro rozbrušovací kotouče / diamantové kotouče

Při instalaci postupujte podle pokynů pro kotouče s vypouklým středem.

Směr montáže pojistné matice a vnitřní příruba se liší podle typu a tloušťky kotouče.

Viz následující obrázky.

Pro model 100 mm (4")

Při montáži rozbrušovacího kotouče:

- **Obr.13:** 1. Pojistná matice 2. Rozbrušovací kotouč (s tloušťkou menší než 4 mm (5/32")) 3. Rozbrušovací kotouč (s tloušťkou 4 mm (5/32") nebo větší) 4. Vnitřní příruba

Při montáži diamantového kotouče:

- **Obr.14:** 1. Pojistná matice 2. Diamantový kotouč (s tloušťkou menší než 4 mm (5/32")) 3. Diamantový kotouč (s tloušťkou 4 mm (5/32") nebo větší) 4. Vnitřní příruba

Pro model 115 mm (4 – 1/2") / 125 mm (5")

Při montáži rozbrušovacího kotouče:

- **Obr.15:** 1. Pojistná matice 2. Rozbrušovací kotouč (s tloušťkou menší než 4 mm (5/32"))
3. Rozbrušovací kotouč (s tloušťkou 4 mm (5/32")) nebo větší 4. Vnitřní příruba

Při montáži diamantového kotouče:

- **Obr.16:** 1. Pojistná matice 2. Diamantový kotouč (s tloušťkou menší než 4 mm (5/32"))
3. Diamantový kotouč (s tloušťkou 4 mm (5/32")) nebo větší 4. Vnitřní příruba

Provoz s hrcovým drátěným kartáčem

Volitelné příslušenství

▲ UPOZORNĚNÍ: Spuštěním nářadí naprázdno zkontrolujte funkci kartáče a ujistěte se přitom, zda před ním či v jeho blízkosti nejsou žádné osoby.

▲ UPOZORNĚNÍ: Nepoužívejte poškozené a nevyvážené kartáče. Používání poškozeného kartáče může zvýšit nebezpečí zranění kontaktem s dráty roztrženého kartáče.

- **Obr.17:** 1. Hrcový drátěný kartáč

Nářadí odpojte ze zásuvky a položte jej kotoučem nahoru, abyste získali snadný přístup k vřetenu. Z nářadí sejměte veškeré příslušenství. Na vřeteno nasadte hrcový drátěný kartáč a dotáhněte jej dodaným klíčem.

POZOR: Nevyvíjejte příliš silný tlak, jelikož by mohlo dojít při používání kartáče k ohnutí drátů. Mohlo by dojít k předčasnému zničení.

Provoz s kotoučovým drátěným kartáčem

Volitelné příslušenství

▲ UPOZORNĚNÍ: Spuštěním nářadí naprázdno zkontrolujte funkci kotoučového drátěného kartáče a ujistěte se přitom, zda před ním či v jeho blízkosti nejsou žádné osoby.

▲ UPOZORNĚNÍ: Nepoužívejte poškozené a nevyvážené kotoučové drátěné kartáče. Používání poškozeného kotoučového drátěného kartáče může zvýšit nebezpečí zranění kontaktem s roztrženým kartáčem.

▲ UPOZORNĚNÍ: Při práci s kotoučovým drátěným kartáčem VŽDY používejte chránič – ujistěte se přitom, zda se průměr kotouče do chrániče vejde. Kotouč se může během provozu rozlétnout a chránič tak napomáhá omezit nebezpečí zranění.

- **Obr.18:** 1. Kotoučový drátěný kartáč

Nářadí odpojte ze zásuvky a položte jej kotoučem nahoru, abyste získali snadný přístup k vřetenu. Z nářadí sejměte veškeré příslušenství. Na vřeteno našroubujte drátěný kartáč a dotáhněte jej klíčem.

POZOR: Nevyvíjejte příliš silný tlak, jelikož by mohlo dojít při používání kotoučového drátěného kartáče k ohnutí drátů. Mohlo by dojít k předčasnému zničení.

ÚDRŽBA

▲ UPOZORNĚNÍ: Než začnete provádět kontrolu nebo údržbu nářadí, vždy se přesvědčte, že je vypnuté a vytažené ze zásuvky.

POZOR: Nikdy nepoužívejte benzín, benzen, ředidlo, alkohol či podobné prostředky. Mohlo by tak dojít ke změnám barvy, deformacím či vzniku prasklin.

Čištění větracích otvorů

Nářadí a větrací otvory je nutno udržovat v čistotě. Větrací otvory nářadí čistěte pravidelně nebo kdykoliv dojde k jejich zablokování.

- **Obr.19:** 1. Výfukový otvor 2. Sací otvor

K zachování BEZPEČNOSTI a SPOLEHLIVOSTI výrobku musí být opravy a veškerá další údržba či seřizování prováděny autorizovanými nebo továrními servisními středisky společnosti Makita s využitím náhradních dílů Makita.

VOLITELNÉ PŘÍSLUŠENSTVÍ

⚠ UPOZORNĚNÍ: Pro nářadí Makita popsané v tomto návodu doporučujeme používat následující příslušenství a nástavce. Při použití jiného příslušenství či nástavců může hrozit nebezpečí zranění osob. Příslušenství lze používat pouze pro stanovené účely.

Potřebujete-li bližší informace ohledně tohoto příslušenství, obraťte se na místní servisní středisko společnosti Makita.

► Obr.20

-	Model 100 mm (4")	Model 115 mm (4 - 1/2")	Model 125 mm (5")
1	Rukojeť 36		
2	Chránič kotouče (pro brusný kotouč)		
3	Vnitřní příruba	Vnitřní příruba / příruba Super	
4	Kotouč s vypouklým středem / lamelový disk		
5	Pojistná matice		
6	Opěrná podložka		
7	Brousící kotouč		
8	Pryžová podložka 76	Pryžová podložka 100	Pryžová podložka 115
9	brusný disk		
10	Pojistná matice pro smirkování		
11	Kotoučový drátěný kartáč		
12	Hrnčový drátěný kartáč		
13	Chránič kotouče (pro rozbrušovací kotouč) *1		
14	Rozbrušovací kotouč / diamantový kotouč		
-	Klíč na pojistné matice		

POZNÁMKA: *1 V některých evropských zemích lze při použití diamantových kotoučů použít obvyklý chránič namísto speciálního chrániče zakrývajícího obě strany kotouče. Dodržujte směrnice platné ve vaší zemi.

POZNÁMKA: Některé položky seznamu mohou být k nářadí přibaleny jako standardní příslušenství. Přibalené příslušenství se může v různých zemích lišit.

ТЕХНІЧНІ ХАРАКТЕРИСТИКИ

Модель:	GA4030R	GA4530R	GA5030R
Діаметр круга	100мм (4")	115мм (4-1/2")	125мм (5")
Макс. товщина круга	6,4мм	7,2мм	
Різьба шпинделя	M10	M14 або 5/8" (запечити від країни продажу)	
Номінальна швидкість (n)	11 000хв ⁻¹		
Загальна довжина	266мм		
Маса нетто	1,7кг	1,8кг	
Клас безпеки	II/II		

- Оскільки наша програма наукових досліджень і розробок триває безперервно, наведені тут технічні характеристики можуть бути змінені без попередження.
- У різних країнах технічні характеристики можуть бути різними.
- Маса відповідно до EPTA-Procedure 01/2003

Призначення

Інструмент призначено для шліфування абразивним кругом/диском, шліфування абразивним папером та різання металевих і мінеральних матеріалів без використання води.

Джерело живлення

Інструмент можна підключати лише до джерела живлення, що має напругу, зазначену в таблиці із заводськими характеристиками, і він може працювати лише від однофазного джерела змінного струму. Він має подвійну ізоляцію, а отже може також підключатися до розеток без лінії заземлення.

Шум

Рівень шуму за шкалою А в типовому виконанні, визначений відповідно до стандарту EN60745:
Рівень звукового тиску (L_{pA}): 85 дБ (А)
Рівень звукової потужності (L_{WA}): 96 дБ (А)
Похибка (К): 3 дБ (А)

▲ ПОПЕРЕДЖЕННЯ: Користуйтеся засобами захисту органів слуху.

Вібрація

Загальна величина вібрації (векторна сума трьох напрямків) визначена згідно з EN60745:

Модель GA4030R

Режим роботи: шліфування поверхню
Розповсюдження вібрації ($a_{h,AG}$): 7,0 м/с²
Похибка (К): 1,5 м/с²

Режим роботи: шліфування диском
Вібрація ($a_{h,DS}$): 2,5 м/с² або менше
Похибка (К): 1,5 м/с²

Модель GA4530R

Режим роботи: шліфування поверхню
Розповсюдження вібрації ($a_{h,AG}$): 7,5 м/с²
Похибка (К): 1,5 м/с²

Режим роботи: шліфування диском
Вібрація ($a_{h,DS}$): 2,5 м/с² або менше
Похибка (К): 1,5 м/с²

Модель GA5030R

Режим роботи: шліфування поверхню
Розповсюдження вібрації ($a_{h,AG}$): 8,5 м/с²
Похибка (К): 1,5 м/с²

Режим роботи: шліфування диском
Вібрація ($a_{h,DS}$): 2,5 м/с² або менше
Похибка (К): 1,5 м/с²

ПРИМІТКА: Заявлене значення вібрації було виміряно відповідно до стандартних методів тестування та може використовуватися для порівняння одного інструмента з іншим.

ПРИМІТКА: Заявлене значення вібрації може також використовуватися для попередньої оцінки впливу.

▲ ПОПЕРЕДЖЕННЯ: Залежно від умов використання вібрація під час фактичної роботи електроінструмента може відрізнитися від заявленого значення вібрації.

▲ ПОПЕРЕДЖЕННЯ: Забезпечте належні запобіжні заходи для захисту оператора, що відповідатимуть умовам використання інструмента (слід брати до уваги всі складові робочого циклу, такі як час, коли інструмент вимкнено та коли він починає працювати на холостому ході під час запуску).

▲ ПОПЕРЕДЖЕННЯ: Заявлене значення вібрації відноситься до основних операцій, що виконуються за допомогою електроінструмента. Однак у разі використання інструмента з іншою метою значення вібрації може відрізнитися.

Декларація про відповідність стандартам ЄС

Тільки для країн Європи

Компанія Makita наголошує на тому, що обладнання: Позначення обладнання: Кутова шліфувальна машина № моделі / тип: GA4030R, GA4530R, GA5030R Відповідає таким європейським директивам: 2006/42/EC

Обладнання виготовлене відповідно до таких стандартів або стандартизованих документів: EN60745
Технічну інформацію відповідно до 2006/42/EC можна отримати:
Makita, Jan-Baptist Vinkstraat 2, 3070, Belgium
(Бельгія)
2.6.2015



Ясуші Фукая
Директор
Makita, Jan-Baptist Vinkstraat 2, 3070, Belgium
(Бельгія)

Загальні застереження щодо техніки безпеки при роботі з електроінструментами

⚠ ПОПЕРЕДЖЕННЯ: Прочитайте усі застереження стосовно техніки безпеки та всі інструкції. Недотримання попереджень та інструкцій може призвести до ураження електричним струмом, до виникнення пожежі та/або до отримання серйозних травм.

Збережіть усі інструкції з техніки безпеки та експлуатації на майбутнє.

Термін «електроінструмент», зазначений у інструкції з техніки безпеки, стосується електроінструмента, який функціонує від електромережі (електроінструмент з кабелем живлення), або електроінструмента з живленням від батареї (безпроводний електроінструмент).

Попередження про необхідну обережність під час роботи з шліфувальною машиною

Загальні попередження про необхідну обережність для операцій шліфування абразивним кругом/диском, шліфування абразивним папером, зачищення металевою щіткою та абразивного відрізання:

1. Цей електроінструмент призначено для шліфування абразивним кругом/диском, шліфування абразивним папером, зачищення металевою щіткою або відрізання. Уважно ознайомтеся з усіма попередженнями про необхідну обережність, інструкціями, ілюстраціями та технічними характеристиками, що стосуються цього електроінструмента. Невиконання цих інструкцій може призвести до ураження електричним струмом, пожежі та/або важких травм.
2. Цей електроінструмент не рекомендовано використовувати для полірування. Використання електроінструмента не за призначенням може спричинити небезпечну ситуацію та призвести до отримання травм.
3. Заборонено використовувати приладдя, які спеціально не призначені для цього інструмента та не рекомендовані виробником. Навіть якщо приладдя можна приєднати до інструмента, це не гарантує безпечної експлуатації.

4. **Номинальна швидкість приладдя повинна щонайменше дорівнювати максимальній швидкості, яка вказана на електроінструменті.** Приладдя, що обертається зі швидкістю, більшою за номінальну, може зламатися та відскочити.
5. **Зовнішній діаметр та товщина приладдя повинні бути в межах номінальних характеристик електроінструмента.** Приладдя неналежних розмірів не можна захистити або контролювати належним чином.
6. **Різьба на кріпленні приладдя повинна відповідати різьбі на шпинделі шліфувальної машини.** Центровий отвір приладдя, що встановлюється на фланець, повинен відповідати установлюваному діаметру фланця. Приладдя, що не підходить до кріплення електроінструмента, зазнає розбалансування і надмірної вібрації та може спричинити втрату контролю.
7. **Не можна використовувати пошкоджене приладдя.** Перед кожним використанням слід перевірити приладдя, як-от абразивні круги, на наявність зазублин і тріщин, підкладку — на наявність тріщин або зношення, а металеві щітки — на наявність послаблених або тріснутих дротів. У разі падіння електроінструмента або приладдя необхідно оглянути виріб на наявність пошкоджень або встановити неушкоджене приладдя. Після огляду та встановлення приладдя займіть таке положення, щоб ви та сторонні особи перебували поза площиною обертання приладдя, запустіть інструмент та дайте йому пропрацювати на максимальній швидкості без навантаження протягом однієї хвилини. Під час такого пробного запуску пошкоджене приладдя зазвичай розпадається на частини.
8. **Використовуйте засоби індивідуального захисту.** Відповідно до ділянки застосування необхідно користуватися захисним щитком або захисними окулярами. За необхідності носіть пілзахисну маску, засоби захисту органів слуху, рукавиці та робочий фартух, які здатні затримувати дрібні частинки абразивного матеріалу або деталі. Засоби захисту органів зору повинні бути здатними затримувати уламки, що утворюються під час виконання різних операцій. Пілзахисна маска або респіратор повинні фільтрувати частинки, що утворюються під час роботи. Тривала дія сильного шуму може призвести до втрати слуху.
9. **Сторонні особи повинні знаходитися на безпечній відстані від місця роботи.** Кожна особа, яка входить до робочої зони, має носити засоби індивідуального захисту. Частинки деталі або уламки приладдя можуть відлетіти за межі безпосередньої робочої зони та спричинити травмування.
10. **Тримайте електроінструмент тільки за призначені для цього ізольовані поверхні під час виконання дії, за якої ріжучий інструмент може зачепити приховану електропроводку або власний шнур.** Торкання ріжучим приладдям дроту під напругою може призвести до передавання напруги до оголених металевих частин інструмента та до ураження оператора електричним струмом.

11. **Шнур має знаходитися на відстані від приладдя, що обертається.** Якщо втратити контроль, шнур може бути перерізано або пошкоджено, і руку може бути затягнуто до приладдя, що обертається.
 12. **Не можна відкладати електроінструмент, поки приладдя повністю не зупиниться.** Приладдя, що обертається, може зачепити поверхню та вирвати електроінструмент з-під контролю.
 13. **Не можна працювати з електроінструментом, тримаючи його поряд із собою.** У результаті випадкового контакту приладдя, що обертається, може зачепити одяг та призвести до руху приладдя в напрямку тіла.
 14. **Регулярно очищуйте вентиляційні отвори електроінструмента.** Вентилятор двигуна втягує пил усередину кожуха, а надмірне скупчення металевого порошку створює ризик ураження електричним струмом.
 15. **Не можна працювати з електроінструментом поблизу легкозаймистих матеріалів.** Ці матеріали можуть спалахнути від іскри.
 16. **Не можна використовувати приладдя, що потребує застосування охолоджувальних рідин.** Використання води або інших охолоджувальних рідин може призвести до ураження електричним струмом.
4. **Необхідна особлива обережність під час обробки кутів, гострих країв тощо.** Уникайте відскоків та чіплення приладдя. Куті, гострі краї або відскоки призводять до чіплення приладдя, що обертається, спричиняючи втрату контролю та віддачу.
 5. **Заборонено прикріплювати диск ланцюгової пили для різання по дереву або диск зубчастої пили.** Такі диски часто спричиняють віддачу та втрату контролю.

Спеціальні попередження про необхідну обережність під час шліфування абразивним кругом та абразивного відрізання:

1. **Використовуйте тільки типи кругів, які рекомендовано для цього електроінструмента, а також спеціальний захисний кожух, призначений для обраного круга.** Круги, для роботи з якими електроінструмент не призначено, не можна надійно закрити захисним кожухом, тому вони становлять небезпеку.
2. **Шліфувальну поверхню кругів із загльбленим центром необхідно встановити під площиною кромки захисного кожуха.** Неправильно встановлений круг, який виступає за площину кромки захисного кожуха, не можна закрити належним чином.
3. **Захисний кожух необхідно надійно прикріпити до електроінструмента та розташувати для забезпечення максимальної безпеки, щоб круг був якомога менше відкритим у напрямку оператора.** Кожух захищає оператора від уламків зламаного круга, від випадкового контакту з кругом та від іскор, через які може зайнятися одяг.
4. **Круги необхідно використовувати тільки за рекомендованим призначенням.** Наприклад, не можна шліфувати бічною стороною відрізного круга. Абразивні відрізни круги призначені для шліфування периферією круга; у разі докладання бічних зусиль до цих кругів вони можуть розколотися.
5. **Обов'язково використовуйте неушкоджені фланці кругів, розмір та форма яких відповідають обраному кругу.** Правильно підібрані фланці добре підтримують круг і таким чином зменшують імовірність його поломки. Фланці для відрізних кругів можуть відрізнятись від фланців для шліфувальних кругів.
6. **Не можна використовувати зношені круги від більших електроінструментів.** Круг, призначений для більшого електроінструмента, не підходить до вищої швидкості меншого інструмента та може розірватися.

Додаткові спеціальні попередження про необхідну обережність під час абразивного відрізання:

- Віддача та відповідні попередження**
Віддача — це раптова реакція на защемлення або чіплення круга, що обертається, підкладки, щітки або будь-якого іншого приладдя. Защемлення або чіплення призводить до швидкої зупинки приладдя, що обертається, і це в свою чергу спричиняє неконтрольований рух електроінструмента у напрямку, протилежному до напрямку обертання приладдя у місці заклинювання. Наприклад, якщо абразивний круг защемлений або зачеплений деталлю, край круга, що входить до місця защемлення, може увійти в поверхню матеріалу, що призведе до відскоку круга або віддачі. Круг може відскочити в напрямку оператора або від нього; це залежить від напрямку руху круга в місці защемлення. За таких умов абразивні круги можуть зламатися. Причинами віддачі є неправильне користування електроінструментом та/або неправильні умови чи порядок експлуатації; її можна уникнути, вживши запобіжних заходів, зазначених нижче.
1. **Міцно тримайте електроінструмент та займіть таке положення, яке дозволить вам опиратися силі віддачі.** Обов'язково користуйтеся допоміжною рукою (за наявності), щоб збільшити до максимуму контроль за віддачею або реакцією від крутного моменту під час пуску. Якщо вжити всіх запобіжних заходів, оператор зможе контролювати реакцію крутного моменту або силу віддачі.
 2. **У жодному разі не можна тримати руку біля приладдя, що обертається.** Приладдя може під час віддачі травмувати руку.
 3. **Не можна розташовувати тіло в зоні, у яку рухатиметься інструмент під час віддачі.** Віддача призведе до штовхання інструмента у місці торкання круга та робочої деталі в напрямку, протилежному напрямку обертання круга.

1. **Не можна «заклинювати» відрізний круг або прикладати надмірний тиск.** Не намагайтеся зробити розріз надмірної глибини. Надмірний тиск на круг збільшує навантаження та схильність до перекошування або заклинювання круга у розрізі, а також створює можливість віддачі або поломки круга.
2. **Не можна знаходитися на одній лінії з кругом або позаду круга, що обертається.** Коли під час роботи круг рухається від вас, то можлива віддача може відштовхнути круг, що обертається, та інструмент прямо у ваш бік.

3. Якщо круг застрягне або різання буде перервано з будь-якої причини, вимкніть електроінструмент та потримайте його нерухомо до повної зупинки круга. У жодному разі не намагайтеся витягти відрізний круг із розрізу, поки він рухається; недотримання цієї вимоги може призвести до віддачі. Огляньте круг та вживіть необхідних заходів, щоб усунути причину його заклинювання.
4. Заборонено заново починати операцію різання, коли круг знаходиться в робочій деталі. Спочатку круг повинен набрати повної швидкості, а потім його слід обережно знову ввести у проріз. Якщо електроінструмент перезапустити, коли круг знаходиться в робочій деталі, круг може застрягти, спінутися або спричинити віддачу.
5. Необхідно підтримувати панелі або будь-які деталі великого розміру, щоб мінімізувати ризик заземлення круга або виникнення віддачі. Великі робочі деталі зазвичай прогинаються під власною вагою. Опори необхідно розташовувати під деталлю поблизу лінії різання та поблизу краю робочої деталі з обох боків круга.
6. Необхідна особлива обережність під час вирізання виїмок в наявних стінах або інших невидимих зонах. Виступаючий круг може зачепити газо- або водопровід, електропроводку або предмети, що можуть спричинити віддачу.

Спеціальні попередження про необхідну обережність під час шліфування абразивним папером:

1. Заборонено використовувати папір для шліфувального диска завеликого розміру. Вибираючи абразивний папір, дотримуйтеся рекомендацій виробника. Завеликий абразивний папір, що виступає за межі шліфувальної підкладки, становить небезпеку поранення та може призвести до чіплення, задирання диска або до віддачі.

Спеціальні попередження про необхідну обережність під час зачищення металеву щіткою:

1. Пам'ятайте, що від щітки відлітають уламки дроту, навіть під час звичайної роботи. Не перенапружуйте дріт, прикладаючи надмірне навантаження до щітки. Уламки дроту можуть легко пробити легкий одяг та/або шкіру.
2. Якщо під час зачищення металеву щіткою рекомендовано використовувати захисний кожух, не допускайте контакту щітки та кожуха. Під дією робочого навантаження та відцентрових сил діаметр щітки або дискової дротяної щітки може збільшитися.

Додаткові попередження про необхідну обережність:

1. У разі використання шліфувальних кругів із заглибленим центром використовуйте лише круги, армовані скловолокном.
2. У ЖОДНОМУ РАЗІ НЕ ВИКОРИСТОВУЙТЕ з цією шліфувальною машиною чашоподібні шліфувальні круги для роботи по каменю. Ця шліфувальна машина не призначена для використання кругів такого типу, і таке використання виробу може призвести до важких травм.

3. Будьте обережні, щоб не пошкодити шпиндель, фланець (особливо поверхню встановлення) або контргайку. Пошкодження цих деталей може призвести до поломки круга.
4. Перед увімкненням інструмента переконайтеся, що круг не торкається деталі.
5. Перед початком використання інструмента запустіть його та дайте попрацювати йому деякий час. Звертайте увагу на вібрацію або нерівний хід — це може вказувати на незадовільне встановлення або балансування круга.
6. Використовуйте зазначену поверхню круга для шліфування.
7. Не залишайте без нагляду інструмент, який працює. Працюйте з інструментом, тільки тримаючи його в руках.
8. Не торкайтеся деталі одразу після обробки — вона може бути дуже гарячою та спричинити опік шкіри.
9. Дотримуйтеся інструкцій виробника щодо правильного встановлення та використання круга. Поводитися з кругами та зберігати їх необхідно з належною обережністю.
10. Не використовуйте окремі перехідні втулки або адаптери для прикріплення шліфувальних кругів з отворами великого діаметра.
11. Використовуйте тільки фланці, призначені для цього інструмента.
12. При використанні інструментів, призначених для встановлення кругів із різьбовим отвором, необхідно, щоб довжина різьби круга відповідала довжині шпинделя.
13. Перевірте надійність опори робочої деталі.
14. Пам'ятайте, що круг продовжує обертатися після вимкнення інструмента.
15. У разі високої температури, вологості чи рівня забруднення електропровідним пилом на робочому місці використовуйте автоматичний захисний вимикач (30 мА) для забезпечення безпеки оператора.
16. Не застосовуйте інструмент для роботи з матеріалами, що містять азбест.
17. Якщо використовується відрізний круг, обов'язково працюйте з пилозахисним кожухом круга, який відповідає вимогам місцевих норм.
18. Не можна піддавати ріжучі диски боковому тиску.
19. Під час роботи не користуйтеся сукняними робочими рукавицями. Волокно з сукняних рукавиць може потрапити в інструмент, і це призведе до його поломки.

ЗБЕРІГАЙТЕ ЦІ ВКАЗІВКИ.

▲ ПОПЕРЕДЖЕННЯ: НИКОЛИ НЕ втрачайте пильності та не розслабляйтеся під час користування виробом (що можливо при частому користуванні); обов'язково строго дотримуйтеся відповідних правил безпеки. **НЕНАЛЕЖНЕ ВИКОРИСТАННЯ** або недотримання правил безпеки, викладених у цій інструкції з експлуатації, може призвести до серйозних травм.

ОПИС РОБОТИ

▲ОБЕРЕЖНО: Перед тим як регулювати або перевіряти функціональність інструмента, обов'язково переконайтеся, що інструмент вимкнено й від'єднано від електромережі.

Замок вала

Натисніть на замок вала, щоб заблокувати обертання шпинделя під час встановлення або зняття приладдя.

► Рис.1: 1. Замок вала

УВАГА: Заборонено використовувати замок вала, коли шпиндель обертається. Це може призвести до пошкодження інструмента.

Дія вимикача

▲ОБЕРЕЖНО: Перед вмиканням інструмента в мережу обов'язково перевіряйте, чи повзунок спрацьовує належним чином та повертається у положення «вимкнено», коли натиснуто задню частину повзункового перемикача.

▲ОБЕРЕЖНО: Вимикач можна заблокувати в положенні «увімкнено» для зручності оператора у разі тривалого використання. У разі блокування інструмента в положенні «увімкнено» необхідно бути особливо обережним та міцно тримати інструмент.

Щоб запустити інструмент, пересуньте повзунковий перемикач у положення «I (УВІМКНЕНО)», натиснувши на його задню частину. Для неперервної роботи натисніть на передню частину повзункового перемикача, щоб заблокувати його.

Щоб вимкнути інструмент, натисніть на задню частину повзункового перемикача, а потім пересуньте його в положення «O (ВИМКНЕНО)».

► Рис.2: 1. Повзунковий перемикач

Захист від випадкового запуску

Коли вимикач заблоковано, інструмент не запускається, навіть якщо його увімкнено в мережу. Щоб скасувати захист від випадкового запуску, поверніть вимикач у положення OFF (ВИМКНЕНО).

ПРИМІТКА: Коли задіяно захист від випадкового запуску, зачекайте не менше однієї секунди, перш ніж повторно запускати інструмент.

ПРИМІТКА: Коли інструмент знає перевантаження і його температура сягає певного рівня, він автоматично зупиняється. У такому разі дайте інструменту охолонути, перш ніж знову його вмикати.

Функція плавного запуску

Функція плавного запуску гасить поштовх під час запуску інструмента.

ЗБОРКА

▲ОБЕРЕЖНО: Перед виконанням будь-яких робіт з інструментом обов'язково вимкніть його та відключіть від електромережі.

Встановлення бокової рукоятки (ручки)

▲ОБЕРЕЖНО: Перед початком роботи необхідно перевірити надійність кріплення бокової рукоятки.

Надійно пригвинтіть бокову рукоятку до інструмента, як показано на малюнку.

► Рис.3

Установлення та зняття захисного кожуха (для круга з заглибленим центром, пелюсткового диска, гнучкого круга, дискової дрютяної щітки / абразивного відрізного круга, алмазного диска)

▲ПОПЕРЕДЖЕННЯ: При використанні круга з заглибленим центром, пелюсткового диска, гнучкого круга або дискової дрютяної щітки встановлюйте захисний кожух круга таким чином, щоб закриту сторону кожуха завжди було спрямовано в бік оператора.

▲ПОПЕРЕДЖЕННЯ: Під час застосування абразивного відрізного круга / алмазного диска обов'язково використовуйте тільки спеціальний захисний кожух, призначений для використання з відрізними кругами.

(У деяких країнах Європи під час застосування алмазного диска можна використовувати звичайний захисний кожух. Дотримуйтеся норм та правил, чинних у вашій країні.)

Для інструмента із захисним кожухом круга зі стопорним гвинтом

Установіть захисний кожух круга, сумістивши виступи на його ободі з виїмками на корпусі підшипника. Потім поверніть захисний кожух круга на такий кут, щоб він захищав оператора відповідно до виконуваних робіт. Надійно затягніть гвинт.

Щоб зняти захисний кожух круга, виконайте процедуру його встановлення у зворотному порядку.

► Рис.4: 1. Захисний кожух круга 2. Корпус підшипника 3. Гвинт

Для інструмента із захисним кожухом круга із затискним важелем

Відпустіть гвинт і потягніть важіль у напрямку, вказаному стрілкою. Установіть захисний кожух круга, сумістивши виступи на його ободі з виїмками на корпусі підшипника. Потім поверніть захисний кожух круга на такий кут, щоб він захищав оператора відповідно до виконуваних робіт.

► **Рис.5:** 1. Захисний кожух круга 2. Корпус підшипника 3. Гвинт 4. Важіль

Потягніть важіль у напрямку, вказаному стрілкою. Потім затягніть захисний кожух круга за допомогою гвинта. Надійно затягніть гвинт. Кут встановлення захисного кожуха круга можна відрегулювати за допомогою важеля.

► **Рис.6:** 1. Гвинт 2. Важіль

Щоб зняти захисний кожух круга, виконайте процедуру його встановлення у зворотному порядку.

Встановлення або зняття круга з заглибленим центром або пелюсткового диска

Додаткове приладдя

⚠ ПОПЕРЕДЖЕННЯ: При використанні круга з заглибленим центром або пелюсткового диска встановлюйте захисний кожух круга таким чином, щоб закрити сторону кожуха завжди було спрямовано в бік оператора.

⚠ ОБЕРЕЖНО: Переконайтеся, що монтажна деталь внутрішнього фланця точно відповідає внутрішньому діаметру круга з заглибленим центром / пелюсткового диска. Встановлення внутрішнього фланця на невідповідному боці може призвести до небезпечної вібрації.

Установіть внутрішній фланець на шпindel. Переконайтеся, що зазублену частину внутрішнього фланця встановлено на пряму частину внизу шпindel.

Встановіть круг із заглибленим центром / пелюстковий диск на внутрішній фланець та накрутіть контргайку на шпindel.

► **Рис.7:** 1. Контргайка 2. Круг із заглибленим центром 3. Внутрішній фланець 4. Монтажна деталь

Щоб затягнути контргайку, міцно натисніть на замок вала, щоб шпindel не міг обертатись, а потім за допомогою ключа для контргайки надійно затягніть її за годинникову стрілку.

► **Рис.8:** 1. Ключ для контргайки 2. Замок вала

Щоб зняти круг, виконайте процедуру його встановлення у зворотному порядку.

Суперфланець

Додаткове приладдя

Тільки для інструментів із різьбою шпindelю M14.

До стандартного комплексу моделей з літерою F входить суперфланець. Порівняно зі звичайним типом необхідно втричі менше зусиль, щоб відпустити контргайку.

Встановлення та зняття гнучкого круга

Додаткове приладдя

⚠ ПОПЕРЕДЖЕННЯ: Якщо на інструмент встановлено гнучкий круг, обов'язково використовуйте захисний кожух, що входить до комплексу постачання. Під час використання круг може розколотися, а захисний кожух зменшує ризик травмування.

► **Рис.9:** 1. Контргайка 2. Гнучкий круг 3. Підкладка 4. Внутрішній фланець

Дотримуйтеся інструкцій щодо використання диска із заглибленим центром, але також використовуйте пластикову підкладку, що встановлюється на диск. Порядок монтажу вказано в цій інструкції з експлуатації на сторінці з інформацією про приладдя.

Встановлення або зняття абразивного диска

Додаткове приладдя

► **Рис.10:** 1. Контргайка шліфувального диска 2. Абразивний диск 3. Гумова підкладка

1. Установіть гумову підкладку на шпindel.
2. Установіть диск на гумову підкладку та накрутіть на шпindel контргайку шліфувального диска.
3. Утримуйте шпindel за допомогою замка вала та надійно затягніть контргайку шліфувального диска ключем для контргайки.

Щоб зняти диск, виконайте процедуру встановлення у зворотному порядку.

ПРИМІТКА: Використовуйте приладдя для шліфувальної машини, зазначені в цій інструкції. Їх потрібно купувати окремо.

РОБОТА

▲ ПОПЕРЕДЖЕННЯ: Не потрібно прикладати силу до інструмента. Вага інструмента забезпечує достатній тиск. Прикладання сили та надмірний тиск можуть призвести до небезпечної поломки круга.

▲ ПОПЕРЕДЖЕННЯ: **ОБОВ'ЯЗКОВО** замініть круг, якщо інструмент впав під час роботи.

▲ ПОПЕРЕДЖЕННЯ: **У ЖОДНОМУ РАЗІ** не вдаряйте шліфувальним диском по робочій деталі.

▲ ПОПЕРЕДЖЕННЯ: Уникайте відскоків та чіпляння круга, особливо під час обробки кутів, гострих країв тощо. Це може призвести до втрати контролю та віддачі.

▲ ПОПЕРЕДЖЕННЯ: **ЗАБОРОНЕНО** використовувати інструмент із ріжучими дисками для деревини та іншими дисками пили. У разі використання на шліфувальних машинах такі диски часто спричиняють віддачу та призводять до втрати контролю та травмування.

▲ ОБЕРЕЖНО: Заборонено вмикати інструмент, коли він торкається робочої деталі, оскільки це може призвести до травмування оператора.

▲ ОБЕРЕЖНО: Під час роботи обов'язково користуйтеся захисними окулярами або захисним щитком.

▲ ОБЕРЕЖНО: Після закінчення роботи обов'язково вимкніть інструмент та зачекайте, поки круг не зупиниться повністю, перш ніж відкладати інструмент.

▲ ОБЕРЕЖНО: **ОБОВ'ЯЗКОВО** міцно тримайте інструмент однією рукою за корпус, а другою — за бокову рукоятку (ручку).

Шліфування абразивним кругом / диском та абразивним папером

► Рис. 11

Увімкніть інструмент та підведіть круг або диск до робочої деталі. Взагалі слід підтримувати кут близько 15° між краєм круга або диска та поверхнею деталі. Під час періоду припрацювання нового круга не можна пересувати шліфувальну машину вперед, інакше вона може врізатися в деталь. Щойно край круга стане обточеним від використання, круг можна буде пересувати як вперед, так і назад.

Робота з абразивним відрізним кругом / алмазним диском

Додаткове приладдя

▲ ПОПЕРЕДЖЕННЯ: Під час застосування абразивного відрізного круга / алмазного диска обов'язково використовуйте тільки спеціальний захисний кожух, призначений для використання з відрізними кругами.

(У деяких країнах Європи під час застосування алмазного диска можна використовувати звичайний захисний кожух. Дотримуйтеся норм та правил, чинних у вашій країні.)

▲ ПОПЕРЕДЖЕННЯ: **ЗАБОРОНЕНО** використовувати відрізнний круг для бокового шліфування.

▲ ПОПЕРЕДЖЕННЯ: Не можна «заклинювати» круг або піддавати його надмірному тиску. Не намагайтеся зробити розріз надмірної глибини. Перенапруження круга збільшує навантаження та здатність до перекошування або застрягання круга у розрізі, а також створює потенційний ризик віддачі, поломки круга та перегрівання двигуна.

▲ ПОПЕРЕДЖЕННЯ: Заборонено розпочинати різання, коли круг знаходиться в деталі. Спочатку круг повинен набрати повну швидкість, а потім його слід обережно ввести у проріз, пересуваючи інструмент уперед над поверхню деталі. Якщо інструмент запустити, коли круг знаходиться в робочій деталі, круг може застрягти, сіпнутися або спричинити віддачу.

▲ ПОПЕРЕДЖЕННЯ: Під час різання не можна міняти кут нахилу круга. Прикладання бокового тиску до відрізного круга (як під час шліфування) призведе до розтріскування та поломки круга і, як наслідок, до важких травм.

▲ ПОПЕРЕДЖЕННЯ: Алмазний диск необхідно прикладати перпендикулярно до робочої поверхні під час роботи.

► Рис. 12: 1. Контрґайка 2. Абразивний відрізнний круг / алмазний диск 3. Внутрішній фланець 4. Захисний кожух для абразивного відрізного круга / алмазного диска

Стосовно встановлення дотримуйтеся інструкцій для круга із заглибленим центром.

Напрямок встановлення контрґайки та внутрішнього фланця залежить від типу та товщини круга.

Див. наведені далі рисунки.

Для моделі 100 мм (4")

Під час встановлення абразивного відрізного круга:

► Рис. 13: 1. Контрґайка 2. Абразивний відрізнний круг (з товщиною до 4 мм (5/32")) 3. Абразивний відрізнний круг (з товщиною від 4 мм (5/32")) 4. Внутрішній фланець

Під час встановлення алмазного диска:

- Рис.14: 1. Контргайка 2. Алмазний диск (з товщиною до 4 мм (5/32")) 3. Алмазний диск (з товщиною від 4 мм (5/32")) 4. Внутрішній фланець

Для моделі 115 мм (4—1/2")/125 мм (5")

Під час встановлення абразивного відрізного круга:

- Рис.15: 1. Контргайка 2. Абразивний відрізняний круг (з товщиною до 4 мм (5/32")) 3. Абразивний відрізняний круг (з товщиною від 4 мм (5/32")) 4. Внутрішній фланець

Під час встановлення алмазного диска:

- Рис.16: 1. Контргайка 2. Алмазний диск (з товщиною до 4 мм (5/32")) 3. Алмазний диск (з товщиною від 4 мм (5/32")) 4. Внутрішній фланець

Робота з чашоподібною дротяною щіткою

Додаткове приладдя

▲ОБЕРЕЖНО: Перевірте роботу щітки, запустивши інструмент у режимі холостого ходу, наперед переконавшись, що перед щіткою або на одній лінії з нею немає людей.

▲ОБЕРЕЖНО: Не використовуйте пошкоджену або розбалансовану щітку. Використання пошкодженої щітки може збільшити ризик травмування через контакт із дротами пошкодженої щітки.

- Рис.17: 1. Чашоподібна дротяна щітка

Вимкніть інструмент з електромережі та переверніть його, щоб мати зручний доступ до шпинделя.

Зніміть усе приладдя зі шпинделя. Накрутіть чашоподібну дротяну щітку на шпindel та затягніть за допомогою ключа, що входить до комплексу постачання.

УВАГА: Не прикладайте надмірний тиск, від якого дроти можуть сильно погнутися під час використання щітки. Це може призвести до передчасного виходу з ладу.

Робота з дисковою дротяною щіткою

Додаткове приладдя

▲ОБЕРЕЖНО: Перевірте роботу дискової дротяної щітки, запустивши інструмент у режимі холостого ходу, попередньо переконавшись, що перед щіткою або на одній лінії з нею немає людей.

▲ОБЕРЕЖНО: Не використовуйте пошкоджену або розбалансовану дискову дротяну щітку. Використання пошкодженої дискової дротяної щітки може збільшити ризик травмування через контакт із дротами пошкодженої щітки.

▲ОБЕРЕЖНО: Із дисковою дротяною щіткою **ОБОВ'ЯЗКОВО** використовуйте захисний кожух, який відповідає діаметру диска. Під час використання круг може розколотися, а захисний кожух зменшує ризик травмування.

- Рис.18: 1. Дискова дротяна щітка

Вимкніть інструмент з електромережі та переверніть його, щоб мати зручний доступ до шпинделя. Зніміть усе приладдя зі шпинделя. Накрутіть дискову дротяну щітку на шпindel та затягніть за допомогою ключів.

УВАГА: Не прикладайте надмірний тиск, від якого дроти можуть сильно погнутися під час використання дискової дротяної щітки. Це може призвести до передчасного виходу з ладу.

ТЕХНІЧНЕ ОБСЛУГОВУВАННЯ

▲ОБЕРЕЖНО: Перед тим як проводити огляд або технічне обслуговування інструмента, переконайтеся, що його вимкнено і від'єднано від мережі.

УВАГА: Ніколи не використовуйте газолін, бензин, розріджувач, спирт та подібні речовини. Їх використання може призвести до зміни кольору, деформації або появи тріщин.

Очищення вентиляційних отворів

Необхідно підтримувати чистоту інструмента та його вентиляційних отворів. Очищуйте вентиляційні отвори інструмента регулярно та щоразу, коли вони стають заблокованими.

- Рис.19: 1. Вихідні вентиляційні отвори 2. Вхідні вентиляційні отвори

Для забезпечення БЕЗПЕКИ та НАДІЙНОСТІ продукції, її ремонт, а також роботи з обслуговування або регулювання повинні виконуватись уповноваженими або заводськими сервісними центрами Makita із використанням запчастин виробництва компанії Makita.

ДОДАТКОВЕ ПРИЛАДДЯ

⚠ ОБЕРЕЖНО: Це додаткове та допоміжне обладнання рекомендовано використовувати з інструментом Makita, зазначеним у цій інструкції з експлуатації. Використання будь-якого іншого додаткового та допоміжного обладнання може становити небезпеку травмування. Використовуйте додаткове та допоміжне обладнання лише за призначенням.

У разі необхідності отримати допомогу в більш детальному ознайомленні з оснащенням звертайтеся до місцевого сервісного центру Makita.

► Рис.20

-	Модель 100 мм (4")	Модель 115 мм (4-1/2")	Модель 125 мм (5")
1	Затиск 36		
2	Захисний кожух круга (для шліфувального круга)		
3	Внутрішній фланець	Внутрішній фланець / суперфланець	
4	Круг із заглибленим центром / пелюстковий диск		
5	Контргайка		
6	Підкладка		
7	Гнучкий круг		
8	Гумова підкладка 76	Гумова підкладка 100	Гумова підкладка 115
9	Абразивний диск		
10	Контргайка шліфувального диска		
11	Дискова дротяна щітка		
12	Чашоподібна дротяна щітка		
13	Захисний кожух круга (для відрізного круга) *1		
14	Абразивний відрізнний круг / алмазний диск		
-	Ключ для контргайки		

ПРИМІТКА: *1 У деяких країнах Європи під час використання алмазного диска замість спеціального захисного кожуха, що закриває диск з обох боків, можна використовувати звичайний захисний кожух. Дотримуйтеся норм та правил, чинних у вашій країні.

ПРИМІТКА: Деякі елементи списку можуть входити до комплекту інструмента як стандартне приладдя. Вони можуть відрізнятися залежно від країни.

SPECIFICAȚII

Model:	GA4030R	GA4530R	GA5030R
Diametrul discului	100mm (4")	115mm (4-1/2")	125mm (5")
Grosimea maximă a discului	6,4mm	7,2mm	
Filetul arborelui	M10	M14 sau 5/8" (diferă în funcție de țară)	
Turație nominală (n)	11.000min ⁻¹		
Lungime totală	266mm		
Greutate netă	1,7kg	1,8kg	
Clasa de siguranță	□/II		

- Datorită programului nostru continuu de cercetare și dezvoltare, specificațiile pot fi modificate fără o notificare prealabilă.
- Specificațiile pot varia în funcție de țară.
- Greutatea este specificată conform procedurii EPTA 01/2003

Destinația de utilizare

Mașina este destinată polizării, șlefuirii și tăierii materialelor de metal și piatră fără utilizarea apei.

Sursă de alimentare

Mașina trebuie conectată numai la o sursă de alimentare cu curent alternativ monofazat, cu tensiunea egală cu cea indicată pe plăcuța de identificare a mașinii. Acestea au o izolație dublă și, drept urmare, pot fi utilizate de la prize fără împământare.

Zgomot

Nivelul de zgomot normal ponderat A determinat în conformitate cu EN60745:

Nivel de presiune acustică (L_{pA}): 85 dB(A)

Nivel de putere acustică (L_{WA}): 96 dB (A)

Marjă de eroare (K): 3 dB(A)

AVERTIZARE: Purtați echipament de protecție pentru urechi.

Vibrații

Valoarea totală a vibrațiilor (suma vectorilor tri-axiali) determinată conform EN60745:

Model GA4030R

Mod de lucru: polizarea suprafeței

Emisie de vibrații ($a_{h,AG}$): 7,0 m/s²

Marjă de eroare (K): 1,5 m/s²

Mod de lucru: șlefuire cu disc

Emisie de vibrații ($a_{h,DS}$): 2,5 m/s² sau mai puțin

Marjă de eroare (K): 1,5 m/s²

Model GA4530R

Mod de lucru: polizarea suprafeței

Emisie de vibrații ($a_{h,AG}$): 7,5 m/s²

Marjă de eroare (K): 1,5 m/s²

Mod de lucru: șlefuire cu disc

Emisie de vibrații ($a_{h,DS}$): 2,5 m/s² sau mai puțin

Marjă de eroare (K): 1,5 m/s²

Model GA5030R

Mod de lucru: polizarea suprafeței

Emisie de vibrații ($a_{h,AG}$): 8,5 m/s²

Marjă de eroare (K): 1,5 m/s²

Mod de lucru: șlefuire cu disc

Emisie de vibrații ($a_{h,DS}$): 2,5 m/s² sau mai puțin

Marjă de eroare (K): 1,5 m/s²

NOTĂ: Nivelul de vibrații declarat a fost măsurat în conformitate cu metoda de test standard și poate fi utilizat pentru compararea unei unelte cu alta.

NOTĂ: Nivelul de vibrații declarat poate fi, de asemenea, utilizat într-o evaluare preliminară a expunerii.

AVERTIZARE: Nivelul de vibrații în timpul utilizării efective a unelei electrice poate diferi de valoarea nivelului declarat, în funcție de modul în care unealta este utilizată.

AVERTIZARE: Asigurați-vă că identificați măsurile de siguranță pentru a proteja operatorul, acestea fiind bazate pe o estimare a expunerii în condiții reale de utilizare (luând în considerare toate părțile ciclului de operare, precum timpul în care unealta a fost oprită, sau a funcționat în gol, pe lângă timpul de declanșare).

AVERTIZARE: Nivelul de vibrații declarat este utilizat pentru aplicațiile principale ale mașinii electrice. Totuși, dacă mașina electrică este utilizată pentru alte aplicații, valoarea vibrațiilor emise poate fi diferită.

Declarație de conformitate CE

Nu mai pentru țările europene

Makita declară că următoarea(e) mașină(i):

Destinația mașinii: Polizor unghiular

Nr. model/Tip: GA4030R, GA4530R, GA5030R

Este în conformitate cu următoarele directive europene: 2006/42/EC

Sunt fabricate în conformitate cu următorul standard sau următoarele documente standardizate: EN60745
Fișierul tehnic în conformitate cu 2006/42/EC este disponibil de la:

Makita, Jan-Baptist Vinkstraat 2, 3070, Belgia



Yasushi Fukaya
Director
Makita, Jan-Baptist Vinkstraat 2, 3070, Belgia

Avertismente generale de siguranță pentru mașinile electrice

⚠️ AVERTIZARE: Citiți toate avertismentele de siguranță și toate instrucțiunile. Nerespectarea acestor avertismente și instrucțiuni poate avea ca rezultat electrocutarea, incendiul și/sau rănirea gravă.

Păstrați toate avertismentele și instrucțiunile pentru consultări ulterioare.

Termenul „mașină electrică” din avertizări se referă la mașinile dumneavoastră electrice acționate de la rețea (prin cablu) sau cu acumulator (fără cablu).

Avertismente privind siguranța pentru polizor

Avertismente privind siguranța comune operațiunilor de polizare, de șlefuire, periere sau operațiunilor de tăiere abrazivă:

- Această sculă electrică este destinată să funcționeze ca polizor, șlefuitor, perie de sârmă sau mașină de tăiat.** Citiți toate avertismentele privind siguranța, instrucțiunile, ilustrațiile și specificațiile furnizate cu această mașină electrică. Nerespectarea integrală a instrucțiunilor de mai jos poate cauza electrocutări, incendii și/sau vătămări corporale grave.
- Nu este recomandată executarea operațiilor cum ar fi lustruirea cu această sculă electrică.** Operațiile pentru care această mașină electrică nu a fost concepută pot fi periculoase și pot provoca vătămări corporale.
- Nu folosiți accesorii care nu sunt special concepute și recomandate de producătorul mașinii.** Simplul fapt că accesoriul poate fi atașat la mașina dumneavoastră electrică nu asigură funcționarea în condiții de siguranță.
- Turația nominală a accesoriului trebuie să fie cel puțin egală cu turația maximă indicată pe scula electrică.** Accesoriile utilizate la o turație superioară celei nominale se pot sparge și împrăștia.
- Diametrul exterior și grosimea accesoriului dumneavoastră trebuie să se înscrie în capacitatea nominală a sculei electrice.** Accesoriile de dimensiuni incorecte nu pot fi protejate sau controlate în mod corespunzător.
- Montarea prin filetare a accesoriilor trebuie să corespundă arborelui filetat al polizorului.** Pentru accesorii montate prin flanșe, orificiul arborelui accesoriului trebuie să corespundă diametrului de localizare a flanșei. Accesoriile care nu se potrivesc cu uneltele de montaj ale mașinii electrice vor funcționa dezechilibrat, vor vibra excesiv și pot cauza pierderea controlului.
- Nu folosiți un accesoriu deteriorat.** Înaintea fiecărei utilizări inspectați accesoriile, cum ar fi roțile abrazive, în privința sfărâmăturilor și fisurilor, drcurile de fixare în privința fisurilor, rupțurii sau uzurii excesive, peria de sârmă în privința firelor slăbite sau plesnite. Dacă scăpați pe jos mașina sau accesoriul, inspectați-le cu privire la deteriorări sau instalați un accesoriu intact. După inspectarea și instalarea unui accesoriu, poziționați-vă împreună cu trecătorii la depărtare de planul accesoriului rotativ și porniți mașina electrică la viteza maximă de mers în gol timp de un minut. Accesoriile deteriorate se vor sparge în mod normal pe durata acestui test.
- Purtați echipamentul individual de protecție.** În funcție de aplicație, folosiți o mască de protecție, ochelari de protecție sau viziere de protecție. Dacă este cazul, purtați o mască de protecție contra prafului, mijloace de protecție a auzului, mănuși și un șort de lucru capabil să oprească fragmentele mici abrazive sau fragmentele piesei. Mijloacele de protecție a vederii trebuie să fie capabile să oprească resturile proiectate în aer generate la diverse operații. Maska de protecție contra prafului sau masca respiratorie trebuie să fie capabilă să filtreze particulele generate în timpul operației respective. Expunerea prelungită la zgomot foarte puternic poate provoca pierderea auzului.
- Țineți trecătorii la o distanță sigură față de zona de lucru.** Orice persoană care pătrunde în zona de lucru trebuie să poarte echipament individual de protecție. Fragmentele piesei prelucrate sau ale unui accesoriu spart pot fi proiectate în jur cauzând vătămări corporale în zona imediat adiacentă zonei de lucru.
- Țineți scula electrică doar pe suprafețele de prindere izolate atunci când executați o operație în care accesoriul de tăiere poate intra în contact cu cabluri ascunse sau cu propriul cablu.** Accesoriul de tăiere care intră în contact cu un fir aflat sub tensiune poate pune sub tensiune componentele metalice neizolate ale mașinii electrice și poate produce un șoc electric asupra operatorului.
- Poziționați cablul la distanță de accesoriul aflat în rotație.** Dacă pierdeți controlul, cablul poate fi tăiat sau agățat și mâna sau brațul dumneavoastră pot fi trase în accesoriul aflat în rotație.
- Nu așezați niciodată scula electrică înainte de oprirea completă a accesoriului.** Accesoriul aflat în rotație ar putea apuca suprafața și trage de mașina electrică fără a o putea controla.
- Nu lăsați scula electrică în funcțiune în timp ce o transportați lângă corpul dumneavoastră.** Contactul accidental cu accesoriul aflat în rotație vă poate agăța îmbrăcămintea, trăgând accesoriul spre corpul dumneavoastră.
- Curățați în mod regulat fantele de ventilație ale sculei electrice.** Ventilatorul motorului va aspira praful în interiorul carcasei, iar acumulările excesive de pulberi metalice pot prezenta pericol de electrocutare.
- Nu folosiți scula electrică în apropierea materialelor inflamabile.** Scântelele pot aprinde aceste materiale.
- Nu folosiți accesorii care necesită agenți de răcire lichizi.** Folosirea apei sau a lichidelor de răcire poate cauza electrocutări sau șocuri de tensiune.

Recul și avertismente asociate

Reculul este o reacție bruscă la înțepenirea sau agățarea unui disc, unui taler suport, unei perii sau unui alt accesoriu aflat în rotație. Înțepenirea sau agățarea provoacă o oprire bruscă a accesoriului aflat în rotație, ceea ce forțează mașina scăpată de sub control în direcția opusă celei de rotație a accesoriului în punctul de contact.

De exemplu, dacă o roată abrazivă se înțepenește sau se agață în piesa de prelucrat, muchia discului care pătrunde în punctul de blocare poate săpa în suprafața materialului cauzând urcarea sau proiectarea înapoi a discului. Discul poate sări către utilizator sau în partea opusă acestuia, în funcție de direcția de mișcare a discului în punctul de blocare. De asemenea, roțile abrazive se pot rupe în aceste condiții.

Reculul este rezultatul utilizării incorecte a sculei electrice și/sau al procedeeilor sau condițiilor de lucru necorespunzătoare, putând fi evitat prin adoptarea unor măsuri de precauție adecvate prezentate în continuare.

1. **Mentineți o priză fermă pe scula electrică și poziționați-vă corpul și brațele astfel încât să contracarați forțele de recul. Folosiți întotdeauna mânerul auxiliar, dacă există, pentru a contracara în mod optim reculurile sau momentul de torsiune reactiv din faza de pornire.** Utilizatorul poate contracara momentele de torsiune reactive sau forțele de recul, dacă își ia măsuri de precauție adecvate.
2. **Nu vă poziționați niciodată mâna în apropierea accesoriului aflat în rotație.** Accesoriul poate recula peste mâna dumneavoastră.
3. **Nu vă poziționați corpul în zona în care se va deplasa mașina electrică în cazul unui recul.** Reculul va împinge unealta în direcția opusă rotației discului în punctul de agățare.
4. **Procedați cu deosebită atenție atunci când prelucrați colțuri, muchii ascuțite etc.** Evitați agățările și salturile accesoriului. Colțurile, muchiile ascuțite sau salturile au tendința de a agăța accesoriul aflat în rotație și conduc la pierderea controlului sau apariția reculurilor.
5. **Nu atașați o pânză de ferăstrău cu lanț pentru scobirea lemnului sau o lamă de ferăstrău dințată.** Astfel de pânze pot crea reculuri frecvente și pierderea controlului.

Avertisment privind siguranța comună operațiunilor de polizare și tăiere abrazivă:

1. **Utilizați numai tipurile de discuri care sunt recomandate pentru scula dumneavoastră electrică și apărătorile specifice proiectate pentru discul selectat.** Discurile pentru care scula electrică nu a fost proiectată nu pot fi protejate adecvat și sunt nesigure.
2. **Suprafața de polizare a discurilor apăstate în centru trebuie să fie montată sub planul marginii apărătoarei.** Un disc montat necorespunzător care iese prin planul marginii apărătoarei nu poate fi protejat în mod adecvat.
3. **Apărătoarea trebuie atașată ferm la scula electrică și poziționată pentru siguranță maximă, astfel cea mai mică porțiune a discului este expusă în direcția operatorului.** Apărătoarea ajută la protejarea operatorului de fragmentele discului spart, de contactul accidental cu discul și de scântele care ar putea aprinde îmbrăcămintea.

4. **Discurile trebuie utilizate numai pentru aplicațiile recomandate. De exemplu: nu șlefuiți cu părțile laterale ale discului abraziv de retezat.** Discurile abrazive de retezat sunt create pentru șlefuire periferică, iar forțele aplicate pe părțile laterale ale discurilor pot cauza spargerea acestora.
5. **Folosiți întotdeauna flanșe de disc intacte, cu dimensiuni și formă adecvate pentru discul folosit.** Flanșele de disc adecvate susțin discul reducând astfel posibilitatea de rupere a acestuia. Flanșele pentru discurile abrazive de retezat pot fi diferite de flanșele discului pentru polizare.
6. **Nu folosiți discuri parțial uzate de la mașini electrice mai mari.** Discurile destinate unei scule electrice mai mari nu sunt adecvate pentru viteza mai mare a unei mașini mici și se pot sparge.

Avertisment suplimentare specifice privind siguranța operațiunilor de retezare abrazivă:

1. **Nu „blocați” discul abraziv de retezat și nici nu aplicați o presiune excesivă. Nu încercați să executați o adâncime excesivă a tăieturii.** Supratensionarea discului mărește sarcina și susceptibilitatea de a torsiona sau a de a înțepeni discul în tăietură și posibilitatea de recul sau de spargere a discului.
2. **Nu vă poziționați corpul pe aceeași linie și în spatele discului aflat în rotație.** Atunci când discul, la punctul de operare, se mișcă departe de corpul dumneavoastră, reculul posibil poate împinge discul care se învâрте și scula electrică direct spre dumneavoastră.
3. **Atunci când discul este înțepenit sau când este întrerupt o tăiere din orice motiv, opriți scula electrică și țineți-o nemișcată până când discul se oprește complet. Nu încercați niciodată să scoateți discul abraziv de retezat din tăietură în timp ce discul este în mișcare; în caz contrar, poate apărea reculul.** Investigați și efectuați acțiunile corective pentru a elimina cauza înțepenirii discului.
4. **Nu reporniți operația de tăiere în piesa de prelucrat. Lăsați discul să ajungă la viteza maximă și pătrundeți din nou cu atenție în tăietură.** Roata se poate înțepeni, se poate deplasa în sus sau poate provoca un recul dacă mașina electrică este repornită în piesa de lucru.
5. **Sprîjiți panourile sau orice piesă de prelucrat de dimensiuni mari pentru a minimiza riscul de înțepenire și recul al discului.** Piese de prelucrat mari tind să se încovoieze sub propria greutate. Sub piesa de prelucrat trebuie amplasate suporturi lângă linia de tăiere și lângă marginea piesei de prelucrat, pe ambele părți ale discului.
6. **Acordați o atenție sporită atunci când executați o „decupare prin plonjare” în pereții existenți sau în alte zone mascate.** Discul poate tăia conducte de gaz sau de apă, cabluri electrice sau obiecte care pot provoca un recul.

Avertisment specifice privind siguranța operațiunilor de șlefuire:

1. **Nu utilizați hârtie de șlefuit supradimensiionată excesiv pentru discul de șlefuire. Respectați recomandările producătorilor, atunci când selectați hârtia de șlefuit.** Hârtia de șlefuit prea mare extinsă în afara plăcii de șlefuire prezintă pericol de sfășiere și poate cauza înțepenirea, sfășierea discului sau reculul.

Avertismente specifice privind siguranța operațiunilor de periere:

1. Țineți cont de faptul că firele de sârmă sunt aruncate de perie chiar și în timpul unei operațiuni obișnuite. Nu supratensionați firele prin aplicarea unei sarcini excesive periei. Firele de sârmă pot penetra ușor îmbrăcămintea subțire și/sau pielea.
2. Dacă se recomandă utilizarea unei protecții pentru periere, nu permiteți nicio interferență a discului sau periei din sârmă cu protecția. Discul sau peria din sârmă își pot mări diametrul din cauza sarcinilor de lucru și a forțelor centrifugale.

Avertismente suplimentare privind siguranța:

1. Atunci când folosiți discuri cu centru adâncit, asigurați-vă că folosiți numai discuri armate cu fibră de sticlă.
2. NU UTILIZAȚI NICIODATĂ discuri abrazive în formă de oală cu acest polizor. Acest polizor nu este conceput pentru aceste tipuri de discuri, iar utilizarea unui astfel de produs poate duce la accidentări grave.
3. Fiți atenți să nu deteriorați arborele, flanșa (în special suprafața de montaj) sau contrapiulița. Deteriorarea acestor piese poate conduce la ruperea discului.
4. Asigurați-vă că discul nu intră în contact cu piesa de prelucrat înainte de a apăsa comutatorul.
5. Înainte de utilizarea mașinii pe piesa propriu-zisă, lăsați-o să funcționeze în gol pentru un timp. Încercați să identificați orice vibrație sau oscilație care ar putea indica o instalare necorespunzătoare sau un disc neechilibrat.
6. Folosiți fața specificată a discului pentru a executa polizarea.
7. Nu lăsați mașina în funcțiune. Folosiți mașina numai când o țineți cu mâinile.
8. Nu atingeți piesa prelucrată imediat după executarea lucrării; aceasta poate fi extrem de fierbinte și poate provoca arsuri ale pielii.
9. Respectați instrucțiunile producătorului cu privire la montarea și utilizarea corectă a discurilor. Manipulați și depozitați cu atenție discurile.
10. Nu folosiți reducții cu mufă sau adaptoare separate pentru a adapta roțile abrazive cu gaură mare.
11. Folosiți numai flanșele specificate pentru această mașină.
12. Pentru mașinile destinate a fi echipate cu disc cu gaură filetată, asigurați-vă că filetul discului este suficient de lung pentru lungimea arborelui.
13. Verificați ca piesa de prelucrat să fie sprijinită corect.
14. Rețineți că discul continuă să se rotească după oprirea mașinii.
15. Dacă locul de muncă este extrem de călduros și umed, sau foarte poluat cu pulbere conductoare, folosiți un întrerupător de scurtcircuitare (30 mA) pentru a asigura protecția utilizatorului.
16. Nu folosiți mașina pe materiale care conțin azbest.
17. Când folosiți discuri abrazive de rețezat, lucrați întotdeauna cu apărătoarea colectoare de praf a discului, impusă de reglementările naționale.
18. Discurile de rețezat nu trebuie supuse niciunei presiuni laterale.

19. Nu purtați mănuși de lucru din pânză în timpul operației. Fibrele din mănușile de pânză pot intra în mașină, ducând la blocarea mașinii.

PĂSTRAȚI ACESTE INSTRUCȚIUNI.

⚠️AVERTIZARE: NU permiteți comodității și familiarizării cu produsul (obținute prin utilizare repetată) să înlocuiască respectarea strictă a normelor de securitate pentru acest produs. FOLOSIREA INCORECTĂ sau nerespectarea normelor de securitate din acest manual de instrucțiuni poate provoca vătămări corporale grave.

DESCRIEREA FUNCȚIILOR

⚠️ATENȚIE: Asigurați-vă că ați oprit mașina și că ați deconectat-o de la rețea înainte de a o regla sau de a verifica starea sa de funcționare.

Pârghie de blocare a axului

Apăsați pârghia de blocare a axului pentru a preveni rotirea arborelui atunci când montați sau demontați accesoriile.

► Fig.1: 1. Pârghie de blocare a axului

NOTĂ: Nu acționați niciodată pârghia de blocare a axului în timpul mișcării arborelui. Mașina poate fi avariată.

Acționarea întrerupătorului

⚠️ATENȚIE: Înainte de a conecta mașina, verificați întotdeauna dacă comutatorul glisant funcționează corect și revine în poziția „OFF” (Oprire) atunci când se apasă partea din spate a comutatorului glisant.

⚠️ATENȚIE: Comutatorul poate fi blocat în poziția „ON” (pornire) pentru confortul utilizatorului în timpul utilizării prelungite. Acordați atenție atunci când blocați mașina în poziția „ON” (pornire) și țineți mașina ferm.

Pentru a porni mașina, deplasați comutatorul glisant spre poziția „I (ON)” (pornit), apăsând partea posterioară a comutatorului. Pentru funcționare continuă, apăsați partea din față a comutatorului glisant pentru a-l bloca.

Pentru a opri mașina, apăsați partea posterioară a comutatorului glisant și apoi glisați-l spre poziția „O (OFF)” (oprit).

► Fig.2: 1. Comutator glisant

Protecția împotriva repornirii accidentale

Unealta nu pornește cu butonul blocat chiar dacă ștecherul este în priză.

Pentru a anula protecția împotriva repornirii accidentale, readuceți comutatorul de alimentare la poziția OFF (oprit).

NOTĂ: Așteptați cel puțin o secundă înainte de a reporni mașina atunci când protecția împotriva repornirii accidentale este activă.

NOTĂ: Când mașina este supraîncărcată și temperatura mașinii atinge un anumit nivel, mașina se oprește automat. În această situație, lăsați mașina să se răcească înainte de a o reporni.

Funcție de pornire lentă

Funcția de pornire lentă atenuează șocul de pornire.

ASAMBLARE

ATENȚIE: Asigurați-vă că ați oprit mașina și că ați deconectat-o de la rețea înainte de a efectua vreo intervenție asupra mașinii.

Instalarea mânerului lateral (mâner)

ATENȚIE: Asigurați-vă că mânerul lateral este bine fixat înainte de a pune mașina în funcțiune.

Înșurubați ferm mânerul lateral la mașină în poziția prezentată în figură.

► Fig.3

Instalarea sau demontarea apărătorii pentru disc (Pentru disc cu centru depresat, disc lamelar, disc flexibil, perie de disc din sârmă/ disc abraziv de retezat, disc de diamant)

AVERTIZARE: Atunci când utilizați un disc cu centru depresat, un disc lamelar, un disc flexibil sau o perie de disc din sârmă, apărătoarea discului trebuie montată pe mașină astfel încât partea închisă a apărătorii să fie întotdeauna orientată către operator.

AVERTIZARE: Atunci când utilizați un disc abraziv pentru retezat/disc de diamant, asigurați-vă că utilizați doar apărătoarele pentru disc proiectate special pentru a fi utilizate împreună cu discuri abrazive de retezat.

(În unele țări europene, la utilizarea unui disc de diamant, poate fi utilizată o apărătoare obișnuită. Respectați regulamentele din țara dumneavoastră.)

Pentru mașinile cu apărătoare pentru disc cu șurub de blocare

Montați apărătoarea pentru disc cu partea proeminentă pe banda apărătorii pentru disc aliniată cu fantele de pe lagăr. Apoi rotiți apărătoarea discului în așa fel încât să protejeze operatorul în timpul lucrului. Asigurați-vă că ați strâns ferm șurubul.

Pentru a demonta apărătoarea discului, executați în ordine inversă operațiile de montare.

► Fig.4: 1. Apărătoarea discului 2. Lagăr 3. Șurub

Pentru mașinile cu apărătoare pentru disc cu pârghie de strângere

Slăbiți șurubul și apoi trageți pârghia în direcția săgeții. Montați apărătoarea pentru disc cu partea proeminentă pe banda apărătorii pentru disc aliniată cu fantele de pe lagăr. Apoi rotiți apărătoarea discului în așa fel încât să protejeze operatorul în timpul lucrului.

► Fig.5: 1. Apărătoarea discului 2. Lagăr 3. Șurub 4. Pârghie

Trageți pârghia în direcția săgeții. Apoi strângeți apărătoarea pentru disc cu ajutorul șurubului. Asigurați-vă că ați strâns ferm șurubul. Unghiul de reglare al apărătorii pentru disc poate fi reglat cu ajutorul pârghiei.

► Fig.6: 1. Șurub 2. Pârghie

Pentru a demonta apărătoarea discului, executați în ordine inversă operațiile de montare.

Montarea sau demontarea discului cu centru depresat sau discului lamelar

Accesorii opționale

AVERTIZARE: Atunci când utilizați un disc cu centru depresat sau un disc lamelar, apărătoarea discului trebuie montată pe mașină astfel încât partea închisă a apărătorii să fie întotdeauna orientată către operator.

ATENȚIE: Asigurați-vă că piesa de montare a flanșei interioare se potrivește perfect în diametrul interior al discului cu centru depresat/discului lamelar. Montarea flanșei interioare pe partea incorectă poate duce la vibrații periculoase.

Montați flanșa interioară pe arbore.

Asigurați-vă că fixați partea crestată a flanșei interioare pe partea dreaptă de la baza arborelui.

Instalați discul cu centru depresat/discul lamelar pe flanșa interioară și înșurubați contrapiulița pe arbore.

► Fig.7: 1. Contrapiuliță 2. Disc cu centru depresat 3. Flanșă interioară 4. Piesă de montare

Pentru a strânge contrapiulița, apăsați puternic pârghia de blocare a axului astfel încât arborele să nu se poată roti, apoi folosiți cheia pentru contrapiuliță și strângeți ferm în sens orar.

► Fig.8: 1. Cheie pentru contrapiuliță 2. Pârghie de blocare a axului

Pentru a demonta discul, executați în ordine inversă operațiile de montare.

Flanșă super

Accesorii opționale

Doar pentru mașini cu filet de arbore M14.

Modelele cu litera F sunt dotate standard cu o flanșă super. În comparație cu tipul uzual, este necesar doar 1/3 din efort pentru a desface contrapiulița.

Montarea sau demontarea discului flexibil

Accesorii opționale

AVERTIZARE: Utilizați întotdeauna apărătoarea furnizată când discul flexibil este montat pe mașină. Discul se poate sparge în timpul utilizării, iar apărătoarea ajută la reducerea riscului de vătămare.

- **Fig.9:** 1. Contrapiuliță 2. Disc flexibil 3. Taler suport
4. Flanșă interioară

Urmați instrucțiunile pentru discul cu centru depresat, dar utilizați, de asemenea, un taler de plastic peste disc. Consultați ordinea de asamblare la pagina cu accesorii din acest manual.

Montarea sau demontarea discului abraziv

Accesorii opționale

- **Fig.10:** 1. Contrapiuliță de presare 2. Disc abraziv
3. Taler de cauciuc

1. Montați talerul de cauciuc pe arbore.
2. Instalați discul pe talerul de cauciuc și înșurubați contrapiulița de presare pe arbore.
3. Fixați arborele cu pârghia de blocare a axului și strângeți fix contrapiulița de presare cu cheia pentru contrapiuliță.

Pentru a demonta discul, executați în ordine inversă operațiile de instalare.

NOTĂ: Folosiți accesorii pentru polizor specificate în acest manual. Acestea trebuie achiziționate separat.

OPERAREA

AVERTIZARE: Nu este niciodată necesară forțarea mașinii. Greutatea mașinii exercită o presiune adecvată. Forțarea și exercitarea unei presiuni excesive pot provoca ruperea periculoasă a discului.

AVERTIZARE: Înlocuiți ÎNTOTDEAUNA discul dacă scăpați mașina pe jos în timpul rectificării.

AVERTIZARE: Nu loviți NICIODATĂ discul abraziv de piesa prelucrată.

AVERTIZARE: Evitați izbiturile și salturile discului, în special când prelucrați colțuri, muchii ascuțite etc. Acestea pot provoca pierderea controlului și reculerii.

AVERTIZARE: Nu folosiți NICIODATĂ mașina cu discuri de tăiat lemne sau alte discuri de ferăstrău. Astfel de discuri folosite cu polizorul pot sări, ducând la pierderea controlului mașinii și la accidentări.

ATENȚIE: Nu porniți niciodată mașina atunci când aceasta se află în contact cu piesa de prelucrat, deoarece poate vătăma operatorul.

ATENȚIE: Purtați întotdeauna ochelari de protecție și o mască de protecție în timpul lucrului.

ATENȚIE: După terminarea operației, opriți întotdeauna mașina și așteptați ca discul să se oprească complet înainte de a așeza mașina.

ATENȚIE: Țineți ÎNTOTDEAUNA mașina ferm cu o mână pe carcasă și cu cealaltă pe mânerul lateral (mâner).

Operația de rectificare și șlefuire

- **Fig.11**

Porniți mașina și apoi aplicați discul pe piesa de prelucrat.

În principiu, mențineți muchia discului la un unghi de circa 15° față de suprafața piesei de prelucrat.

Pe durata perioadei de rodaj a unui disc nou, nu prelucrați cu polizorul pe direcția înainte deoarece aceasta va tăia în piesa de prelucrat. După ce marginea discului a fost rotunjită prin utilizare, discul poate fi utilizat atât în direcția înainte, cât și în direcția înapoi.

Operarea cu disc de retezare abraziv/disc de diamant

Accesorii opționale

⚠️ AVERTIZARE: Atunci când utilizați un disc abraziv pentru retezat/disc de diamant, asigurați-vă că utilizați doar apărătoarele pentru disc proiectate special pentru a fi utilizate împreună cu discuri abrazive de retezat.

(În unele țări europene, la utilizarea unui disc de diamant, poate fi utilizată o apărătoare obișnuită. Respectați reglementările din țara dumneavoastră.)

⚠️ AVERTIZARE: NU utilizați niciodată discul abraziv de retezat la polizarea laterală.

⚠️ AVERTIZARE: Nu „înțepeniți” discul și nici nu aplicați o presiune excesivă. Nu încercați să executați o adâncime excesivă a tăieturii. Supratensionarea discului mărește sarcina și susceptibilitatea de a torsiona sau a de a înțepeni discul în tăietură și posibilitatea de recul, spargerea discului și supraîncălzirea motorului.

⚠️ AVERTIZARE: Nu porniți operația de retezare în piesa de prelucrat. Lăsați discul să ajungă la viteza maximă și pătrundeți cu atenție în tăietură prin mutarea sculei spre înainte pe suprafața piesei de prelucrat. Discul se poate înțepeni, se poate deplasa în sus sau poate provoca un recul dacă mașina electrică este repornită în piesa de lucru.

⚠️ AVERTIZARE: În timpul operațiilor de retezare, nu schimbați niciodată unghiul discului. Aplicarea unei presiuni laterale asupra discului abraziv de retezat (ca la polizare) va cauza fisurarea și spargerea discului, producând leziuni grave.

⚠️ AVERTIZARE: Discul de diamant va fi operat perpendicular pe materialul de tăiat.

- **Fig. 12:** 1. Contrapiuliță 2. Disc abraziv de retezat / disc de diamant 3. Flanșă interioară 4. Apărătoare pentru disc abraziv de retezat/disc de diamant

Pentru montare, urmați instrucțiunile pentru discul cu centru depresat.

Diracția de montare a contrapiuliței și a flanșei interioare variază în funcție de tipul și de grosimea discului.

Consultați figurile următoare.

Pentru modelul de 100 mm (4")

La instalarea discului abraziv de retezat:

- **Fig. 13:** 1. Contrapiuliță 2. Disc abraziv de retezat (mai subțire 4 mm (5/32")) 3. Disc abraziv de retezat (4 mm (5/32")) sau mai gros) 4. Flanșă interioară

La instalarea discului diamantat:

- **Fig. 14:** 1. Contrapiuliță 2. Disc diamantat (mai subțire 4 mm (5/32")) 3. Disc diamantat (4 mm (5/32")) sau mai subțire) 4. Flanșă interioară

Pentru modelul de 115 mm (4 - 1/2") / 125 mm (5")

La instalarea discului abraziv de retezat:

- **Fig. 15:** 1. Contrapiuliță 2. Disc abraziv de retezat (mai subțire 4 mm (5/32")) 3. Disc abraziv de retezat (4 mm (5/32")) sau mai gros) 4. Flanșă interioară

La instalarea discului diamantat:

- **Fig. 16:** 1. Contrapiuliță 2. Disc diamantat (mai subțire 4 mm (5/32")) 3. Disc diamantat (4 mm (5/32")) sau mai subțire) 4. Flanșă interioară

Utilizarea cu peria oală de sârmă

Accesorii opționale

⚠️ ATENȚIE: Verificați operarea periei prin rotirea uneltei fără sarcină, asigurându-vă că nu se află nimeni în fața sau în linie cu peria.

⚠️ ATENȚIE: Nu utilizați o perie care este deteriorată sau neechilibrată. Utilizarea unei perii deteriorate poate crește potențialul de accidentare prin contact cu sârmele periei deteriorate.

- **Fig. 17:** 1. Perie oală de sârmă

Deconectați mașina și amplasați-o cu fața în jos pentru a permite accesul ușor la arbore.

Îndepărtați orice accesorii de pe arbore. Înfășurați peria oală de sârmă pe arbore și strângeți cu cheia furnizată.

NOTĂ: Evitați să aplicați o presiune prea mare care ar putea cauza îndoirea firelor la utilizarea periei. Aceasta poate duce la o rupere timpurie.

Utilizarea cu peria de disc din sârmă

Accesorii opționale

⚠️ ATENȚIE: Verificați operarea periei de disc din sârmă prin rotirea uneltei fără sarcină, asigurându-vă că nu se află nimeni în fața sau în linie cu peria de disc din sârmă.

⚠️ ATENȚIE: Nu utilizați o perie de disc din sârmă care este deteriorată sau neechilibrată. Utilizarea unei perii de disc din sârmă deteriorate poate mări pericolul de accidentare prin contact cu sârmele deteriorate.

⚠️ ATENȚIE: Protejați-vă ÎNTOTDEAUNA față de periele de disc din sârmă, asigurându-vă că diametrul discului se încadrează în interiorul apărătoării. Discul se poate sparge în timpul utilizării, iar apărătoarea ajută la reducerea riscului de vătămare.

- **Fig. 18:** 1. Perie de disc din sârmă

Deconectați mașina și amplasați-o cu fața în jos pentru a permite accesul ușor la arbore.

Îndepărtați orice accesorii de pe arbore. Înfășurați peria de disc din sârmă pe arbore și strângeți cu cheia furnizată.

NOTĂ: Evitați să aplicați o presiune prea mare care ar putea cauza îndoirea firelor la utilizarea periei de disc din sârmă. Aceasta poate duce la o rupere timpurie.

ÎNȚREȚINERE

ATENȚIE: Asigurați-vă că ați oprit mașina și că ați deconectat-o de la rețea înainte de a efectua operațiuni de inspecție sau întreținere.

NOTĂ: Nu utilizați niciodată gazolină, benzină, diluant, alcool sau alte substanțe asemănătoare. În caz contrar, pot rezulta decolorări, deformări sau fisuri.

Curățarea fanțelor de ventilație

Mașina și fanțele sale de ventilație trebuie păstrate curate. Curățați fanțele de ventilație ale mașinii în mod regulat sau ori de câte ori devin îmbăcsite.

► Fig.19: 1. Fantă de evacuare 2. Fantă de aspirație

Pentru a menține SIGURANȚA și FIABILITATEA produsului, reparațiile și orice alte lucrări de întreținere sau reglare trebuie executate de centre de service Makita autorizate sau proprii, folosind întotdeauna piese de schimb Makita.

ACCESORII OPȚIONALE

ATENȚIE: Folosiți accesoriile sau piesele auxiliare recomandate pentru mașina dumneavoastră Makita în acest manual. Utilizarea oricăror alte accesorii sau piese auxiliare poate prezenta risc de vătămare corporală. Utilizați accesorii și piesele auxiliare numai în scopul destinat.

Dacă aveți nevoie de asistență sau de mai multe detalii referitoare la aceste accesorii, adresați-vă centrului local de service Makita.

► Fig.20

-	Model 100 mm (4")	Model 115 mm (4-1/2")	Model 125 mm (5")
1	Mâner 36		
2	Apărătoare pentru disc (pentru disc abraziv)		
3	Flanșă interioară	Flanșă interioară sau flanșă super	
4	Disc cu centru depresat/disc lamelar		
5	Contrapiuliță		
6	Taler suport		
7	Disc flexibil		
8	Taler de cauciuc 76	Taler de cauciuc 100	Taler de cauciuc 115
9	Disc abraziv		
10	Contrapiuliță de presare		
11	Perie de disc din sârmă		
12	Perie oală de sârmă		
13	Apărătoare pentru disc (pentru discul abraziv de rețezat) *1		
14	Disc abraziv de rețezat / disc de diamant		
-	Cheie pentru contrapiuliță		

NOTĂ: *1 În unele țări europene, la utilizarea unui disc de diamant, poate fi utilizată o apărătoare obișnuită poate fi utilizată în locul apărătorii speciale acoperind ambele părți ale discului. Respectați reglementările din țara dumneavoastră.

NOTĂ: Unele articole din listă pot fi incluse ca accesorii standard în ambalajul de scule. Acestea pot diferi în funcție de țară.

TECHNISCHE DATEN

Modell:	GA4030R	GA4530R	GA5030R
Scheibendurchmesser	100 mm	115 mm	125 mm
Max. Scheibendicke	6,4 mm	7,2 mm	
Spindelgewinde	M10	M14 oder 5/8" (länderspezifisch)	
Nenn Drehzahl (n)	11.000 min ⁻¹		
Gesamtlänge	266 mm		
Nettogewicht	1,7 kg	1,8 kg	
Sicherheitsklasse	□/II		

- Wir behalten uns vor, Änderungen der technischen Daten im Zuge der Entwicklung und des technischen Fortschritts ohne vorherige Ankündigung vorzunehmen.
- Die technischen Daten können von Land zu Land unterschiedlich sein.
- Gewicht nach EPTA-Verfahren 01/2003

Vorgesehene Verwendung

Das Werkzeug ist für das Schleifen, Schmirlgeln und Schneiden von Metall- und Steinmaterial ohne den Gebrauch von Wasser vorgesehen.

Stromversorgung

Das Werkzeug sollte nur an eine Stromquelle angeschlossen werden, deren Spannung mit der Angabe auf dem Typenschild übereinstimmt, und kann nur mit Einphasen-Wechselstrom betrieben werden. Diese sind doppelt schutzisoliert und können daher auch an Steckdosen ohne Erdleiter verwendet werden.

Geräusch

Typischer A-bewerteter Geräuschpegel ermittelt gemäß EN60745:

Schalldruckpegel (L_{pA}): 85 dB (A)
 Schallleistungspegel (L_{WA}): 96 dB (A)
 Messunsicherheit (K): 3 dB (A)

⚠️ WARNUNG: Einen Gehörschutz tragen.

Schwingungen

Schwingungsgesamtwert (Drei-Achsen-Vektorsumme) ermittelt gemäß EN60745:

Modell GA4030R

Arbeitsmodus: Oberflächenschleifen
 Vibrationsemission (a_{h,AG}): 7,0 m/s²
 Messunsicherheit (K): 1,5 m/s²
 Arbeitsmodus: Scheibenschleifen
 Vibrationsemission (a_{h,DS}): 2,5 m/s² oder weniger
 Messunsicherheit (K): 1,5 m/s²

Modell GA4530R

Arbeitsmodus: Oberflächenschleifen
 Vibrationsemission (a_{h,AG}): 7,5 m/s²
 Messunsicherheit (K): 1,5 m/s²
 Arbeitsmodus: Scheibenschleifen
 Vibrationsemission (a_{h,DS}): 2,5 m/s² oder weniger
 Messunsicherheit (K): 1,5 m/s²

Modell GA5030R

Arbeitsmodus: Oberflächenschleifen
 Vibrationsemission (a_{h,AG}): 8,5 m/s²
 Messunsicherheit (K): 1,5 m/s²
 Arbeitsmodus: Scheibenschleifen
 Vibrationsemission (a_{h,DS}): 2,5 m/s² oder weniger
 Messunsicherheit (K): 1,5 m/s²

HINWEIS: Der angegebene Schwingungsemissionswert wurde im Einklang mit der Standardprüfmethode gemessen und kann für den Vergleich zwischen Werkzeugen herangezogen werden.

HINWEIS: Der angegebene Schwingungsemissionswert kann auch für eine Vorbewertung des Gefährdungsgrads verwendet werden.

⚠️ WARNUNG: Die Schwingungsemission während der tatsächlichen Benutzung des Elektrowerkzeugs kann je nach der Benutzungsweise des Werkzeugs vom angegebenen Emissionswert abweichen.

⚠️ WARNUNG: Identifizieren Sie Sicherheitsmaßnahmen zum Schutz des Benutzers anhand einer Schätzung des Gefährdungsgrads unter den tatsächlichen Benutzungsbedingungen (unter Berücksichtigung aller Phasen des Arbeitszyklus, wie z. B. Ausschalt- und Leerlaufzeiten des Werkzeugs zusätzlich zur Betriebszeit).

⚠️ WARNUNG: Der angegebene Schwingungsemissionswert wird für Hauptanwendungen des Elektrowerkzeugs verwendet. Wird das Elektrowerkzeug jedoch für andere Anwendungen verwendet, kann der Schwingungsemissionswert abweichen.

EG-Konformitätserklärung

Nur für europäische Länder

Makita erklärt, dass die folgende(n) Maschine(n):
 Bezeichnung der Maschine: Winkelschleifer
 Modell-Nr./Typ: GA4030R, GA4530R, GA5030R
 Entspricht den folgenden europäischen Richtlinien:
 2006/42/EG

Sie werden gemäß den folgenden Standards oder standardisierten Dokumenten hergestellt: EN60745

Die technische Akte in Übereinstimmung mit 2006/42/EG ist erhältlich von:
Makita, Jan-Baptist Vinkstraat 2, 3070, Belgien
2.6.2015



Yasushi Fukaya
Direktor
Makita, Jan-Baptist Vinkstraat 2, 3070, Belgien

Allgemeine Sicherheitswarnungen für Elektrowerkzeuge

⚠️ WARNUNG: Lesen Sie alle Sicherheitswarnungen und Anweisungen durch. Eine Missachtung der unten aufgeführten Warnungen und Anweisungen kann zu einem elektrischen Schlag, Brand und/oder schweren Verletzungen führen.

Bewahren Sie alle Warnungen und Anweisungen für spätere Bezugnahme auf.

Der Ausdruck „Elektrowerkzeug“ in den Warnhinweisen bezieht sich auf Ihr mit Netzstrom (mit Kabel) oder Akku (ohne Kabel) betriebenes Elektrowerkzeug.

Sicherheitswarnungen für Schleifmaschine

Allgemeine Sicherheitswarnungen für Schleif-, Schmirgel-, Drahtbürsten- oder Trennschleifbetrieb:

- Dieses Elektrowerkzeug ist für Schleifen, Schmirgeln, Drahtbürsten oder Trennschleifen vorgesehen. Lesen Sie alle mit diesem Elektrowerkzeug gelieferten Sicherheitswarnungen, Anweisungen, Abbildungen und technischen Daten durch.** Eine Missachtung der unten aufgeführten Anweisungen kann zu einem elektrischen Schlag, Brand und/oder schweren Verletzungen führen.
 - Arbeiten, wie Polieren, sind mit diesem Elektrowerkzeug nicht zu empfehlen.** Benutzungsweisen, für die das Elektrowerkzeug nicht ausgelegt ist, können Gefahren erzeugen und Personenschäden verursachen.
 - Verwenden Sie kein Zubehör, das nicht speziell vom Werkzeughersteller vorgesehen ist und empfohlen wird.** Die bloße Tatsache, dass ein Zubehörteil an Ihrem Elektrowerkzeug angebracht werden kann, gewährleistet noch keinen sicheren Betrieb.
 - Die Nenndrehzahl des Zubehörteils muss mindestens der am Elektrowerkzeug angegebenen Maximaldrehzahl entsprechen.** Zubehörteile, die schneller als ihre Nenndrehzahl rotieren, können bersten und auseinander fliegen.
 - Außendurchmesser und Dicke des Zubehörteils müssen innerhalb der Kapazitätsgrenzen Ihres Elektrowerkzeugs liegen.** Zubehörteile der falschen Größe können nicht angemessen geschützt oder kontrolliert werden.
- Die Gewindehalterung von Zubehörteilen muss genau dem Spindelgewinde der Schleifmaschine entsprechen.** Bei Zubehörteilen, die durch Flansche montiert werden, muss die Spindelbohrung dem Positionierdurchmesser des Flansches angepasst sein. Zubehörteile, die nicht genau auf den Montageflansch des Elektrowerkzeugs passen, laufen unruhig, vibrieren übermäßig und können einen Verlust der Kontrolle verursachen.
 - Verwenden Sie keine beschädigten Zubehörteile. Überprüfen Sie die Zubehörteile vor jedem Gebrauch:** z. B. Schleifscheiben auf Abspaltungen und Risse, Schleifteller auf Risse, Brüche oder übermäßigen Verschleiß, Drahtbürsten auf lose oder rissige Drähte. Falls das Elektrowerkzeug oder das Zubehörteil herunterfällt, überprüfen Sie es auf Beschädigung, oder montieren Sie ein unbeschädigtes Zubehörteil. Achten Sie nach der Überprüfung und Installation eines Zubehörteils darauf, dass Sie selbst und Umstehende nicht in der Rotationsebene des Zubehörteils stehen, und lassen Sie das Elektrowerkzeug eine Minute lang mit maximaler Leerlaufdrehzahl laufen. Ein beschädigtes Zubehörteil bricht normalerweise während dieses Probelaufs auseinander.
 - Tragen Sie Schutzausrüstung. Benutzen Sie je nach der Arbeit einen Gesichtsschutz bzw. eine Sicherheits- oder Schutzbrille. Tragen Sie bei Bedarf eine Staubmaske, Ohrenschützer, Handschuhe und eine Arbeitsschürze, die in der Lage ist, kleine Schleifpartikel oder Werkstücksplitter abzuwehren.** Der Augenschutz muss in der Lage sein, den bei verschiedenen Arbeiten anfallenden Flugstaub abzuwehren. Die Staubmaske oder Atemschutzmaske muss in der Lage sein, durch die Arbeit erzeugte Partikel herauszufiltern. Lang anhaltende Lärmbelastung kann zu Gehörschäden führen.
 - Halten Sie Umstehende in sicherem Abstand vom Arbeitsbereich. Jeder, der den Arbeitsbereich betritt, muss persönliche Schutzausrüstung tragen.** Bruchstücke des Werkstücks oder eines beschädigten Zubehörteils können weggeschleudert werden und Verletzungen über den unmittelbaren Arbeitsbereich hinaus verursachen.
 - Halten Sie das Elektrowerkzeug nur an den isolierten Griffflächen, wenn Sie Arbeiten ausführen, bei denen die Gefahr besteht, dass das Schneidzubehör verborgene Kabel oder das eigene Kabel kontaktiert.** Bei Kontakt mit einem Strom führenden Kabel können die freiliegenden Metallteile des Elektrowerkzeugs ebenfalls Strom führend werden, so dass der Benutzer einen elektrischen Schlag erleiden kann.
 - Halten Sie das Kabel vom rotierenden Zubehörteil fern.** Falls Sie die Kontrolle verlieren, kann das Kabel durchgetrennt oder erfasst werden, so dass Ihre Hand oder Ihr Arm in das rotierende Zubehörteil hineingezogen wird.
 - Legen Sie das Elektrowerkzeug erst ab, nachdem das Zubehörteil zum vollständigen Stillstand gekommen ist.** Anderenfalls kann das rotierende Zubehörteil die Oberfläche erfassen und das Elektrowerkzeug aus Ihren Händen reißen.

13. **Lassen Sie das Elektrowerkzeug nicht laufen, während Sie es an Ihrer Seite tragen.** Das rotierende Zubehörteil könnte sonst bei versehentlichem Kontakt Ihre Kleidung erfassen und auf Ihren Körper zu gezogen werden.
14. **Reinigen Sie die Ventilationsöffnungen des Elektrowerkzeugs regelmäßig.** Der Lüfter des Motors saugt Staub in das Gehäuse an, und starke Ablagerungen von Metallstaub können elektrische Gefahren verursachen.
15. **Betreiben Sie das Elektrowerkzeug nicht in der Nähe von brennbaren Materialien.** Funken könnten diese Materialien entzünden.
16. **Verwenden Sie keine Zubehörteile, die Kühlfüssigkeiten erfordern.** Die Verwendung von Wasser oder anderen Kühlfüssigkeiten kann zu einem Stromschlag führen.

Warnungen vor Rückschlag und damit zusammenhängenden Gefahren

Ein Rückschlag ist eine plötzliche Reaktion auf Klemmen oder Hängenbleiben der Schleifscheibe, des Schleiftellers, der Drahtbürste oder eines anderen Zubehörteils. Klemmen oder Hängenbleiben verursacht sofortiges Stocken des rotierenden Zubehörteils, was wiederum dazu führt, dass das außer Kontrolle geratene Elektrowerkzeug am Stockpunkt in die entgegengesetzte Drehrichtung des Zubehörs geschleudert wird. Wenn beispielsweise eine Schleifscheibe vom Werkstück erfasst oder eingeklemmt wird, kann sich die in den Klemmpunkt eindringende Schleifscheibenkante in die Materialoberfläche bohren, so dass sie herauspringt oder zurückschlägt. Je nach der Drehrichtung der Schleifscheibe am Klemmpunkt kann die Schleifscheibe auf die Bedienungsperson zu oder von ihr weg springen. Schleifscheiben können unter solchen Bedingungen auch brechen.

Rückschlag ist das Resultat falscher Handhabung des Elektrowerkzeugs und/oder falscher Arbeitsverfahren oder -bedingungen und kann durch Anwendung der nachstehenden Vorsichtsmaßnahmen vermieden werden.

1. **Halten Sie das Elektrowerkzeug mit festem Griff, und positionieren Sie Ihren Körper und Arm so, dass Sie die Rückschlagkräfte auffangen können. Benutzen Sie stets den Zusatzgriff, wenn vorhanden, um maximale Kontrolle über Rückschlag oder Drehbewegungen während des Anlaufs zu haben.** Drehbewegungen oder Rückschlagkräfte können kontrolliert werden, wenn entsprechende Vorkehrungen getroffen werden.
2. **Legen Sie Ihre Hand niemals in die Nähe des rotierenden Zubehörteils.** Bei einem Rückschlag könnte das Zubehörteil Ihre Hand verletzen.
3. **Stellen Sie sich nicht in den Bereich, in den das Elektrowerkzeug bei Auftreten eines Rückschlags geschleudert wird.** Der Rückschlag schleudert das Werkzeug am Stockpunkt in die entgegengesetzte Drehrichtung der Schleifscheibe.
4. **Lassen Sie beim Bearbeiten von Ecken und scharfen Kanten usw. besondere Vorsicht walten. Achten Sie darauf, dass das Zubehörteil nicht springt oder hängen bleibt.** Ecken, scharfe Kanten oder Anstoßen führen leicht zu Hängenbleiben des rotierenden Zubehörteils und verursachen Verlust der Kontrolle oder Rückschlag.

5. **Montieren Sie keine Sägeketten, Holzfräsen oder gezahnte Sägeblätter.** Solche Zubehörteile verursachen häufige Rückschläge und Verlust der Kontrolle.

Sicherheitswarnungen speziell für Schleif- und Trennschleifbetrieb:

1. **Verwenden Sie nur Schleifscheiben, die für Ihr Elektrowerkzeug empfohlen werden, und die für die ausgewählte Schleifscheibe vorgesehene Schutzhaube.** Schleifscheiben, die nicht für das Elektrowerkzeug geeignet sind, können nicht angemessen abgeschirmt werden und sind unsicher.
2. **Die Schleiffläche von gekrüppften Trennschleifscheiben muss unterhalb der Ebene der Schutzlippe montiert werden.** Eine falsch montierte Schleifscheibe, die über die Ebene der Schutzlippe hinausragt, kann nicht angemessen geschützt werden.
3. **Die Schutzhaube muss sicher am Elektrowerkzeug befestigt und für maximale Sicherheit positioniert werden, um den auf die Bedienungsperson gerichteten Schleifscheibenbetrag minimal zu halten.** Die Schutzhaube schützt den Bediener vor Schleifscheiben-Bruchstücken, versehentlichem Kontakt mit der Schleifscheibe und Funken, welche die Kleidung in Brand setzen könnten.
4. **Schleifscheiben dürfen nur für empfohlene Anwendungen eingesetzt werden. Zum Beispiel: Nicht mit der Seite einer Trennscheibe schleifen.** Trennschleifscheiben sind für Peripherieschleifen vorgesehen. Falls seitliche Kräfte auf diese Scheiben einwirken, können sie zerbrechen.
5. **Verwenden Sie stets unbeschädigte Scheibenflansche der korrekten Größe und Form für die ausgewählte Schleifscheibe.** Korrekte Scheibenflansche stützen die Schleifscheibe und reduzieren somit die Möglichkeit eines Scheibenbruchs. Flansche für Trennscheiben können sich von solchen für Schleifscheiben unterscheiden.
6. **Verwenden Sie keine abgenutzten Schleifscheiben von größeren Elektrowerkzeugen.** Schleifscheiben für größere Elektrowerkzeuge eignen sich nicht für die höhere Drehzahl eines kleineren Werkzeugs und können bersten.

Zusätzliche Sicherheitswarnungen speziell für Trennschleifbetrieb:

1. **Vermeiden Sie „Verkanten“ der Trennscheibe oder die Ausübung übermäßigen Drucks. Versuchen Sie nicht, übermäßig tiefe Schnitte zu machen.** Überbeanspruchung der Schleifscheibe erhöht die Belastung und die Empfänglichkeit für Verdrehen oder Klemmen der Schleifscheibe im Schnitt sowie die Möglichkeit von Rückschlag oder Scheibenbruch.
2. **Stellen Sie sich nicht so, dass sich Ihr Körper in einer Linie mit der rotierenden Schleifscheibe oder hinter dieser befindet.** Wenn sich die Schleifscheibe am Arbeitspunkt von Ihrem Körper weg bewegt, kann ein möglicher Rückschlag die rotierende Schleifscheibe und das Elektrowerkzeug direkt auf Sie zu schleudern.

3. Falls die Trennscheibe klemmt oder der Schnitt aus irgendeinem Grund unterbrochen wird, schalten Sie das Elektrowerkzeug aus und halten Sie es bewegungslos im Werkstück, bis die Trennscheibe zum völligen Stillstand kommt. Versuchen Sie auf keinen Fall, die rotierende Trennscheibe aus dem Schnitt zu entfernen, weil sonst ein Rückschlag auftreten kann. Nehmen Sie eine Überprüfung vor, und treffen Sie Abhilfemaßnahmen, um die Ursache von Trennscheiben-Klemmen zu beseitigen.
4. Setzen Sie den Schnittbetrieb nicht mit im Werkstück sitzender Trennscheibe fort. Führen Sie die Trennscheibe vorsichtig in den Schnitt ein, nachdem sie die volle Drehzahl erreicht hat. Wird das Elektrowerkzeug mit im Werkstück sitzender Trennscheibe eingeschaltet, kann die Trennscheibe klemmen, hochsteigen oder zurückschlagen.
5. Stützen Sie Platten oder andere übergroße Werkstücke ab, um die Gefahr von Klemmen oder Rückschlag der Trennscheibe zu minimieren. Große Werkstücke neigen dazu, unter ihrem Eigengewicht durchzuhängen. Die Stützen müssen beidseitig der Trennscheibe nahe der Schnittlinie und in der Nähe der Werkstückkante unter das Werkstück platziert werden.
6. Lassen Sie besondere Vorsicht walten, wenn Sie einen „Taschenschnitt“ in bestehende Wände oder andere Blindflächen durchführen. Die vorstehende Trennscheibe kann Gas- oder Wasserleitungen, Stromkabel oder Objekte durchschneiden, die Rückschlag verursachen können.
3. Achten Sie sorgfältig darauf, dass Spindel, Flansch (insbesondere die Ansatzfläche) und Sicherungsmutter nicht beschädigt werden. Eine Beschädigung dieser Teile kann zu einem Scheibenbruch führen.
4. Vergewissern Sie sich vor dem Einschalten des Werkzeugs, dass die Schleifscheibe nicht das Werkstück berührt.
5. Lassen Sie das Werkzeug vor der eigentlichen Bearbeitung eines Werkstücks eine Weile laufen. Achten Sie auf Vibrationen oder Taumelbewegungen, die Anzeichen für schlechte Montage oder eine schlecht ausgewuchtete Schleifscheibe sein können.
6. Verwenden Sie nur die vorgeschriebene Fläche der Schleifscheibe für Schleifarbeiten.
7. Lassen Sie das Werkzeug nicht unbeaufsichtigt laufen. Benutzen Sie das Werkzeug nur im handgeführten Einsatz.
8. Vermeiden Sie eine Berührung des Werkstücks unmittelbar nach der Bearbeitung, weil es dann noch sehr heiß ist und Hautverletzungen verursachen kann.
9. Befolgen Sie die Anweisungen des Herstellers für korrekte Montage und Verwendung von Schleifscheiben. Behandeln und lagern Sie Schleifscheiben mit Sorgfalt.
10. Verwenden Sie keine getrennten Reduzierbuchsen oder Adapter zur Anpassung von Schleifscheiben mit großem Lochdurchmesser.
11. Verwenden Sie nur die für dieses Werkzeug vorgeschriebenen Flansche.
12. Wenn eine Trennscheibe mit Gewindebohrung am Werkzeug montiert werden soll, achten Sie darauf, dass ihr Gewinde tief genug für die Spindellänge ist.
13. Vergewissern Sie sich, dass das Werkstück sicher abgestützt ist.
14. Beachten Sie, dass sich die Schleifscheibe nach dem Ausschalten des Werkzeugs noch weiterdreht.
15. Falls der Arbeitsplatz sehr heiß, feucht oder durch leitfähigen Staub stark verschmutzt ist, verwenden Sie einen Kurzschlusschalter (30 mA) zum Schutz des Bedieners.

Sicherheitswarnungen speziell für Schmirgelbetrieb:

1. Verwenden Sie keine übergroßen Schleifpapierscheiben. Befolgen Sie die Herstellerempfehlungen bei der Wahl des Schleifpapiers. Größeres Schleifpapier, das über den Schleifteller hinausragt, stellt eine Gefahr für Schnittwunden dar und kann Hängenbleiben oder Zerreißen der Schleifscheibe oder Rückschlag verursachen.

Sicherheitswarnungen speziell für Drahtbürstenbetrieb:

1. Beachten Sie, dass Drahtborsten auch bei normalem Betrieb von der Drahtbürste ausgeschleudert werden. Überbeanspruchen Sie die Drähte nicht durch Ausübung übermäßigen Drucks auf die Drahtbürste. Die Drahtborsten können ohne weiteres leichte Kleidung und/oder Haut durchdringen.
2. Wenn der Einsatz einer Schutzhaube für Drahtbürsten empfohlen wird, achten Sie darauf, dass die Drahtscheibe oder die Drahtbürste nicht mit der Schutzhaube in Berührung kommt. Der Durchmesser der Drahtscheibe oder Drahtbürste kann sich aufgrund der Arbeitslast und der Fliehkräfte vergrößern.

Zusätzliche Sicherheitswarnungen:

1. Verwenden Sie nur glasfaserverstärkte Scheiben als gekrüpfte Trennschleifscheiben.
2. Verwenden Sie NIEMALS Stein-Topfschleifscheiben mit dieser Schleifmaschine. Diese Schleifmaschine ist nicht für derartige Schleifscheiben ausgelegt, und der Gebrauch eines solchen Produkts kann zu schweren Personenschäden führen.

DIESE ANWEISUNGEN AUFBEWAHREN.

⚠️ WARNUNG: Lassen Sie sich NICHT durch Bequemlichkeit oder Vertrautheit mit dem Produkt (durch wiederholten Gebrauch erworben) von der strikten Einhaltung der Sicherheitsregeln für das vorliegende Produkt abhalten. MISSBRAUCH oder Missachtung der Sicherheitsvorschriften in dieser Anleitung können schwere Personenschäden verursachen.

FUNKTIONSBESCHREIBUNG

⚠ VORSICHT: Vergewissern Sie sich vor jeder Einstellung oder Funktionsprüfung des Werkzeugs stets, dass es ausgeschaltet und vom Stromnetz getrennt ist.

Spindelarretierung

Drücken Sie die Spindelarretierung, um die Spindel zum Montieren oder Demontieren von Zubehör zu blockieren.

► **Abb.1:** 1. Spindelarretierung

ANMERKUNG: Betätigen Sie die Spindelarretierung niemals bei rotierender Spindel. Das Werkzeug kann sonst beschädigt werden.

Schalterfunktion

⚠ VORSICHT: Vergewissern Sie sich vor dem Anschließen des Werkzeugs stets, dass der Schiebeschalter ordnungsgemäß funktioniert und beim Drücken der Rückseite in die AUS-Stellung zurückkehrt.

⚠ VORSICHT: Der Schalter kann zur Arbeitserleichterung bei längerem Einsatz in der EIN-Stellung verriegelt werden. Lassen Sie Vorsicht walten, wenn Sie den Schalter in der EIN-Stellung verriegeln, und halten Sie das Werkzeug mit festem Griff.

Zum Einschalten des Werkzeugs schieben Sie den Schalter auf die Position „I“ (EIN), indem Sie die Rückseite des Schiebeschalters drücken. Für Dauerbetrieb rasten Sie den Schalter durch Drücken seiner Vorderseite ein.

Zum Ausschalten des Werkzeugs die Rückseite des Schiebeschalters drücken, und dann den Schalter auf die Stellung „O“ (AUS) schieben.

► **Abb.2:** 1. Schiebeschalter

Schutz vor ungewolltem Neustart

Das Werkzeug läuft bei gesperrtem Schalter nicht an, selbst wenn der Netzstecker eingesteckt ist. Um den Schutz vor ungewolltem Neustart aufzuheben, stellen Sie den Hauptschalter wieder auf die Position AUS.

HINWEIS: Warten Sie länger als eine Sekunde, bevor Sie das Werkzeug wieder in Betrieb nehmen, wenn der Schutz vor ungewolltem Neustart aktiviert wird.

HINWEIS: Wenn das Werkzeug überlastet wird und seine Temperatur ein bestimmtes Niveau erreicht, kann es automatisch stehenbleiben. Lassen Sie das Werkzeug in dieser Situation abkühlen, bevor Sie es wieder einschalten.

Soft-Start-Funktion

Die Soft-Start-Funktion reduziert den Anlaufstoß.

MONTAGE

⚠ VORSICHT: Vergewissern Sie sich vor der Ausführung von Arbeiten am Werkzeug stets, dass es ausgeschaltet und vom Stromnetz getrennt ist.

Montieren des Seitengriffs (Handgriffs)

⚠ VORSICHT: Vergewissern Sie sich vor dem Betrieb stets, dass der Seitengriff einwandfrei montiert ist.

Schrauben Sie den Seitengriff an der in der Abbildung gezeigten Position fest an das Werkzeug.

► **Abb.3**

Montieren oder Demontieren der Schutzhaube (für gekröpfte Trennschleifscheibe, Fächerscheibe, Flexscheibe, Rotordrahtbürste / Trennschleifscheibe, Diamantscheibe)

⚠ WARNUNG: Wenn Sie eine gekröpfte Trennschleifscheibe, Fächerscheibe, Flexscheibe oder Rotordrahtbürste benutzen, muss die Schutzhaube so am Werkzeug angebracht werden, dass ihre geschlossene Seite immer zum Bediener gerichtet ist.

⚠ WARNUNG: Benutzen Sie beim Arbeiten mit einer Trennschleifscheibe/Diamantscheibe nur die spezielle Schutzhaube, die für den Einsatz mit Trennscheiben ausgelegt ist.

(In manchen europäischen Ländern kann bei Verwendung einer Diamantscheibe die gewöhnliche Schutzhaube benutzt werden. Befolgen Sie die Vorschriften in Ihrem Land.)

Für Werkzeug mit Schutzhaube des Sicherungsschraubentyps

Montieren Sie die Schutzhaube so, dass die Vorsprünge am Schutzhaubenring auf die Nuten im Lagergehäuse ausgerichtet sind. Drehen Sie dann die Schutzhaube auf einen Winkel, bei dem der Benutzer entsprechend der Arbeit optimal geschützt wird. Ziehen Sie die Schraube fest an.

Zum Demontieren der Schutzhaube ist das Montageverfahren umgekehrt anzuwenden.

► **Abb.4:** 1. Schutzhaube 2. Lagergehäuse 3. Schraube

Für Werkzeug mit Schutzhaube des Spannhebeltyps

Lösen Sie die Schraube, und ziehen Sie dann den Hebel in Pfeilrichtung. Montieren Sie die Schutzhaube so, dass die Vorsprünge am Schutzhaubenring auf die Nuten im Lagergehäuse ausgerichtet sind. Drehen Sie dann die Schutzhaube auf einen Winkel, bei dem der Benutzer entsprechend der Arbeit optimal geschützt wird.

► **Abb.5:** 1. Schutzhaube 2. Lagergehäuse
3. Schraube 4. Hebel

Ziehen Sie den Hebel in Pfeilrichtung. Sichern Sie dann die Schutzhaube durch Anziehen der Schraube. Ziehen Sie die Schraube fest an. Der Einstellwinkel der Schutzhaube kann mit dem Hebel eingestellt werden.

► **Abb.6:** 1. Schraube 2. Hebel

Zum Demontieren der Schutzhaube ist das Montageverfahren umgekehrt anzuwenden.

Montieren oder Demontieren einer gekröpften Trennschleifscheibe oder Fächerscheibe

Sonderzubehör

⚠️ WARNUNG: Wenn Sie eine gekröpfte Trennschleifscheibe oder Fächerscheibe benutzen, muss die Schutzhaube so am Werkzeug angebracht werden, dass ihre geschlossene Seite immer zum Bediener gerichtet ist.

⚠️ VORSICHT: Vergewissern Sie sich, dass der Montageteil des Innenflansches genau in den Innendurchmesser der gekröpften Trennschleifscheibe / Fächerscheibe passt. Die Montage des Innenflansches auf der falschen Seite kann zu gefährlichen Vibrationen führen.

Montieren Sie den Innenflansch an der Spindel. Vergewissern Sie sich, dass der gezahnte Teil des Innenflansches auf dem geraden Teil am unteren Ende der Spindel sitzt.

Passen Sie die gekröpfte Trennschleifscheibe / Fächerscheibe auf den Innenflansch, und schrauben Sie die Sicherungsmutter auf die Spindel.

► **Abb.7:** 1. Sicherungsmutter 2. Gekröpfte Trennschleifscheibe 3. Innenflansch
4. Montageteil

Zum Anziehen der Sicherungsmutter die Spindelarreterierung drücken, um die Spindel zu blockieren; dann die Mutter mit dem Sicherungsmutterschlüssel im Uhrzeigersinn anziehen.

► **Abb.8:** 1. Sicherungsmutterschlüssel
2. Spindelarreterierung

Zum Demontieren der Schleifscheibe ist das Montageverfahren umgekehrt anzuwenden.

Superflansch

Sonderzubehör

Nur für Modelle mit M14-Spindelgewinde.

Modelle mit dem Buchstaben F sind standardmäßig mit einem Superflansch ausgestattet. Im Gegensatz zum herkömmlichen Typ wird nur 1/3 des Kraftaufwands zum Lösen der Sicherungsmutter benötigt.

Anbringen oder Abnehmen einer Flexscheibe

Sonderzubehör

⚠️ WARNUNG: Benutzen Sie immer die mitgelieferte Schutzhaube, wenn eine Flexscheibe am Werkzeug montiert ist. Die Schutzhaube reduziert die Gefahr von Personenschäden, falls die Scheibe während des Betriebs zerbricht.

► **Abb.9:** 1. Sicherungsmutter 2. Flexscheibe
3. Stützteller 4. Innenflansch

Folgen Sie den Anweisungen für eine gekröpfte Trennschleifscheibe, aber benutzen Sie auch eine Stützteller auf der Schleifscheibe. Die Montagereihenfolge ist auf der Zubehörseite in dieser Anleitung ersichtlich.

Anbringen oder Abnehmen eines Schleifblatts

Sonderzubehör

► **Abb.10:** 1. Schleifscheiben-Sicherungsmutter
2. Schleifblatt 3. Gummiteller

1. Montieren Sie den Gummiteller an der Spindel.
2. Setzen Sie das Schleifblatt auf den Gummiteller, und schrauben Sie die Schleifscheiben-Sicherungsmutter auf die Spindel.
3. Halten Sie die Spindel mit der Spindelarreterierung, und ziehen Sie die Schleifscheiben-Sicherungsmutter mit dem Sicherungsmutterschlüssel im Uhrzeigersinn fest.

Zum Demontieren des Schleifblatts ist das Montageverfahren umgekehrt anzuwenden.

HINWEIS: Verwenden Sie die in dieser Anleitung angegebenen Schleifer-Zubehörteile. Diese Teile müssen getrennt gekauft werden.

BETRIEB

⚠️ WARNUNG: Das Werkzeug darf auf keinen Fall gewaltsam angedrückt werden. Das Eigengewicht des Werkzeugs übt ausreichenden Druck aus. Gewaltanwendung und übermäßiger Druck können zu einem gefährlichen Schleifscheibenbruch führen.

⚠️ WARNUNG: Wechseln Sie die Schleifscheibe **IMMER** aus, falls das Werkzeug während der Schleifarbeit fallen gelassen wurde.

⚠️ WARNUNG: Eine Schleif- oder Trennscheibe darf **NIEMALS** gegen das Werkstück geschlagen oder gestoßen werden.

⚠️ WARNUNG: Achten Sie besonders beim Bearbeiten von Ecken, scharfen Kanten usw. darauf, dass die Schleifscheibe nicht springt oder hängen bleibt. Dies kann den Verlust der Kontrolle und Rückschläge verursachen.

⚠️ WARNUNG: Verwenden Sie das Werkzeug **NIEMALS** mit Holz- und anderen Sägeblättern. Solche Sägeblätter verursachen bei Verwendung an einer Schleifmaschine häufiges Rückschlagen und Verlust der Kontrolle, was zu Verletzungen führen kann.

⚠️ VORSICHT: Schalten Sie das Werkzeug niemals ein, wenn es mit dem Werkstück in Berührung ist, weil sonst Verletzungsgefahr für die Bedienungsperson besteht.

⚠️ VORSICHT: Tragen Sie bei der Arbeit stets eine Schutzbrille oder einen Gesichtsschutz.

⚠️ VORSICHT: Schalten Sie das Werkzeug nach der Arbeit stets aus, und warten Sie, bis die Schleifscheibe zum völligen Stillstand gekommen ist, bevor Sie das Werkzeug ablegen.

⚠️ VORSICHT: Halten Sie das Werkzeug **IMMER** mit einer Hand am Gehäuse und mit der anderen am Seitengriff (Handgriff) fest.

Schleif- und Schmirgelbetrieb

► Abb.11

Schalten Sie das Werkzeug ein, und setzen Sie dann die Trenn- oder Schleifscheibe an das Werkstück an. Halten Sie die Trenn- oder Schleifscheibe im Allgemeinen in einem Winkel von etwa 15° zur Werkstückoberfläche.

Bewegen Sie die Schleifmaschine beim Einschleifen einer neuen Schleifscheibe nicht in Vorwärtsrichtung, weil die Schleifscheibe sonst in das Werkstück einschneiden kann. Sobald die Schleifscheibenkante durch Gebrauch abgerundet ist, kann die Schleifscheibe sowohl in Vorwärts- als auch in Rückwärtsrichtung bewegt werden.

Betrieb mit Trennschleifscheibe / Diamantscheibe

Sonderzubehör

⚠️ WARNUNG: Benutzen Sie beim Arbeiten mit einer Trennschleifscheibe/Diamantscheibe nur die spezielle Schutzhaube, die für den Einsatz mit Trennscheiben ausgelegt ist.

(In manchen europäischen Ländern kann bei Verwendung einer Diamantscheibe die gewöhnliche Schutzhaube benutzt werden. Befolgen Sie die Vorschriften in Ihrem Land.)

⚠️ WARNUNG: Benutzen Sie Trennscheiben **NIEMALS** für Seitenschleifen.

⚠️ WARNUNG: Vermeiden Sie „Verkanten“ der Trennscheibe oder die Ausübung übermäßigen Drucks. Versuchen Sie nicht, übermäßig tiefe Schnitte zu machen. Überbeanspruchung der Trennscheibe erhöht die Belastung und die Empfänglichkeit für Verdrehen oder Klemmen der Trennscheibe im Schnitt sowie die Möglichkeit von Rückschlag, Scheibenbruch und Überhitzung des Motors.

⚠️ WARNUNG: Starten Sie den Schnittbetrieb nicht mit im Werkstück sitzender Trennscheibe. Warten Sie, bis die Trennscheibe ihre volle Drehzahl erreicht hat, bevor Sie sie vorsichtig in den Schnitt senken und das Werkzeug über die Werkstückoberfläche vorschieben. Wird das Elektrowerkzeug mit im Werkstück sitzender Trennscheibe eingeschaltet, kann die Trennscheibe klemmen, hochsteigen oder zurückschlagen.

⚠️ WARNUNG: Ändern Sie während der Schneidarbeiten niemals den Winkel der Trennscheibe. Die Ausübung von Seitendruck auf die Trennscheibe (wie beim Schleifen) verursacht Reißen und Brechen der Trennscheibe, was schwere Personenschäden zur Folge haben kann.

⚠️ WARNUNG: Eine Diamantscheibe muss senkrecht zum Werkstückmaterial angesetzt werden.

- **Abb.12:**
1. Sicherungsmutter
 2. Trennschleifscheibe / Diamantscheibe
 3. Innenflansch
 4. Schutzhaube für Trennschleifscheibe / Diamantscheibe

Befolgen Sie zur Montage die Anweisungen für gekrüpfte Trennschleifscheibe.

Die Montagerichtung der Sicherungsmutter und des Innenflansches hängt vom Scheibentyp und der Scheibendicke ab.

Siehe die nachstehenden Abbildungen.

Für 100-mm-Modell

Bei Montage einer Trennschleifscheibe:

- **Abb.13:**
1. Sicherungsmutter
 2. Trennschleifscheibe (dünner als 4 mm)
 3. Trennschleifscheibe (4 mm oder dicker)
 4. Innenflansch

Bei Montage einer Diamantscheibe:

- **Abb.14:** 1. Sicherungsmutter 2. Diamantscheibe (dünner als 4 mm) 3. Diamantscheibe (4 mm oder dicker) 4. Innenflansch

Für 115-mm- / 125-mm-Modell

Bei Montage einer Trennschleifscheibe:

- **Abb.15:** 1. Sicherungsmutter
2. Trennschleifscheibe (dünner als 4 mm)
3. Trennschleifscheibe (4 mm oder dicker)
4. Innenflansch

Bei Montage einer Diamantscheibe:

- **Abb.16:** 1. Sicherungsmutter 2. Diamantscheibe (dünner als 4 mm) 3. Diamantscheibe (4 mm oder dicker) 4. Innenflansch

Betrieb mit Topfdrabtbürste

Sonderzubehör

⚠ VORSICHT: Überprüfen Sie den Betrieb der Bürste, indem Sie das Werkzeug bei Nulllast laufen lassen und sicherstellen, dass sich niemand vor der Bürste oder in ihrer Linie befindet.

⚠ VORSICHT: Verwenden Sie keine beschädigte oder unausgewuchtete Bürste. Bei Verwendung einer beschädigten Bürste ist das Verletzungspotenzial durch Kontakt mit gebrochenen Bürstendrähten größer.

- **Abb.17:** 1. Topfdrabtbürste

Trennen Sie das Werkzeug vom Stromnetz, und legen Sie es umgedreht hin, um leichten Zugang zur Spindel zu ermöglichen.

Entfernen Sie sämtliches Zubehör von der Spindel. Schrauben Sie die Topfdrabtbürste auf die Spindel, und ziehen Sie sie mit dem mitgelieferten Schraubenschlüssel fest.

ANMERKUNG: Vermeiden Sie übermäßige Druckausübung, die Verbiegung der Drähte bei Benutzung der Bürste verursacht. Dies kann zu vorzeitigem Brechen führen.

Betrieb mit Rotordrabtbürste

Sonderzubehör

⚠ VORSICHT: Überprüfen Sie den Betrieb der Rotordrabtbürste, indem Sie das Werkzeug bei Nulllast laufen lassen und sicherstellen, dass sich niemand vor der Rotordrabtbürste oder in ihrer Linie befindet.

⚠ VORSICHT: Verwenden Sie keine beschädigte oder unausgewuchtete Rotordrabtbürste. Bei Verwendung einer beschädigten Rotordrabtbürste ist das Verletzungspotenzial durch Kontakt mit gebrochenen Bürstendrähten größer.

⚠ VORSICHT: Verwenden Sie Rotordrabtbürsten IMMER mit einer Schutzhaube, die groß genug für den Rotordurchmesser ist. Die Schutzhaube reduziert die Gefahr von Personenschäden, falls die Rotordrabtbürste während des Betriebs zerbricht.

- **Abb.18:** 1. Rotordrabtbürste

Trennen Sie das Werkzeug vom Stromnetz, und legen Sie es umgedreht hin, um leichten Zugang zur Spindel zu ermöglichen.

Entfernen Sie sämtliches Zubehör von der Spindel. Die Rotordrabtbürste auf die Spindel schrauben und mit den Schraubenschlüsseln festziehen.

ANMERKUNG: Vermeiden Sie übermäßige Druckausübung, die Verbiegung der Drähte bei Benutzung der Rotordrabtbürste verursacht. Dies kann zu vorzeitigem Brechen führen.

WARTUNG

⚠ VORSICHT: Vergewissern Sie sich vor der Durchführung von Überprüfungen oder Wartungsarbeiten des Werkzeugs stets, dass es ausgeschaltet und vom Stromnetz getrennt ist.

ANMERKUNG: Verwenden Sie auf keinen Fall Benzin, Waschbenzin, Verdünner, Alkohol oder dergleichen. Solche Mittel können Verfärbung, Verformung oder Rissbildung verursachen.

Reinigung der Ventilationsöffnungen

Halten Sie das Werkzeug und seine Ventilationsöffnungen stets sauber. Reinigen Sie die Ventilationsöffnungen des Werkzeugs regelmäßig oder im Anfangsstadium einer Verstopfung.

- **Abb.19:** 1. Auslassöffnung 2. Einlassöffnung

Um die SICHERHEIT und ZUVERLÄSSIGKEIT dieses Produkts zu gewährleisten, sollten Reparaturen und andere Wartungs- oder Einstellarbeiten nur von Makita-Vertragswerkstätten oder Makita-Kundendienstzentren unter ausschließlicher Verwendung von Makita-Originalersatzteilen ausgeführt werden.

SONDERZUBEHÖR

⚠ VORSICHT: Die folgenden Zubehörteile oder Vorrichtungen werden für den Einsatz mit dem in dieser Anleitung beschriebenen Makita-Werkzeug empfohlen. Die Verwendung anderer Zubehörteile oder Vorrichtungen kann eine Verletzungsgefahr darstellen. Verwenden Sie Zubehörteile oder Vorrichtungen nur für ihren vorgesehenen Zweck.

Wenn Sie weitere Einzelheiten bezüglich dieser Zubehörteile benötigen, wenden Sie sich bitte an Ihre Makita-Kundendienststelle.

► **Abb.20**

-	100-mm-Modell	115-mm-Modell	125-mm-Modell
1	Griff 36		
2	Schutzhaube (für Schleifscheibe)		
3	Innenflansch	Innenflansch / Superflansch	
4	Gekröpfte Trennschleifscheibe / Fächerscheibe		
5	Sicherungsmutter		
6	Stützteller		
7	Flexscheibe		
8	Gummiteller 76	Gummiteller 100	Gummiteller 115
9	Schleifblatt		
10	Schleifscheiben-Sicherungsmutter		
11	Rotordrahtbürste		
12	Topfdrahtbürste		
13	Schutzhaube (für Trennscheibe) *1		
14	Trennschleifscheibe / Diamantscheibe		
-	Sicherungsmutterschlüssel		

HINWEIS: *1 In manchen europäischen Ländern kann bei Verwendung einer Diamantscheibe die gewöhnliche Schutzhaube anstelle der Spezialschutzhaube verwendet werden, die beide Seiten der Schleifscheibe abdeckt. Befolgen Sie die Vorschriften in Ihrem Land.

HINWEIS: Manche Teile in der Liste können als Standardzubehör im Werkzeugsatz enthalten sein. Sie können von Land zu Land unterschiedlich sein.

Makita Europe N.V. Jan-Baptist Vinkstraat 2,
3070 Kortenberg, Belgium

Makita Corporation 3-11-8, Sumiyoshi-cho,
Anjo, Aichi 446-8502 Japan

www.makita.com

885462A974 EN, PL, HU, SK, CS, UK, RO, DE 20160708
