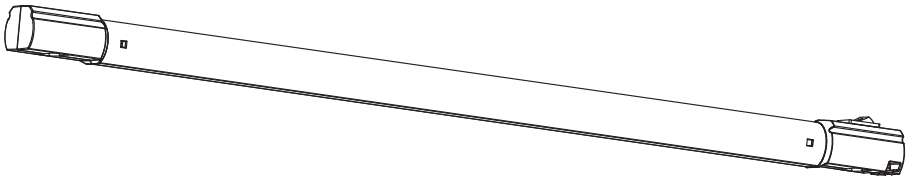
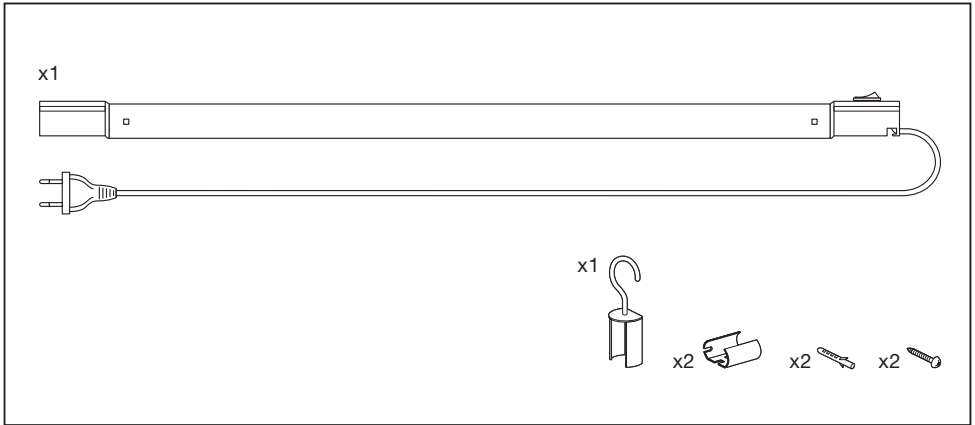

TUBEKIT® LED



	EAN	W	lm	K	⊖ °C	V _{ac}	mA	Hz	PF	👤
TUBEKITLED06 8.9W/830 230V G5	4058075264991	8.9	900	3000	-20...+40	220-240	42	50/60	>0.9	200 g
TUBEKITLED06 8.9W/840 230V G5	4058075265011	8.9	990	4000	-20...+40	220-240	42	50/60	>0.9	200 g
TUBEKITLED12 19W/830 230V G5	4058075265035	19	1900	3000	-20...+40	220-240	82	50/60	>0.9	280 g
TUBEKITLED12 19W/840 230V G5	4058075265059	19	2090	4000	-20...+40	220-240	82	50/60	>0.9	280 g
TUBEKITLED15 21,5W/830 230V G5	4058075265073	21.5	2150	3000	-20...+40	220-240	92	50/60	>0.9	320 g
TUBEKITLED15 21,5W/840 230V G5	4058075265097	21.5	2365	4000	-20...+40	220-240	92	50/60	>0.9	320 g



mm

L

1800 mm

W

H

41.9 mm

113.5 mm

1 x

28 mm

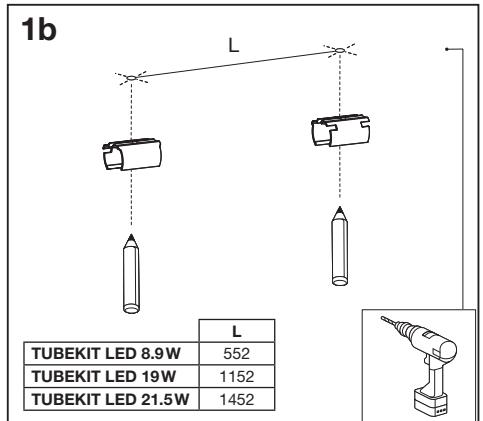
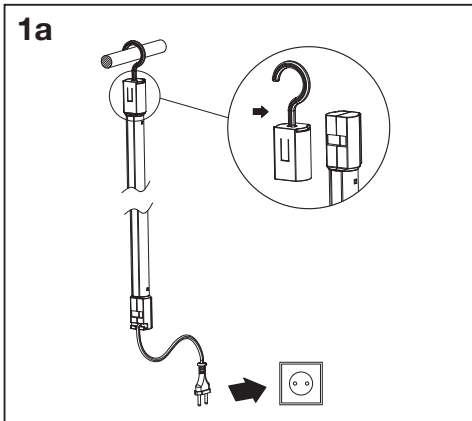
35 mm

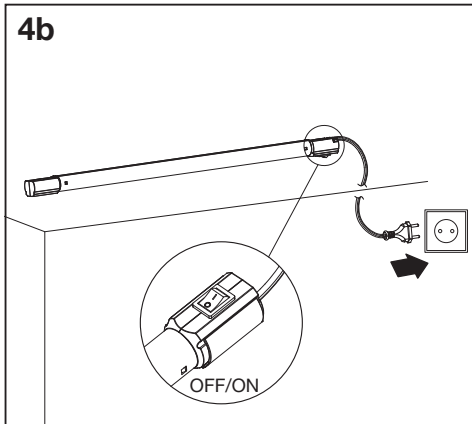
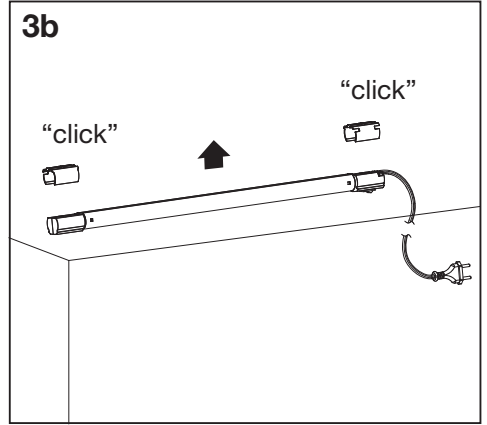
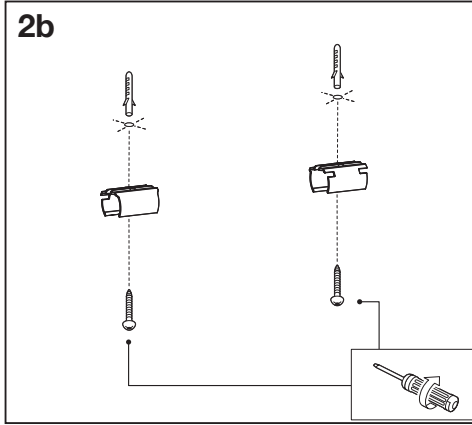
48 mm







2 x

26 mm

	L	W	H
TUBEKIT LED 8.9W	600	32	33.5
TUBEKIT LED 19W	1200	32	33.5
TUBEKIT LED 21.5W	1500	32	33.5





	EAN	This product contains a light source of energy efficiency class	Contained Light Source
TUBEKITLED06 8.9W/830 230V G5	4058075264991	E	
TUBEKITLED06 8.9W/840 230V G5	4058075265011	E	
TUBEKITLED12 19W/830 230V G5	4058075265035	E	
TUBEKITLED12 19W/840 230V G5	4058075265059	E	
TUBEKITLED15 21,5W/830 230V G5	4058075265073	E	
TUBEKITLED15 21,5W/840 230V G5	4058075265097	E	



C10449057
G11124145
25.06.2021



LEDVANCE GmbH
Steinerne Furt 62
86167 Augsburg, Germany
www.ledvance.com