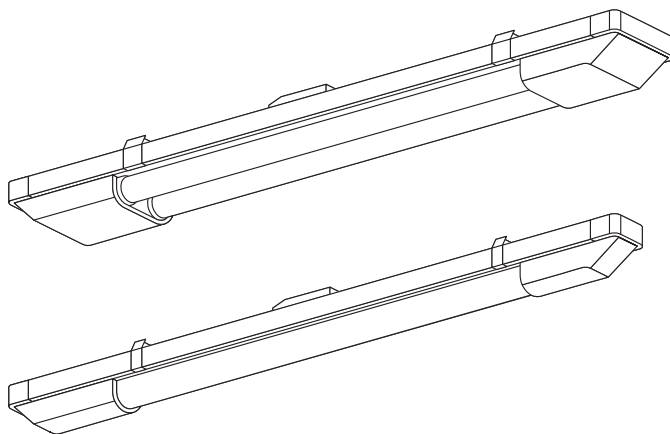

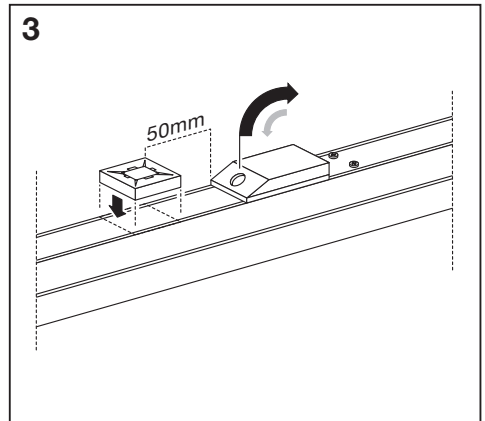
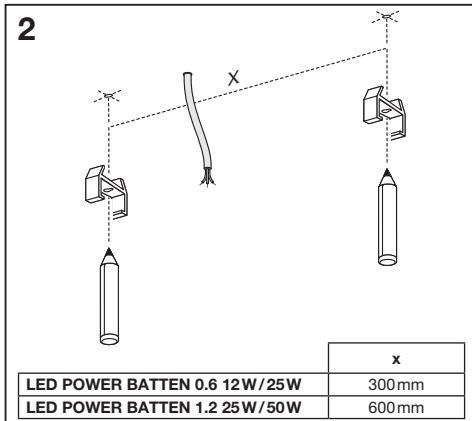
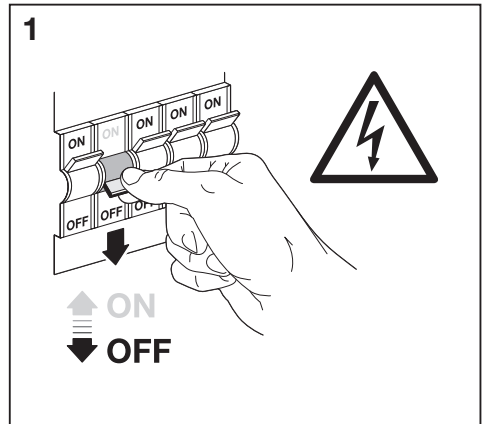
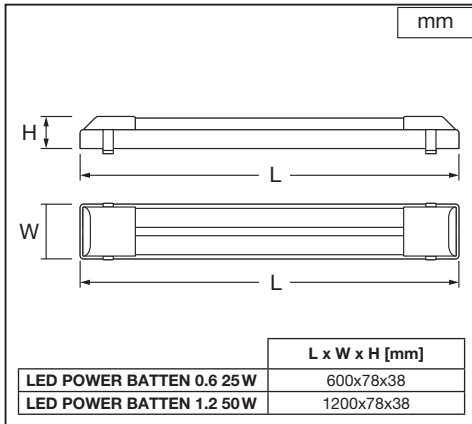
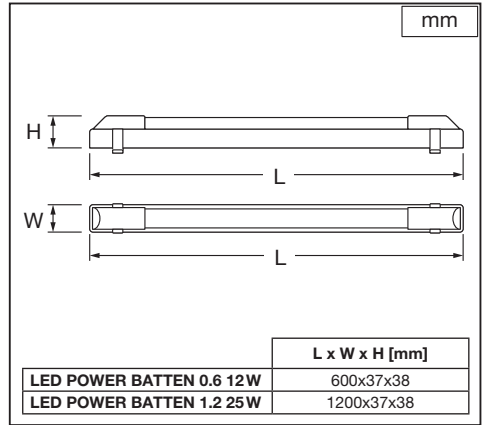
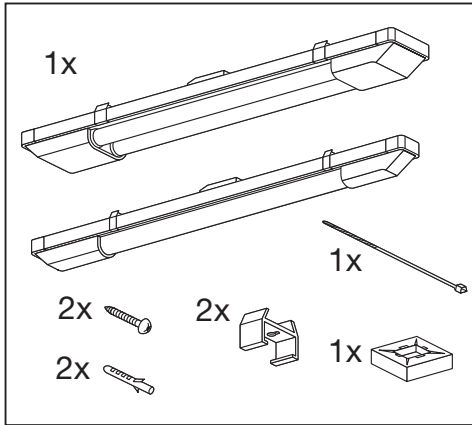
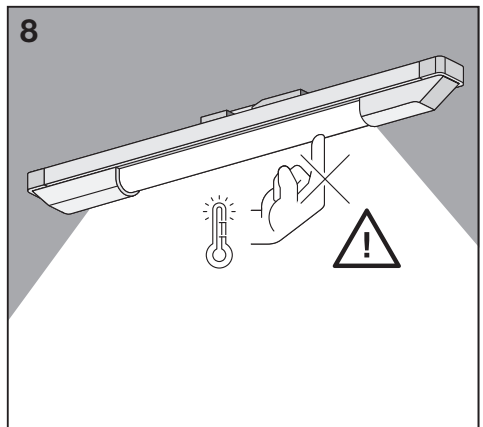
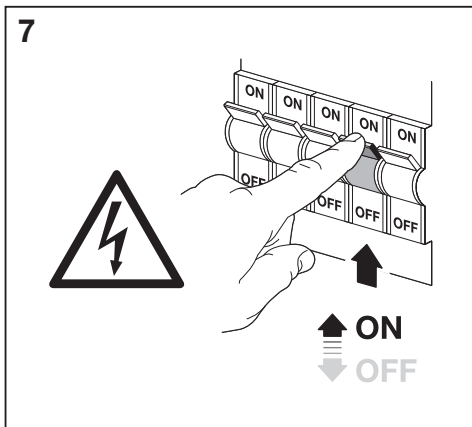
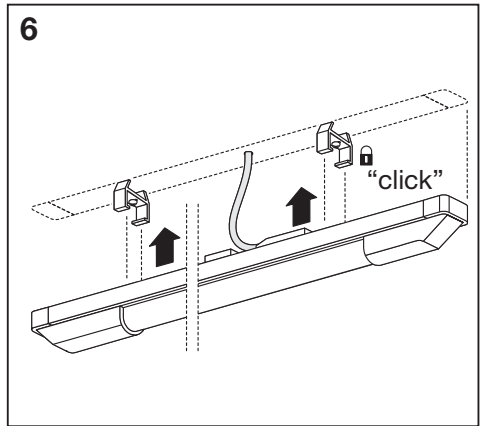
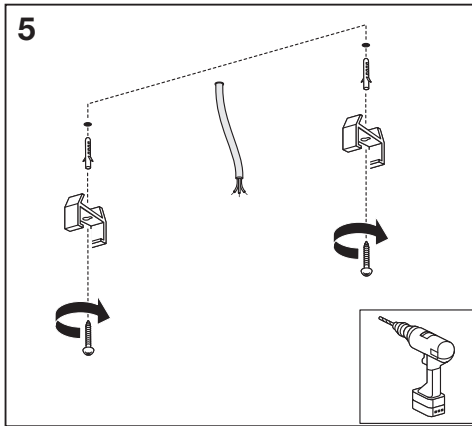
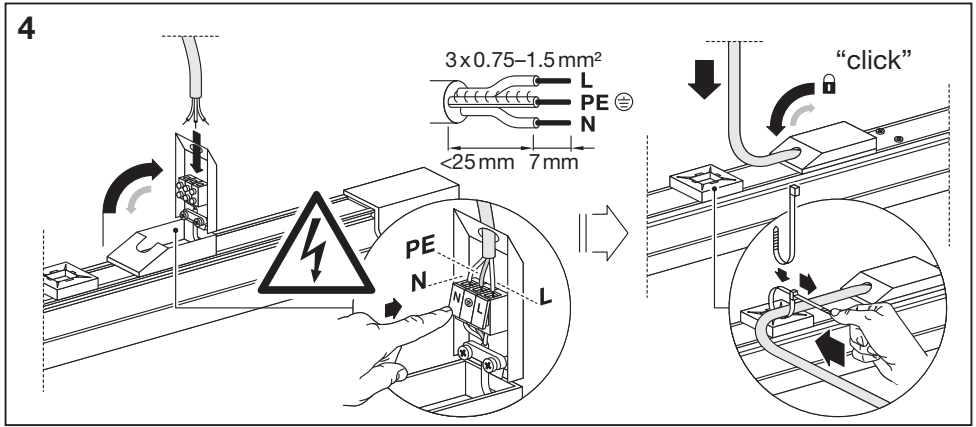

LED POWER BATTEN











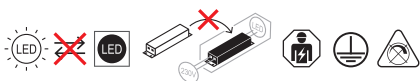
	EAN	W	lm	K	⊖ (°C)	V~	mA	Hz	PF	
LED POWER BATTEN 0.6 12W / 830	4058075266476	12	1260	3000	-20...+40	220-240	110	50/60	>0.5	210g
LED POWER BATTEN 0.6 12W / 840	4058075266490	12	1320	4000	-20...+40	220-240	110	50/60	>0.5	210g
LED POWER BATTEN 0.6 25W / 830	4058075266513	25	2375	3000	-20...+40	220-240	230	50/60	>0.5	500g
LED POWER BATTEN 0.6 25W / 840	4058075266537	25	2500	4000	-20...+40	220-240	230	50/60	>0.5	500g
LED POWER BATTEN 1.2 25W / 830	4058075266575	25	2600	3000	-20...+40	220-240	230	50/60	>0.5	375g
LED POWER BATTEN 1.2 25W / 840	4058075266599	25	2700	4000	-20...+40	220-240	230	50/60	>0.5	375g
LED POWER BATTEN 1.2 50W / 830	4058075266636	50	4845	3000	-20...+40	220-240	255	50/60	>0.9	985g
LED POWER BATTEN 1.2 50W / 840	4058075266667	50	5100	4000	-20...+40	220-240	255	50/60	>0.9	985g

LED POWER BATTEN





	EAN	This product contains a light source of energy efficiency class	Contained Light Source
LED POWER BATTEN 0.6 12W/830	4058075266476	E	
LED POWER BATTEN 0.6 12W/840	4058075266490	D	
LED POWER BATTEN 0.6 25W/830	4058075266513	E	Contains 2 light sources 
LED POWER BATTEN 0.6 25W/840	4058075266537	D	Contains 2 light sources 
LED POWER BATTEN 1.2 25W/830	4058075266575	E	
LED POWER BATTEN 1.2 25W/840	4058075266599	D	
LED POWER BATTEN 1.2 50W/830	4058075266636	E	Contains 2 light sources 
LED POWER BATTEN 1.2 50W/840	4058075266667	E	Contains 2 light sources 



C10449057
G11122752
16.08.2021



LEDVANCE GmbH
Steinerne Furt 62
86167 Augsburg, Germany
www.ledvance.com